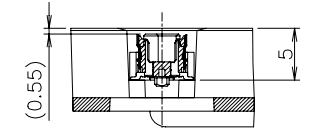
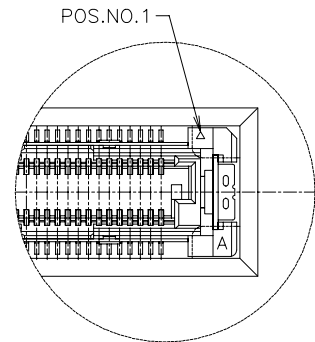
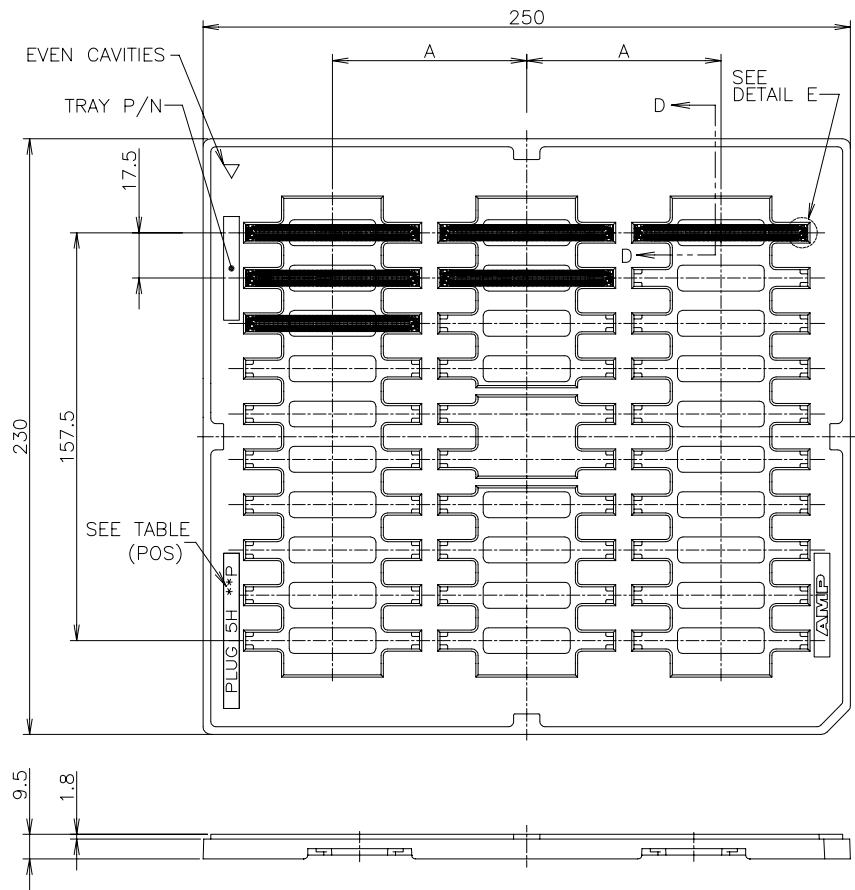


REVISIONS					
P	LTR	DESCRIPTION	DATE	DWN	APVD
D1		REVISED PER ECN-21-102735	21APR2021	A.L	H.L



**WITHOUT
CAP**

THIS DRAWING IS A CONTROLLED DOCUMENT.

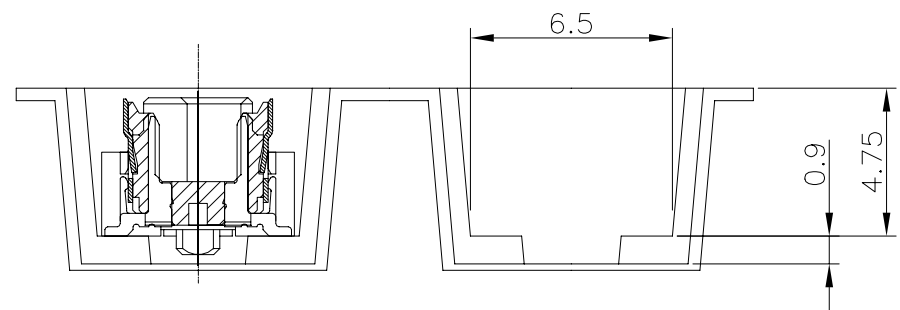
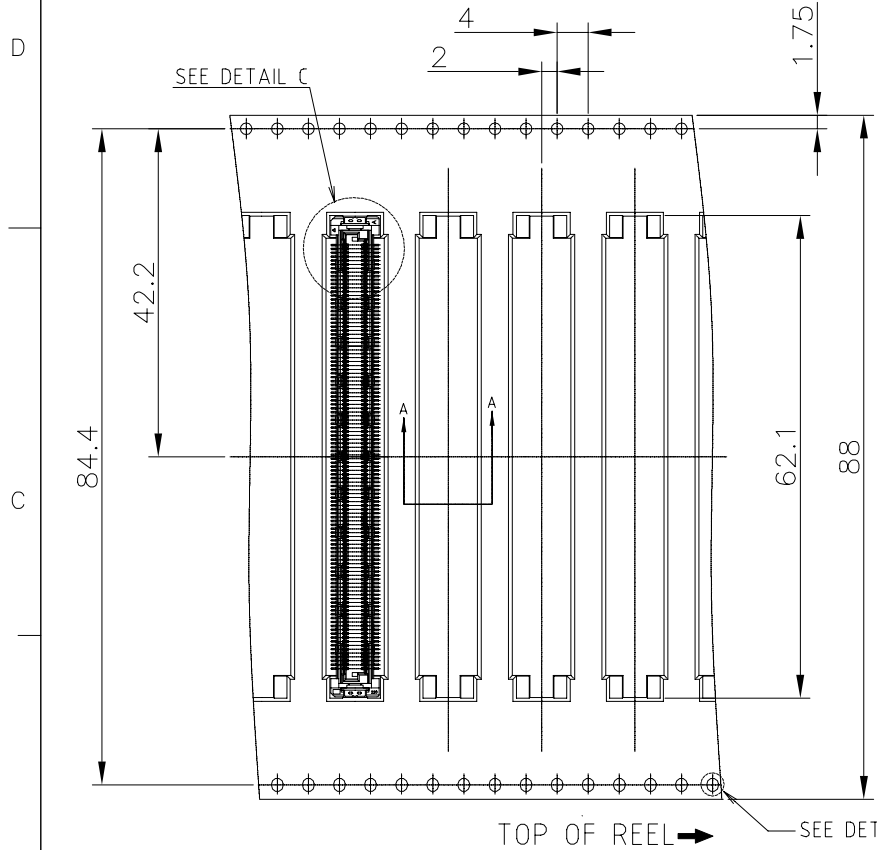
DIMENSIONS: MM		TOLERANCES UNLESS OTHERWISE SPECIFIED:	
		0 PLC	± 0.25
		1 PLC	± 0.15
		2 PLC	± 0.10
		3 PLC	± 0.05
		4 PLC	± 0.0250
		ANGLES	± 3'
MATERIAL		FINISH	

DWN S. CHIEN 18MAY05				
CHK T. FUTATSUGI 18MAY05				
APVD W. KODAMA 18MAY05	NAME			
PRODUCT SPEC 108-5560	APPLICATION SPEC			
WEIGHT	SIZE A3	CAGE CODE 00779	DRAWING NO C=1827253	RESTRICTED TO
CUSTOMER DRAWING	SCALE 1:2	SHEET 1 OF 5	REV D1	

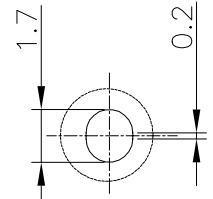
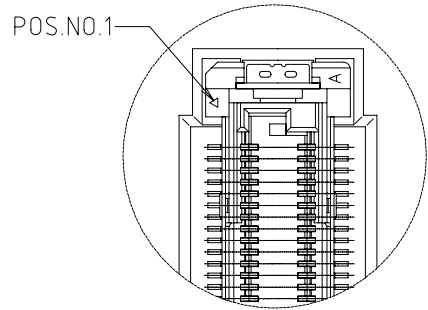


HARD TRAY PACKAGING
FH 0.5 BTB CONNECTOR 220POS
PLUG 5H WITH GROUND PLATE

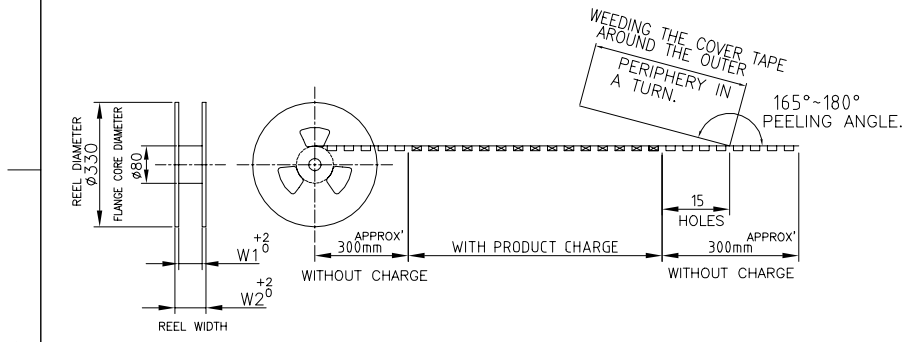
REVISIONS						
P	LTR	DESCRIPTION	DATE	DWN	APVD	
-	-	SEE SHEET 1	-	-	-	-



SECTION A-A
SCALE 4:1



DETAIL C
(SCALE 4:1)



WITHOUT CAP

△	NO	93.5	89.5	800	220	9-1827253-7
△	NO	93.5	89.5	800	220	4-1827253-6
FINISH	SEALANT SIF-200B	W2	W1	QTY/ REEL	POS	TAPING P/N

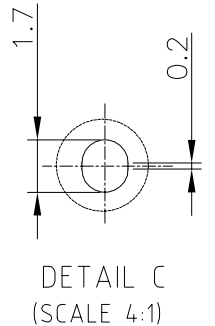
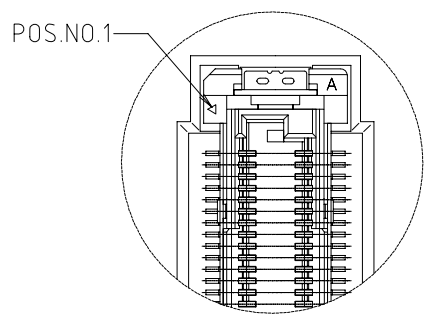
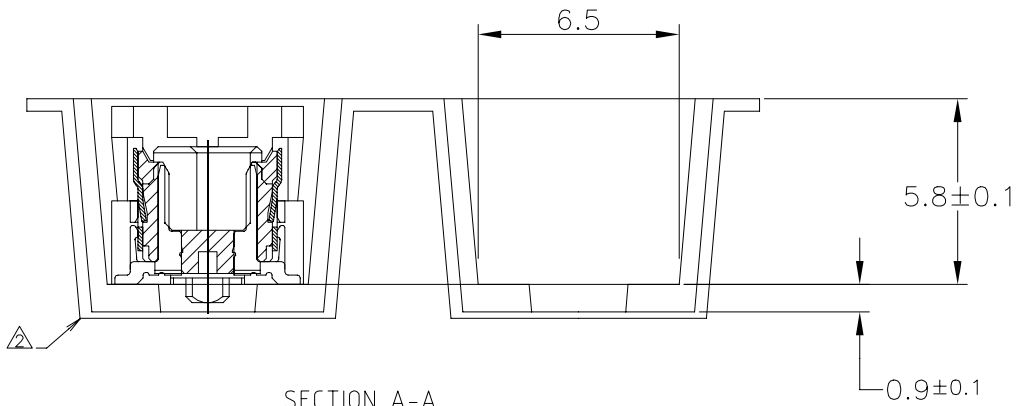
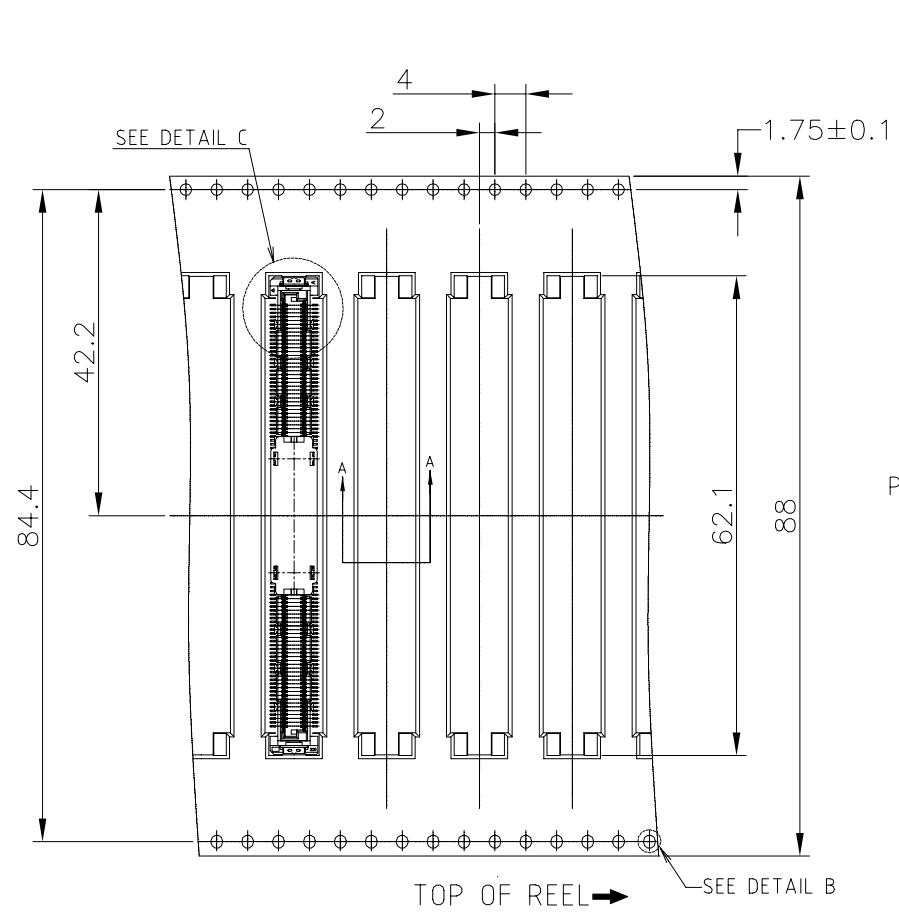
THIS DRAWING IS A CONTROLLED DOCUMENT.

DWN	S. CHIEN	18MAY05	TE Connectivity Ltd. ON TAPING EMBOSS FH 0.5 BTB CONNECTOR 220POS PLUG 5H WITH GROUND PLATE
CHK	T. FUTATSUGI	18MAY05	
APVD	W. KODAMA	18MAY05	
PRODUCT SPEC			
MATERIAL	FINISH	APPLICATION SPEC	NAME
		WEIGHT	SIZE
		CUSTOMER DRAWING	CAGE CODE
			DRAWING NO
			RESTRICTED TO
			SCALE
			SHEET
			REV

DIMENSIONS: MM
 TOLERANCES UNLESS OTHERWISE SPECIFIED:
 0 PLC ± 0.25
 1 PLC ± 0.15
 2 PLC ± 0.10
 3 PLC ± 0.05
 4 PLC ± 0.0250
 ANGLES ± 3°

A3 00779 C=1827253
 SCALE 1:2 SHEET 2 OF 5 REV D1

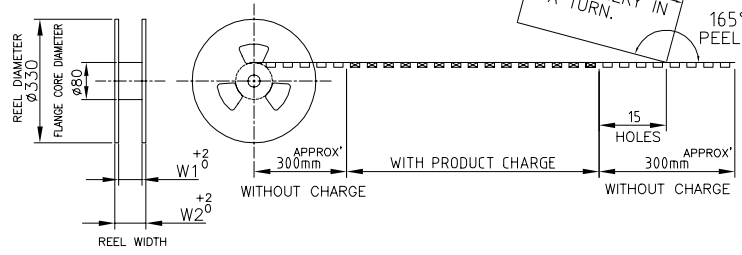
REVISIONS					
P	LTR	DESCRIPTION	DATE	DWN	APVD
-	-	SEE SHEET 1	-	-	-



WITH CAP

△	BLACK	NO	93.5	89.5	700	220	9-1827253-9
△	NATURE	NO	93.5	89.5	700	220	9-1827253-8
△	NATURE	NO	93.5	89.5	700	220	4-1827253-8
FINISH	CAP COLOR	SEALANT SIF-200B	W2	W1	QTY/ REEL	POS	TAPING P/N

WEEDING THE COVER TAPE AROUND THE OUTER PERIPHERY IN A TURN.
165°~180° PEELING ANGLE.



THIS DRAWING IS A CONTROLLED DOCUMENT.

DWN	S. CHIEN	18MAY05
CHK	T. FUTATSUGI	18MAY05
APVD	W. KODAMA	18MAY05
PRODUCT SPEC		
APPLICATION SPEC		
WEIGHT		
CUSTOMER DRAWING		

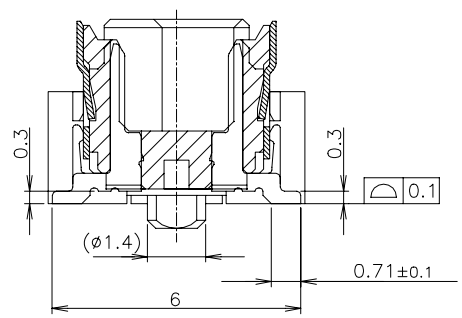
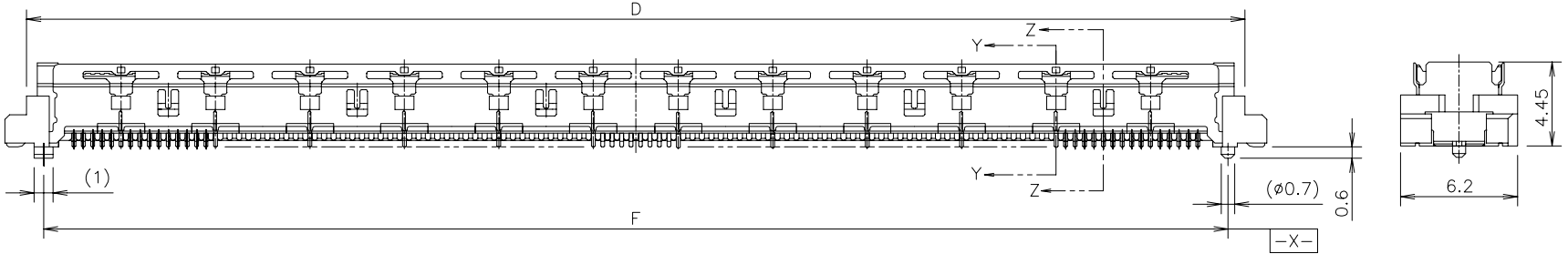
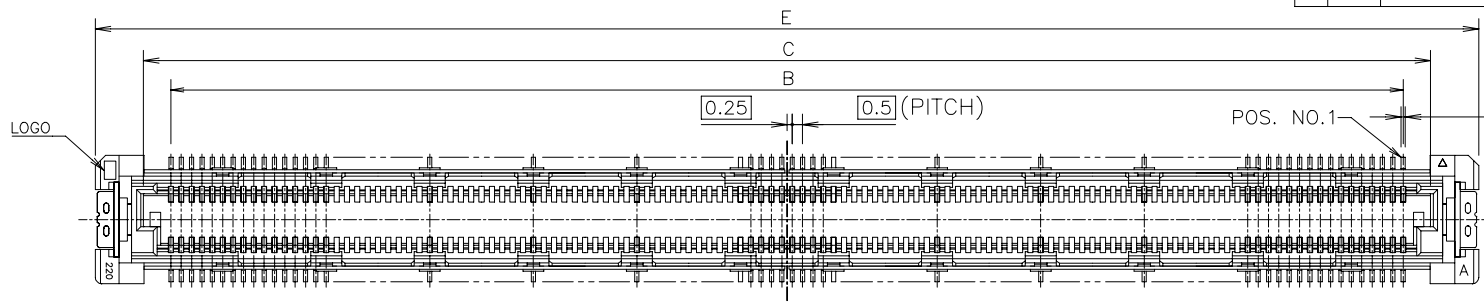
TE Connectivity Ltd.

ON TAPING EMBOSS
FH 0.5 BTB CONNECTOR 220POS
PLUG 5H WITH GROUND PLATE

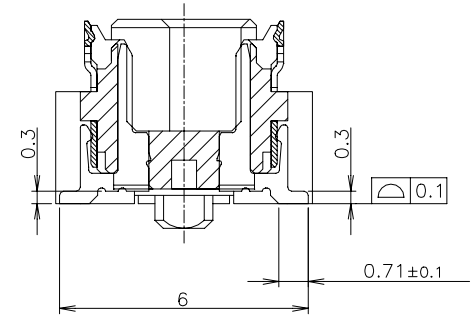
SIZE	CAGE CODE	DRAWING NO	RESTRICTED TO
A3	00779	C=1827253	-

SCALE 1:2 SHEET 3 of 5 REV D1

REVISIONS					
P	LTR	DESCRIPTION	DATE	DWN	APVD
-	-	SEE SHEET 1	-	-	-



SECT. Z-Z
(SIGNAL POSITION)
(SCALE 8:1)



SECT. Y-Y
(GROUND POSITION)
(SCALE 8:1)

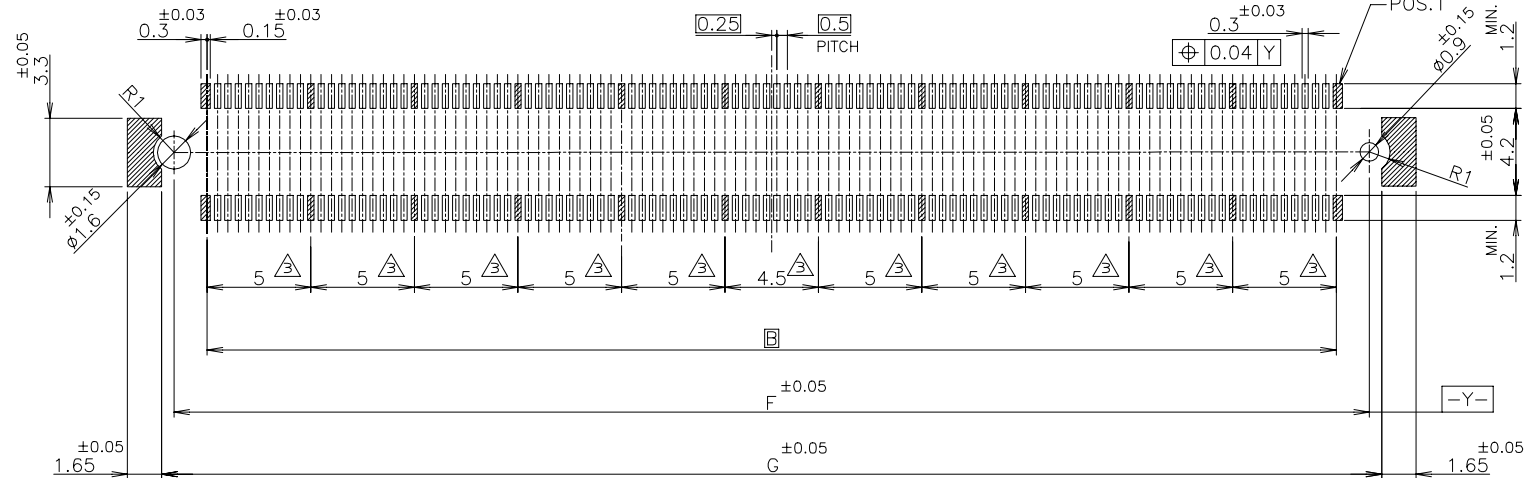
57.7	61.8	59.5	57.1	54.5	BLACK	220	9-1827253-9
57.7	61.8	59.5	57.1	54.5	BLACK	220	9-1827253-8
57.7	61.8	59.5	57.1	54.5	BLACK	220	9-1827253-7
57.7	61.8	59.5	57.1	54.5	BLACK	220	9-1827253-6
57.7	61.8	59.5	57.1	54.5	BLACK	220	4-1827253-8
57.7	61.8	59.5	57.1	54.5	BLACK	220	4-1827253-6
57.7	61.8	59.5	57.1	54.5	BLACK	220	3-1827253-6
F	E	D	C	B	CONN. COLOR	POS.	PART NO.

THIS DRAWING IS A CONTROLLED DOCUMENT.

DIMENSIONS: MM	TOLERANCES UNLESS OTHERWISE SPECIFIED: 0 PLC ± 0.25 1 PLC ± 0.15 2 PLC ± 0.10 3 PLC ± 0.05 4 PLC ± 0.0250 ANGLES ± 3°	DWN CHK APVD PRODUCT SPEC APPLICATION SPEC WEIGHT	TE Connectivity Ltd. NAME ASSEMBLY FH 0.5 BTB CONNECTOR 220POS PLUG 5H WITH GROUND PLATE
MATERIAL	FINISH	CUSTOMER DRAWING	SIZE: A3 CAGE CODE: 00779 DRAWING NO: C=1827253 RESTRICTED TO:
		SCALE: 4:1	SHEET: 4 OF 5
		REV: D1	

REVISIONS

P	LTR	DESCRIPTION	DATE	DWN	APVD
-	-	SEE SHEET 1	-	-	-



REFERENCE P.C.BOARD LAYOUT OF CONNECTOR

NOTES

- △ MATERIAL ; HOUSING: HIGH TEMP THERMO PLASTIC UL94V-0
CONTACT: COPPER ALLOY
SOLDER PEG : COPPER ALLOY
- △ FINISH ; SIGNAL CONTACT : UNDER PL. Ni 0.0013mm MIN ALL OVER
CONTACT AREA 0.0002mm MIN Au PL.
SOLDERING AREA 0.00005mm MIN Au PL.
GROUND CONTACT : UNDER PL. Ni 0.0013mm MIN ALL OVER
CONTACT AREA 0.0002mm MIN Au PL.
SOLDERING AREA 0.00005mm MIN Au
- SOLDER PEG: TIN PL. 0.0001mm MIN OVER
UNDER PL. Ni OR COPPER 0.0013mm MIN ALL OVER
- △ THIS POSITION IS GROUND CIRCUIT.
- △ HIGH TEMPERATURE VERSION.
- △ FINISH ; SIGNAL CONTACT : UNDER PL. Ni 0.0013mm MIN ALL OVER
CONTACT AREA 0.00076mm MIN Au PL.
SOLDERING AREA 0.00005mm MIN Au PL.
- GROUND CONTACT : UNDER PL. Ni 0.0013mm MIN ALL OVER
CONTACT AREA 0.00076mm MIN Au PL.
SOLDERING AREA 0.00005mm MIN Au
- SOLDER PEG: TIN PL. 0.0001mm MIN OVER
UNDER PL. Ni OR COPPER 0.0013mm

59.5	220	9-1827253-9
59.5	220	9-1827253-8
59.5	220	9-1827253-7
59.5	220	9-1827253-6
59.5	220	4-1827253-8
59.5	220	4-1827253-6
59.5	220	3-1827253-6
G	POS.	PART NO.

THIS DRAWING IS A CONTROLLED DOCUMENT.		DWN	TE Connectivity Ltd.	
		CHK		
DIMENSIONS: MM		APVD	NAME	
TOLERANCES UNLESS OTHERWISE SPECIFIED:		PRODUCT SPEC	ASSEMBLY	
0 PLC ± 0.25		APPLICATION SPEC	FH 0.5 BTB CONNECTOR 220POS	
1 PLC ± 0.15		WEIGHT	PLUG 5H WITH GROUND PLATE	
2 PLC ± 0.10		CUSTOMER DRAWING	SIZE	RESTRICTED TO
3 PLC ± 0.05			A3	
4 PLC ANGLES ± 0.0250 ± 3'			CAGE CODE	DRAWING NO
MATERIAL			00779	G=1827253
FINISH			SCALE	SHEET
			4:1	5 of 5
			REV	D1

X-ON Electronics

Largest Supplier of Electrical and Electronic Components

Click to view similar products for [Board to Board & Mezzanine Connectors](#) category:

Click to view products by [TE Connectivity](#) manufacturer:

Other Similar products are found below :

[589158040000018](#) [MDF7C-18P-2.54DSA\(55\)](#) [FCN-230C068-11](#) [FCN-268F012-G/BD](#) [FCN-268F036-G/BD](#) [FCN-268M012-G/0D](#) [FCN-268M024-G/1D](#) [FCN-723J004/1](#) [MIS-048-01-F-D-DP-K](#) [832-10-034-10-001000](#) [FX4C-80S-1.27DSA](#) [FCN-214Q030-G/0](#) [FCN-234P048-G/0](#) [FCN-235D050-G/C](#) [210-93-314-41-105000](#) [2-22603-0](#) [MDF7-40DP-2.54DSA\(55\)](#) [AXG720047](#) [5031084030](#) [MIT-114-03-F-D-K](#) [55323-1519](#) [DF33-2P-3.3DSA\(24\)](#) [YFT-20-05-H-03-SB-K](#) [503308-3040](#) [026-6203-PDB](#) [027-6203-PDB](#) [069159702701000](#) [10123981-102LF](#) [101A10019X](#) [55650-0588-C](#) [68682-310LF](#) [68684-306](#) [75140-7012](#) [87471-650](#) [194261-1](#) [FCN-268F024-G0D](#) [10124054-515LF](#) [68685-603](#) [8-1616154-3](#) [MIS-019-01-F-D](#) [FCN-268M024-G/3D](#) [20021832-06016C1LF](#) [KX15-20KLDL-E1000E](#) [MDF7-16DP-2.54DSA\(55\)](#) [AXE810124](#) [FCN-214J100-G/0](#) [FCN-230C068-E/S](#) [AXE812124](#) [AXE816124](#) [AXE720127](#)