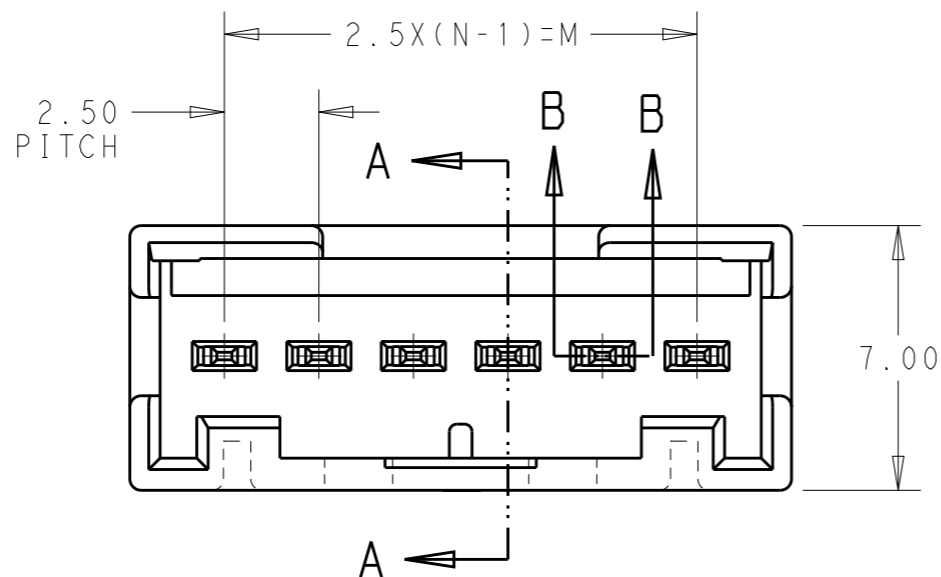
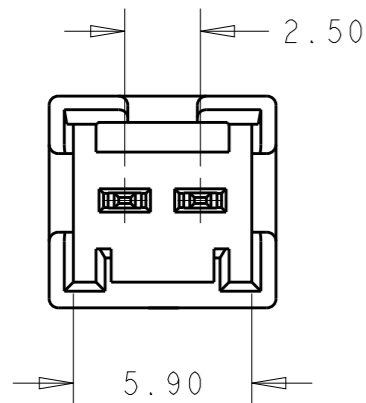
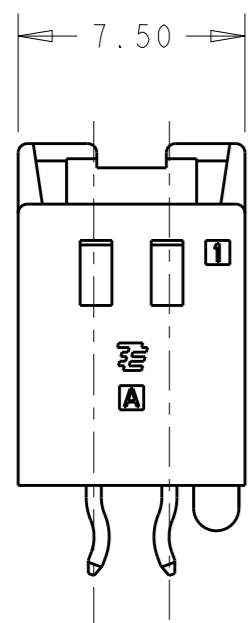


THIS DRAWING IS UNPUBLISHED. RELEASED FOR PUBLICATION 20  
 © COPYRIGHT 2018 BY - TE CONNECTIVITY ALL RIGHTS RESERVED.

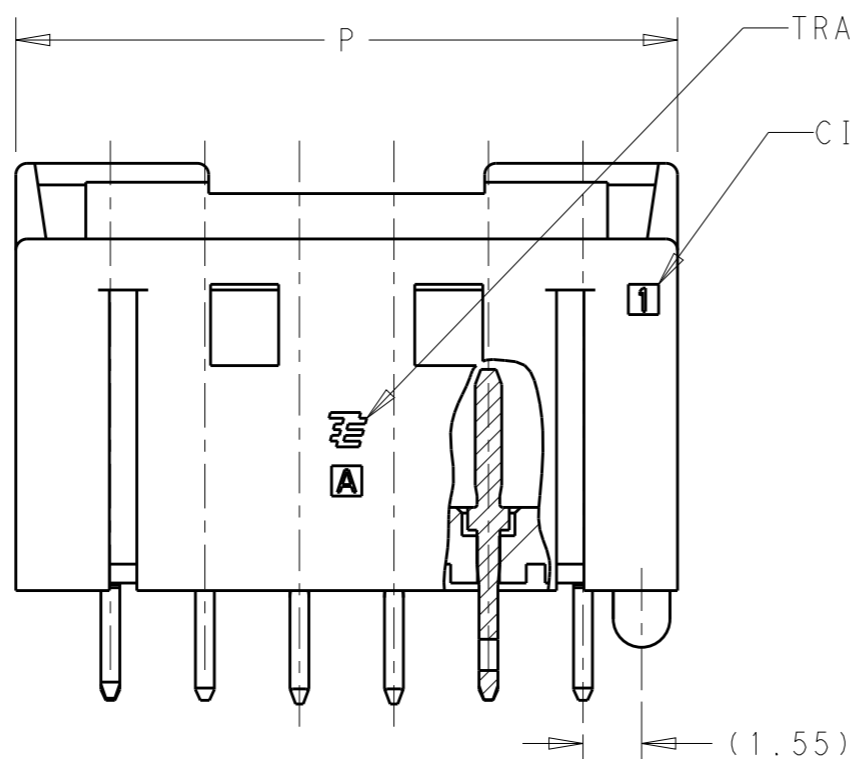
REVISIONS					
P	LTR	DESCRIPTION	DATE	DWN	APVD
	J	REVISED PER ECR-18-009764	25SEP2018	BW	CX



- 1 GENERAL TOLERANCE:  $\pm 0.3$ ,  $\pm 3^\circ$
- 2 MATERIAL: 66NYLON GF (UL94V-0)
- 3 MATING CONN. P/N: SEE TABLE
- 4 APPLICABLE PCB HOLE DIA:  $\varnothing A$   
 PUNCHED HOLE:  $0.7^{+0.1}_0$   
 DRILLED HOLE:  $0.9 \pm 0.05$

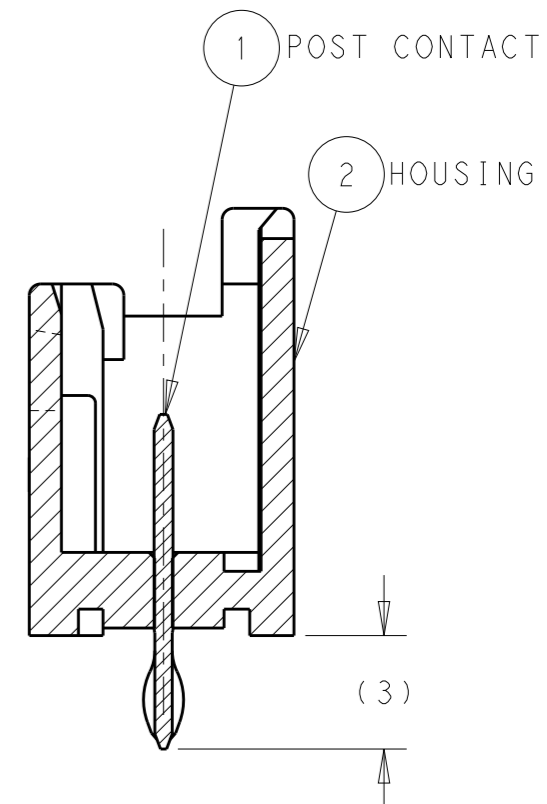
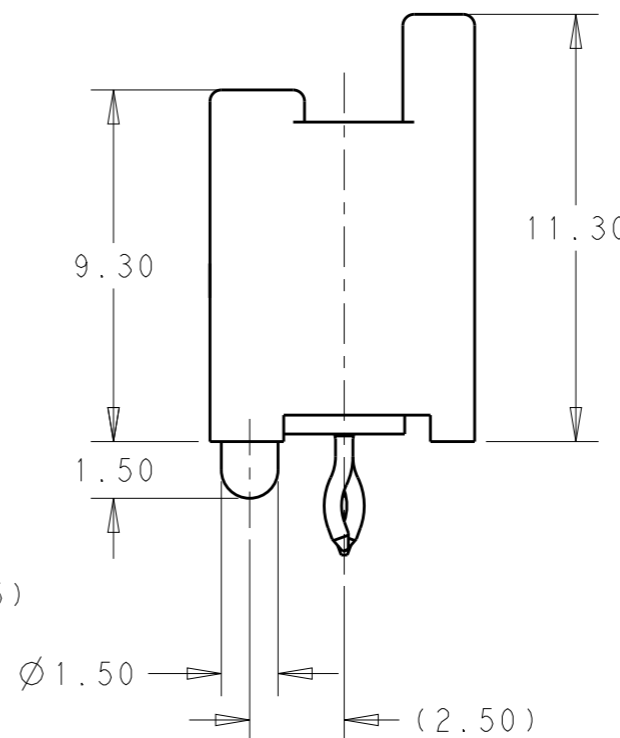


2 POS



SECTION B-B

6 POS



SECTION A-A

FOR PART NO. SEE SHEET 3 OF 4, 4 OF 4

NO.	NAME	MATERIAL
1	POST CONTACT	BRASS, FINISH: TIN, OVER NI
2	HDR HOUSING	66 NYLON GF UL94V-0

THIS DRAWING IS A CONTROLLED DOCUMENT.

DIMENSIONS: mm	TOLERANCES UNLESS OTHERWISE SPECIFIED:
	0 PLC $\pm$
	1 PLC $\pm$
	2 PLC $\pm$
	3 PLC $\pm$
	4 PLC $\pm$
	ANGLES $\pm$
MATERIAL SEE NOTE	FINISH
	-
	-

DWN	LILY LIU	29JAN08
CHK	A. OISHI	29JAN08
APVD	S. MANABE	29JAN08
PRODUCT SPEC	108-78307	
APPLICATION SPEC	114-5359	
WEIGHT	-	
CUSTOMER DRAWING		

TE Connectivity		NAME	
		GRACE INERTIA CONNECTOR 2.5 HDR ASSY TIN VERSION	
SIZE	CAGE CODE	DRAWING NO	RESTRICTED TO
A3	00779	C-1871843	-
SCALE		SHEET	REV
4:1		1 OF 4	J

THIS DRAWING IS UNPUBLISHED.

RELEASED FOR PUBLICATION

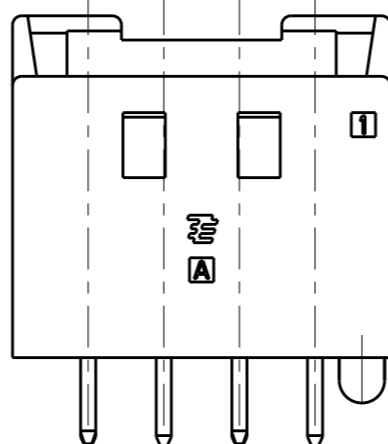
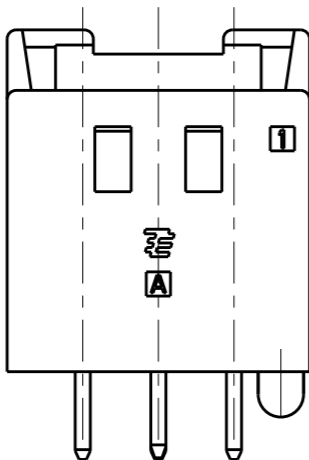
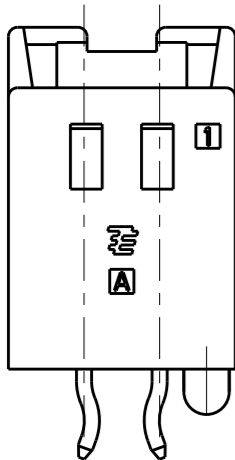
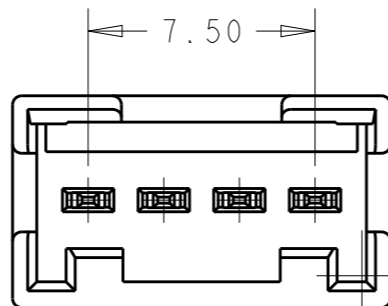
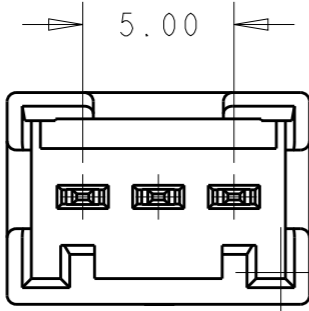
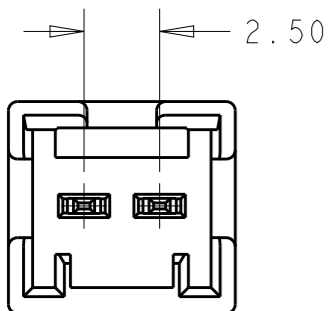
20

© COPYRIGHT 2018 BY - TE CONNECTIVITY

ALL RIGHTS RESERVED.

REVISIONS

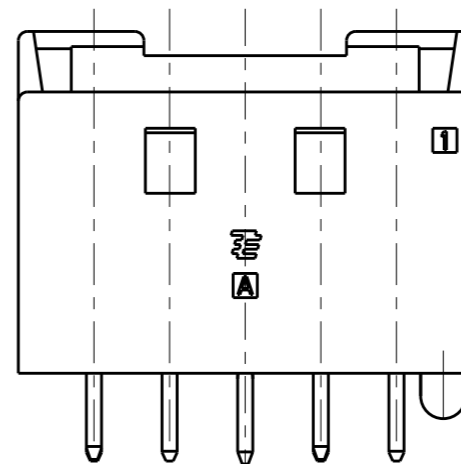
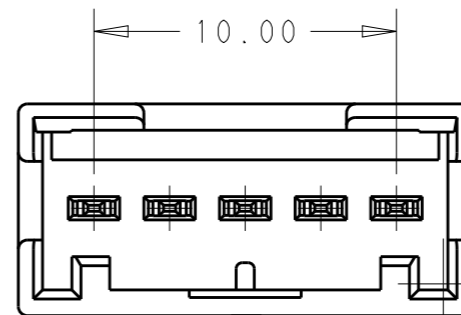
P	LTR	DESCRIPTION	DATE	DWN	APVD
-	-	SEE SHEET 1	-	-	-



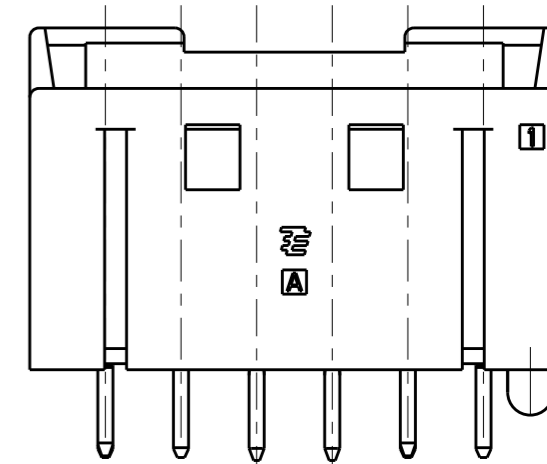
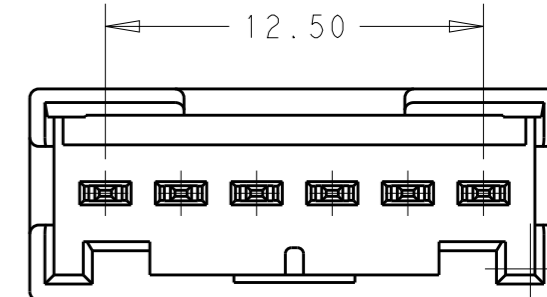
2 POS

3 POS

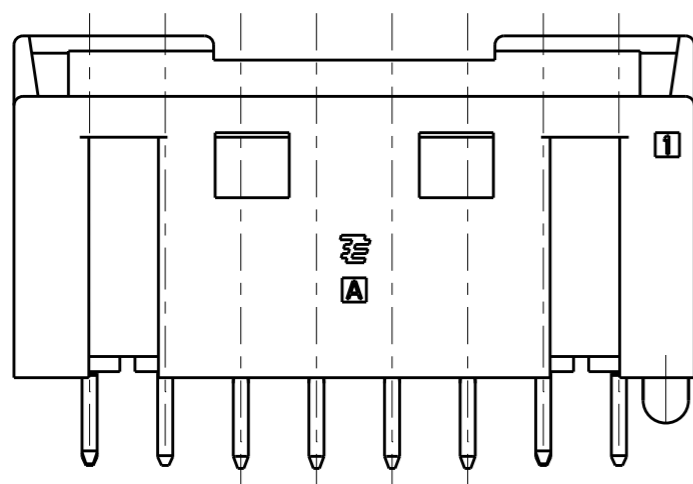
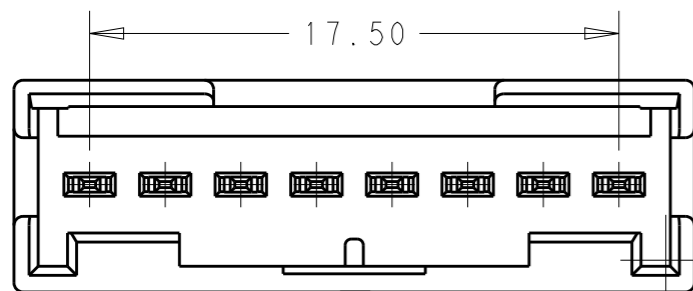
4 POS



5 POS



6 POS



8 POS

THIS DRAWING IS A CONTROLLED DOCUMENT.

DIMENSIONS: mm		TOLERANCES UNLESS OTHERWISE SPECIFIED:	
		0 PLC	±-
		1 PLC	±-
		2 PLC	±-
		3 PLC	±-
		4 PLC	±-
MATERIAL SEE NOTE		ANGLES	±-
		FINISH	-

DWN	LILY LIU	29JAN08
CHK	A. OISHI	29JAN08
APVD	S. MANABE	29JAN08
PRODUCT SPEC	108-78307	
APPLICATION SPEC	114-5359	
WEIGHT	-	
CUSTOMER DRAWING		



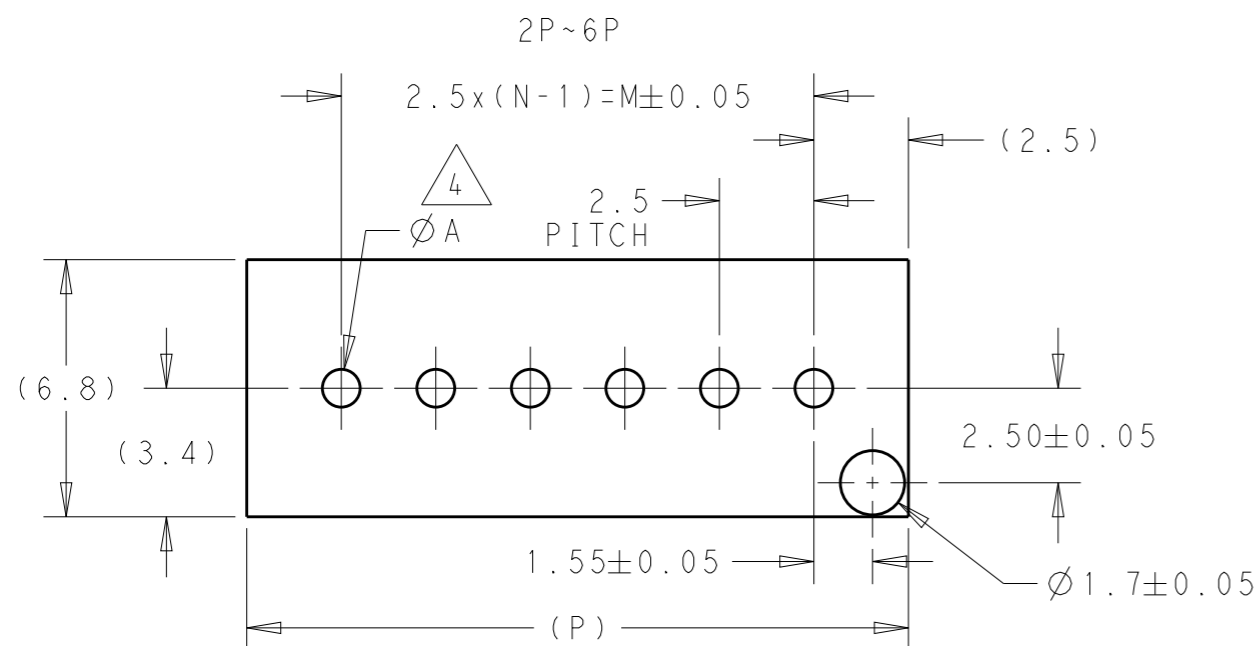
NAME GRACE INERTIA CONNECTOR 2.5 HDR ASSY TIN VERSION				RESTRICTED TO
SIZE	CAGE CODE	DRAWING NO		
A3	00779	C-1871843		
SCALE	SHEET	OF	REV	
4:1	2	4	J	

THIS DRAWING IS UNPUBLISHED. RELEASED FOR PUBLICATION 20

© COPYRIGHT 2018 BY - TE CONNECTIVITY ALL RIGHTS RESERVED.

REVISIONS

P	LTR	DESCRIPTION	DATE	DWN	APVD
-		SEE SHEET 1	-	-	-



MATING CONN P/N	8	7	6	5	4	3	2	1	HOUSING POS	M	N	P	BOSS	COLOR	POS	PITCH	PART NUMBER
X-1747066-6	*	*	*	*	*	*	*	*	6	12.5	6	17.5	WITH	BLUE	6	2.50	2-1871843-6
	*	*	*	*	*	*	*	*	6	12.5	6	17.5	WITH	RED	6	2.50	1-1871843-6
	*	*	*	*	*	*	*	*	6	12.5	6	17.5	WITH	NATURAL	6	2.50	1871843-6
X-1747066-5	*	*	*	*	*	*	*	*	5	10	5	15.0	WITH	YELLOW	5	2.50	3-1871843-5
	*	*	*	*	*	*	*	*	5	10	5	15.0	WITH	BLUE	5	2.50	2-1871843-5
	*	*	*	*	*	*	*	*	5	10	5	15.0	WITH	RED	5	2.50	1-1871843-5
X-1747066-4	*	*	*	*	*	*	*	*	5	10	5	15.0	WITH	NATURAL	5	2.50	1871843-5
	*	*	*	*	*	*	*	*	4	7.5	4	12.5	WITH	NATURAL	4	2.50	1871843-4
	*	*	*	*	*	*	*	*	4	7.5	4	12.5	WITH	NATURAL	4	2.50	1871843-4
X-1747066-3	*	*	*	*	*	*	*	*	3	5	3	10.0	WITH	YELLOW	3	2.50	3-1871843-3
	*	*	*	*	*	*	*	*	3	5	3	10.0	WITH	BLUE	3	2.50	2-1871843-3
	*	*	*	*	*	*	*	*	3	5	3	10.0	WITH	RED	3	2.50	1-1871843-3
X-1747066-2	*	*	*	*	*	*	*	*	3	5	3	10.0	WITH	NATURAL	3	2.50	1871843-3
	*	*	*	*	*	*	*	*	2	2.5	2	7.5	WITH	BLACK	2	2.50	4-1871843-2
	*	*	*	*	*	*	*	*	2	2.5	2	7.5	WITH	YELLOW	2	2.50	3-1871843-2
X-1747066-2	*	*	*	*	*	*	*	*	2	2.5	2	7.5	WITH	BLUE	2	2.50	2-1871843-2
	*	*	*	*	*	*	*	*	2	2.5	2	7.5	WITH	RED	2	2.50	1-1871843-2
	*	*	*	*	*	*	*	*	2	2.5	2	7.5	WITH	NATURAL	2	2.50	1871843-2

POST CONATCT POSITION  
 \* : POST CONATCT,  
 - : VACANCY

THIS DRAWING IS A CONTROLLED DOCUMENT.

DIMENSIONS: mm	TOLERANCES UNLESS OTHERWISE SPECIFIED:
	0 PLC ±-
	1 PLC ±-
	2 PLC ±-
	3 PLC ±-
	4 PLC ±-
	ANGLES ±-
MATERIAL SEE NOTE	FINISH -

DWN LILY LIU 29JAN08	
CHK A. OISHI 29JAN08	
APVD S. MANABE 29JAN08	
PRODUCT SPEC 108-78307	
APPLICATION SPEC 114-5359	NAME GRACE INERTIA CONNECTOR 2.5 HDR ASSY TIN VERSION
WEIGHT -	SIZE A3
CUSTOMER DRAWING	CAGE CODE 00779
	DRAWING NO 1871843
	RESTRICTED TO -
	SCALE 4:1
	SHEET 3 OF 4
	REV J

THIS DRAWING IS UNPUBLISHED.

RELEASED FOR PUBLICATION

20

© COPYRIGHT 2018

BY - TE CONNECTIVITY

ALL RIGHTS RESERVED.

REVISIONS

P	LTR	DESCRIPTION	DATE	DWN	APVD
-		SEE SHEET 1	-	-	-

X-1747066-6			*	*	-	*	-	*	6	12.5	6	17.5	WITH	NATURAL	4	2.5/5.0	2069625-1	
X-1747066-4					*	-	-	*	4	7.5	4	12.5	WITH	NATURAL	4	2.50	2134303-1	
X-1747066-3						*	-	*	3	5.0	3	10.0	WITH	NATURAL	2	5.00	2013523-1	
X-1747066-8	*	*	*	*	*	*	*	*	8	17.5	8	22.5	WITH	YELLOW	8	2.50	3-1871843-8	
	*	*	*	*	*	*	*	*	8	17.5	8	22.5	WITH	BLUE	8	2.50	2-1871843-8	
	*	*	*	*	*	*	*	*	8	17.5	8	22.5	WITH	RED	8	2.50	1-1871843-8	
	*	*	*	*	*	*	*	*	8	17.5	8	22.5	WITH	NATURAL	8	2.50	1871843-8	
MATING CONN P/N	8	7	6	5	4	3	2	1	HOUSING POS	M	N	P	BOSS	COLOR	POS	PITCH	PART NUMBER	
	CIRCUIT NO.																	

POST CONATCT POSITION  
 \*: POST CONATCT,  
 -: VACANCY

THIS DRAWING IS A CONTROLLED DOCUMENT.

DIMENSIONS:	TOLERANCES UNLESS OTHERWISE SPECIFIED:
mm	
	0 PLC ±-
	1 PLC ±-
	2 PLC ±-
	3 PLC ±-
	4 PLC ±-
	ANGLES ±-
MATERIAL	FINISH
SEE NOTE	-
-	-

DWN	LILY LIU	29JAN08
CHK	A. OISHI	29JAN08
APVD	S. MANABE	29JAN08
PRODUCT SPEC	108-78307	
APPLICATION SPEC	114-5359	
WEIGHT	-	
CUSTOMER DRAWING		

NAME GRACE INERTIA CONNECTOR 2.5 HDR ASSY TIN VERSION			
SIZE	CAGE CODE	DRAWING NO	RESTRICTED TO
A3	00779	C=1871843	-
SCALE		SHEET	REV
4:1		4 OF 4	J

## X-ON Electronics

Largest Supplier of Electrical and Electronic Components

*Click to view similar products for [Headers & Wire Housings](#) category:*

*Click to view products by [TE Connectivity](#) manufacturer:*

Other Similar products are found below :

[892-18-020-10-001101](#) [58102-G61-06LF](#) [582553-1](#) [0009485154](#) [009176003701906](#) [0050291907](#) [LY20-4P-DT1-P1E-BR](#) [02.125.8002.8](#)  
[609-3404](#) [61062-3](#) [61082-181009](#) [622-3653LF](#) [63453-116](#) [636-1030](#) [636-1427](#) [636-3427](#) [636-4007](#) [641938-9](#) [641991-4](#) [644827-2](#) [65817-](#)  
[010LF](#) [65817-015LF](#) [65863-015LF](#) [66207-023LF](#) [67095-007LF](#) [67601157](#) [68645-018](#) [68648-049](#) [70.362.1628.0](#) [70-4210](#) [70-4226B](#) [70-](#)  
[4853B](#) [707-5020](#) [707-5028](#) [71.350.2428.0](#) [71918-208LF](#) [71961-016LF](#) [733-134](#) [733-162](#) [754199-000](#) [760-3052](#) [787-8014-00](#) [79531-3000](#)  
[FCN-360C032-B](#) [FCN-367T-T012/H](#) [FCN-723D010/2](#) [80.063.4001.1](#) [800-90-001-10-001000](#) [800-90-010-10-002000](#) [801-43-002-10-013000](#)