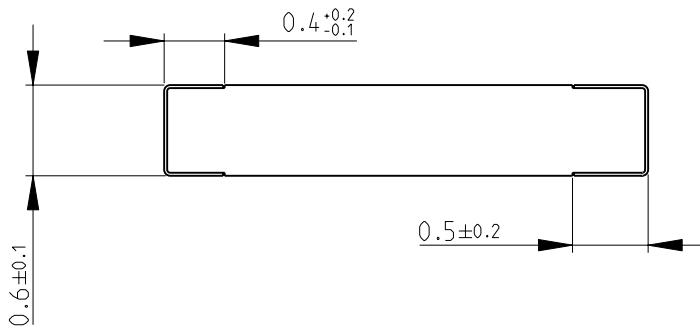
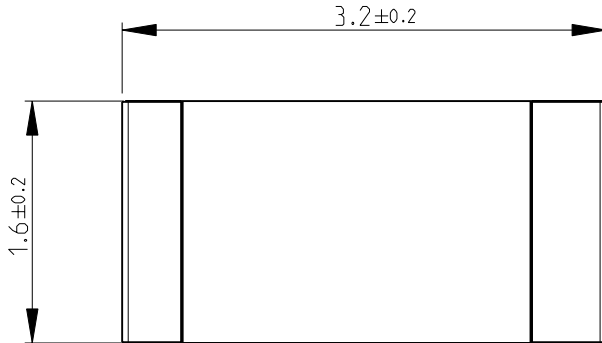
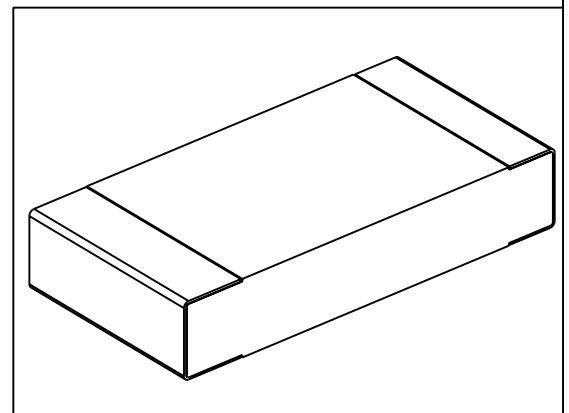


|     |      |           |     |             |           |     |      |
|-----|------|-----------|-----|-------------|-----------|-----|------|
| LOC | DIST | REVISIONS |     |             |           |     |      |
| E   | B    | P         | LTR | DESCRIPTION | DATE      | DWN | APVD |
|     |      | BA        |     | NEW RELEASE | 04MAY2010 | PT  | St.P |

FOR FURTHER INFORMATION SEE DATA SHEET FOR  
RP73 SERIES-SMD HIGH POWER PRECISION RESISTORS



RoHS Compliant



2008

RELEASED FOR PUBLICATION

THIS DRAWING IS UNPUBLISHED.

© COPYRIGHT 2008 BY TYCO ELECTRONICS CORPORATION. ALL RIGHTS RESERVED.

|                                        |                  |             |           |                                                          |            |               |        |
|----------------------------------------|------------------|-------------|-----------|----------------------------------------------------------|------------|---------------|--------|
| DIMENSIONS:<br>mm                      | DWN              | PARUSURAM.T | 04MAY2010 | MATERIAL                                                 | -          | FINISH        | -      |
|                                        | CHK              | SUBHASH.M   | 04MAY2010 | Tyco Electronics Corporation<br>Dorcan, Swindon, SN3 5HH |            |               |        |
| TOLERANCES UNLESS OTHERWISE SPECIFIED: | APVD             | STEPHEN.P   | 04MAY2010 |                                                          |            |               |        |
| 0 PLC ±0.2                             | PRODUCT SPEC     | -           | NAME      | SMD HIGH POWER PRECISION RESISTORS<br>SERIES RP73 - 2B   |            |               |        |
| 1 PLC ±0.1                             | APPLICATION SPEC | -           | SIZE      | CAGE CODE                                                | DRAWING NO | RESTRICTED TO |        |
| 2 PLC ±                                | WEIGHT           | -           | A 4       | 00779                                                    | ©= 1879255 | -             |        |
| 3 PLC ±                                |                  |             |           |                                                          |            |               |        |
| 4 PLC ±                                |                  |             |           |                                                          |            |               |        |
| ANGLES ±5°                             |                  |             |           |                                                          |            |               |        |
|                                        | CUSTOMER DRAWING |             |           | SCALE                                                    | 20:1       | SHEET         | 1 OF 1 |
|                                        |                  |             |           |                                                          |            |               | REV BA |

## X-ON Electronics

Largest Supplier of Electrical and Electronic Components

*Click to view similar products for [Thin Film Resistors - SMD category](#):*

*Click to view products by [TE Connectivity manufacturer](#):*

Other Similar products are found below :

[7-2176089-6](#) [MCW0406MD1001DP500](#) [FCR1206J22R](#) [FCR1206J33R](#) [1-2176090-3](#) [1-2176089-6](#) [ERA-3EEB2742V](#)  
[NCSR250F4M50DTRGF](#) [2176089-1](#) [2176090-4](#) [2176091-3](#) [CPA2512Q6R80FS-T10](#) [4-1625868-7](#) [5-1625868-9](#) [5-18022-5](#) [ERA-](#)  
[3EEB2671V](#) [CFR0W4J0220A2P](#) [P1206Y1804FNNTA](#) [CPA2512E68R0FS-T10](#) [CPA2512Q4R70FS-T10](#) [8-2176091-9](#) [2-2176091-0](#)  
[NCSR150FR003DTRT3F](#) [NTR06B5832CTRF](#) [NCSR200JR002DTRF](#) [RSJ372NL](#) [NRC-S12F4751TRF](#) [8-1625868-1](#) [1-2176092-4](#) [4-](#)  
[2176093-9](#) [2176091-9](#) [RT1220P-101-M](#) [PLTU0805U1003LST5](#) [PLTU0603U2001LST5](#) [PLTU0805U1001LST5](#) [PLTU0603U4702LST5](#) [4-](#)  
[2176089-0](#) [8-2176091-0](#) [6-2176091-8](#) [3-2176090-3](#) [1-2176092-7](#) [7-2176092-6](#) [7-2176088-7](#) [PCNM2512E1502BST5](#) [2-2176094-5](#)  
[PCNM2512E3012BST5](#) [4-2176092-6](#) [3-2176091-4](#) [8-2176091-5](#) [7-2176089-5](#)