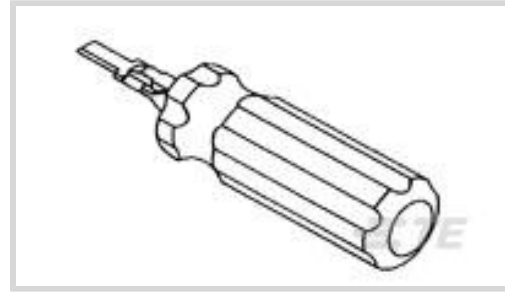




Application Tooling > Insertion & Extraction Tools



Insertion & Extraction Tool Type: **Contact Extraction**

Insertion & Extraction Tool Application: **Contact-to-Housing**

Features

Product Type Features

Insertion & Extraction Tool Type	Contact Extraction
Insertion & Extraction Tool Application	Contact-to-Housing

Product Compliance

[For compliance documentation, visit the product page on TE.com>](#)

EU RoHS Directive 2011/65/EU	Out of Scope
EU ELV Directive 2000/53/EC	Out of Scope
China RoHS 2 Directive MIIT Order No 32, 2016	Not reviewed for China RoHS compliance
EU REACH Regulation (EC) No. 1907/2006	Current ECHA Candidate List: JAN 2021 (211) Candidate List Declared Against: JUN 2018 (191) SVHC > Threshold: Not Yet Reviewed
Halogen Content	Not Yet Reviewed for halogen content
Solder Process Capability	Not applicable for solder process capability

Product Compliance Disclaimer

This information is provided based on reasonable inquiry of our suppliers and represents our current actual knowledge based on the information they provided. This information is subject to change. The part numbers that TE has identified as EU RoHS compliant have a maximum concentration of 0.1% by weight in homogenous materials for lead, hexavalent chromium, mercury, PBB, PBDE, DBP, BBP, DEHP, DIBP, and 0.01% for cadmium, or qualify for an exemption to these limits as defined in the Annexes of Directive 2011/65/EU (RoHS2). Finished electrical and electronic equipment products will be CE marked as required by Directive 2011/65/EU. Components may not be CE marked. Additionally, the part numbers that TE has identified as EU ELV compliant have a maximum concentration of 0.1% by weight in homogenous materials for lead, hexavalent chromium, and mercury, and 0.01% for cadmium, or qualify for an exemption to these limits as defined in the Annexes of Directive 2000/53/EC (ELV). Regarding the REACH Regulations, TE's information on SVHC in articles for this part number is still based on the European Chemical Agency (ECHA) 'Guidance on requirements for substances in articles' (Version: 2, April 2011), applying the 0.1% weight on weight concentration threshold at the finished product level. TE is aware of the European Court of Justice ruling of September 10th, 2015 also known as O5A (Once An

Article Always An Article) stating that, in case of 'complex object', the threshold for a SVHC must be applied to both the product as a whole and simultaneously to each of the articles forming part of its composition. TE has evaluated this ruling based on the new ECHA "Guidance on requirements for substances in articles" (June 2017, version 4.0) and will be updating its statements accordingly.

Compatible Parts



TE Part # 350389-1
.140 DIA PIN 20-14 PTPBR L/P



TE Part # 350390-1
.140 DIA SOK 14-10 PTPBR L/P



TE Part # 350201-2
.140 DIA PIN 14-10 PTPPHBZ



TE Part # 350200-2
.140 DIA SOK 14-10 PTPPHBZ



TE Part # 350200-1
.140 DIA SOK 14-10 PTPBR



TE Part # 350201-1
.140 DIA PIN 14-10 PTPBR



TE Part # 61626-2
.140 DIA SOK 20-14 PTPPHBZ



TE Part # 61626-1
.140 DIA SOK 20-14 PTPBR



TE Part # 350388-1
.140 DIA SOK 20-14 PTPBR L/P



TE Part # 350391-1
.140 DIA PIN 14-10 PTPBR L/P



TE Part # 350390-2
.140 DIA SOK 14-10 PTPPHBZ L/P



TE Part # 350391-2
.140 DIA PIN 14-10 PTPPHBZ L/P



TE Part # 61627-1
.140 DIA PIN 20-14 PTPBR



TE Part # 61627-2
.140 DIA PIN 20-14 PTPPHBZ



TE Part # 770484-1
.140 MNL PIN

Also in the Series | **Commercial MATE-N-LOK**



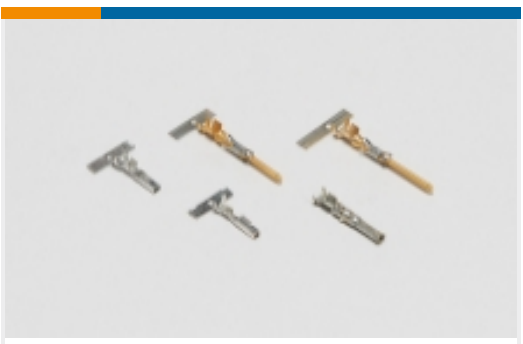
Connector Contacts(26)



Crimp Wire Pins, Tabs & Ferrules(3)



Insertion & Extraction Tools(5)



Power Contacts(129)



Rectangular Caps & Covers(2)



Rectangular Connector Housings(17)



Rectangular Connector Seals(1)



Rectangular Power Connectors(171)



Standard Circular Connectors(4)



Standard Rectangular Connectors(10)

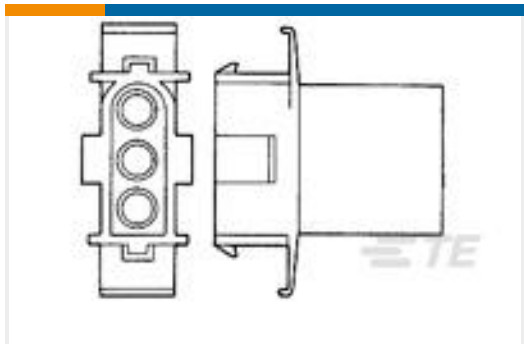


Wire-to-Board Connector Contacts(1)

Customers Also Bought



TE Part #2-1423164-0
7022PC=RLY,STD,OFF,2P,125VDC,1



TE Part #1-350347-0
03P .140 MNL CAP PM NAT



TE Part #1393143-5
27E121=SOCKET,KUP,11,SCW,PLE



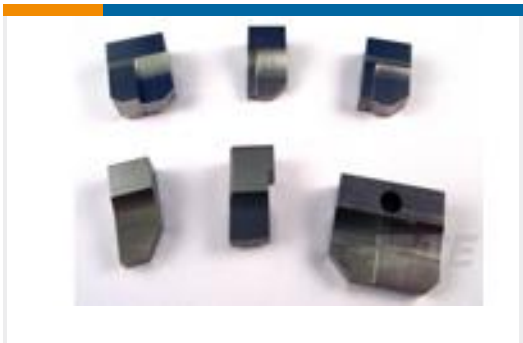
TE Part #9-1393113-7
KUEP-3D15-110=KU



TE Part #2-1423159-6
7012PD=RLY,STD,ON,2P,125VDC,50



TE Part #1579018-4
INSERTION TOOL



TE Part #2-1803054-5
ANVIL, COMBINATION



TE Part #2151320-1
OCEAN_2.0_APPLICATOR-S-100F190O180F



Documents

Datasheets & Catalog Pages

[Crimp Term Whitepaper-Use the Right Tool 1-1773953-1](#)

English

[CRIMPING WHERE FORM MEETS FUNCTION](#)

English

Instruction Sheets

[Instruction Sheet \(U.S.\)](#)

English

[Extraction Tool 318845-1](#)

English

[Instruction Sheet \(U.S.\)](#)

English

X-ON Electronics

Largest Supplier of Electrical and Electronic Components

Click to view similar products for [Extraction, Removal & Insertion Tools](#) category:

Click to view products by [TE Connectivity](#) manufacturer:

Other Similar products are found below :

[M8196914-08](#) [768211-2](#) [809-131](#) [844751-2](#) [8-59558-2](#) [91018-1](#) [12014013](#) [12093647](#) [1-21048-0](#) [R282867020](#) [12093078](#) [1-21048-6](#)
[12121897](#) [DCF.91.405.5LT](#) [1322](#) [15314260](#) [15313892](#) [15350698](#) [15350707](#) [15430130](#) [1579018-4](#) [1643916-1](#) [1-679532-0](#) [1976593-3](#)
[OUTEXT-0321](#) [2-1579008-3](#) [2-1579008-4](#) [229694-7](#) [231106-1](#) [241469](#) [91040-3](#) [91040-7](#) [965004-000](#) [965069-000](#) [1738219-1](#) [ET-JL05-16](#)
[FG 0300 146 3000](#) [FIT-6](#) [210S048](#) [2-1579007-9](#) [231879-1](#) [312138-3](#) [RJ11FODE](#) [356-162](#) [M8196914-10](#) [4-1579018-0](#) [430395-001](#) [483249-](#)
[1](#) [5-1579007-2](#) [5-1579007-9](#)