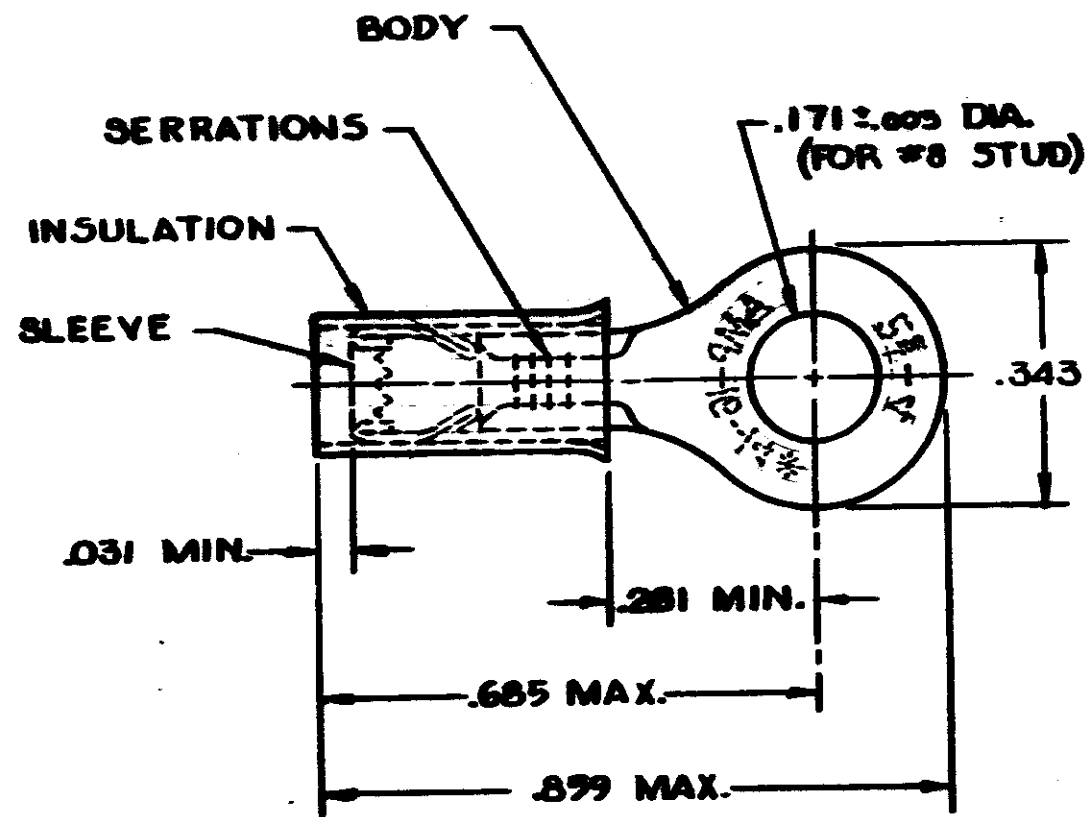


© COPYRIGHT 1971, '84
RESERVED. AMP PRODUCTS MAY BE COVERED BY U.S. AND FOREIGN PATENTS AND/OR PATENTS PENDING.

BY AMP INCORPORATED, HARRISBURG, PA. ALL INTERNATIONAL RIGHTS
RESERVED. AMP PRODUCTS MAY BE COVERED BY U.S. AND FOREIGN PATENTS AND/OR PATENTS PENDING.

REVISIONS

REV	ZONE	LTR	DESCRIPTION	DATE	APPROVED
		M	REDRAWN & REVISED PER G-1474, G-1177, PB7-0039 & PB7-0040	1/27/82	Pyrr
		N	OBSOLETE 2--7 PER G-2393	5/29/87	GS Pyrr
		P	OBS. 2--1 PER G-2609	JT 3/21/89	Pyrr
		R	OBS. 2--6, 2--3 G-4240 & G-3720	JT 10/13/87	AGD
		S	REV. PER G 3862	DKS 12-1-88	GY



WIRE INSULATION DIA. .105-.150
TONGUE MATERIAL THK. .031 ± .002

- ▲ TIN PL. (MIL-T-10727) .000100 MIN EXT THK
- ▲ GOLD PL. (MIL-G-45204) TYPE II, .000050 MIN. EXT. THK. OVER NICKEL PL. (QQ-N-290) .000030 MIN. EXT. THK.
- 3. STAMPING MAY BE ON TOP OR BOTTOM.
- ▲ FOREIGN PRODUCTION ONLY

OBSOLETE	▲	100	ON TAPE, SM. BOX	2-31899-7
OBSOLETE	▲	1000	ON TAPE, LG. BOX	2-31899-6
OBSOLETE	▲	5000	ON TAPE, REEL	2-31899-3
OBSOLETE	▲		LOOSE PIECE	2-31899-1
	▲	—	LOOSE PIECE	31899

FINISH	QUANTITY	DESCRIPTION	PART NO
UNLESS OTHERWISE SPECIFIED DIMENSIONS ARE IN INCHES. TOLERANCES ON: DECIMALS ± .003 ANGLES ± —		CONTRACT NO	
MATERIAL INSULATION: PVC - BLUE SLEEVE & BODY: COPPER (QQ-C-576)		DR RFB/UTA 9-16-85	
FINISH BODY: SEE TABLE		CHK P. Muth, allough 1-27-86	
		APPD [Signature] 01/28/86	
		APPD	
		DSGN APPD	
		OTHER APPD	
		NAME	
		AMP INCORPORATED Harrisburg, Pa.	
		TERMINAL, P.I.D.G., RING TONGUE WIRE SIZE: 16-14	
SIZE	FSCM NO	DRAWING NO	
B	00779	31899	
SCALE	NT5	SHEET 1 OF 1	

CUSTOMER DRAWING

X-ON Electronics

Largest Supplier of Electrical and Electronic Components

Click to view similar products for [Terminals](#) category:

Click to view products by [TE Connectivity](#) manufacturer:

Other Similar products are found below :

[00-054007-01074-6](#) [00-054007-70206-1](#) [00-054007-70210-8](#) [00-054007-70217-7](#) [00-054007-70226-9](#) [00-054007-70228-3](#) [00-054007-70248-1](#) [00-054007-70256-6](#) [00-054007-70301-3](#) [00-054007-70316-7](#) [0-0320562-0](#) [00-054007-49560-4](#) [00-054007-70209-2](#) [00-054007-70225-2](#) [00-054007-70227-6](#) [00-054007-70231-3](#) [00-054007-70241-2](#) [00-054007-70242-9](#) [00-054007-70244-3](#) [00-054007-70246-7](#) [00-054007-70263-4](#) [00-054007-70288-7](#) [00-054007-70290-0](#) [00-054007-70300-6](#) [00-054007-70304-4](#) [01-2065-1-0216](#) [01-2900-1-04412](#) [00581P0075](#) [600TS-10](#) [60205-1](#) [604200-1](#) [605601-1](#) [60598-1-CUT-TAPE](#) [61314-6-C](#) [61810-3](#) [61-S](#) [61-SN](#) [626-0194](#) [62-NBM-A](#) [62-SN](#) [62-SP](#) [63-S](#) [640179-1](#) [M55155/059I03](#) [M55155/079C01](#) [M55155/099H02](#) [M55155/109H01](#) [M55155/109H02](#) [M55155/12XH05](#) [M55155/16XH02](#)