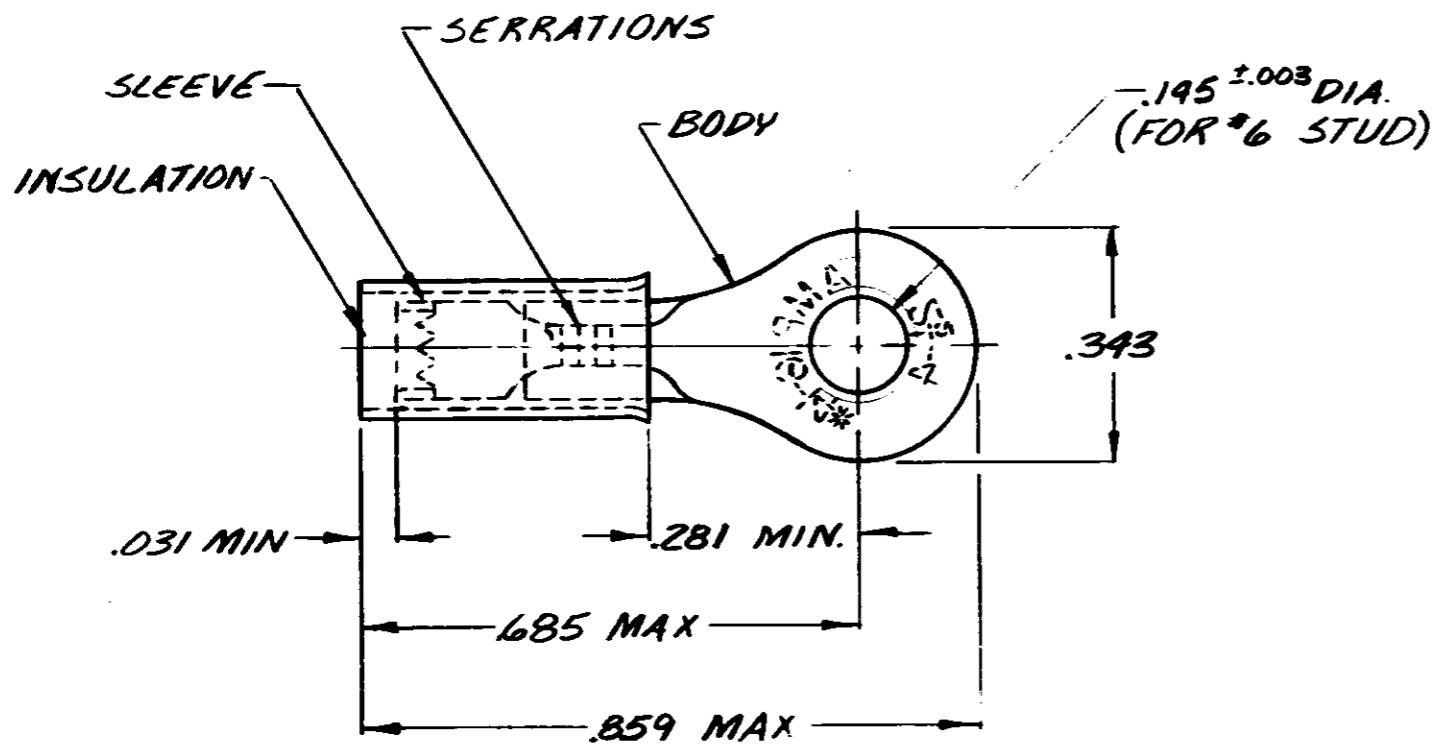


THIS DRAWING IS UNPUBLISHED. RELEASED FOR PUBLICATION 7-3, 1984.

© COPYRIGHT 1945, 84 BY AMP INCORPORATED, HARRISBURG, PA. ALL INTERNATIONAL RIGHTS RESERVED. AMP PRODUCTS MAY BE COVERED BY U.S. AND FOREIGN PATENTS AND/OR PATENTS PENDING.

| | | REVISIONS | | | | LOC G | DIST 14 |
|---|---|-----------|-----|-----------------------|----------|----------|---------|
| P | F | ZONE | LTR | DESCRIPTION | DATE | APPROVED | |
| ✓ | ✓ | | L | REV & RED'WN DBA-0083 | 7-3-84 | JM | |
| ✓ | ✓ | | M | REV PER G-3859 | 11/16/85 | AG | |
| ✓ | ✓ | | N | OBS. 2-1 PER G 3717 | 12-1-88 | GT | |



WIRE INSULATION DIA = .115 - .170
TONGUE MATERIAL THK = .031 ±.002

- 1. TIN PL. (MIL-T-10727), .000100 MIN EXT THK
- 2. STAMPING MAY BE ON TOP OR BOTTOM.
- 3. FOREIGN PRODUCTION ONLY

| | | | |
|----------|--------|-------------------|-----------|
| OBSOLETE | NOTE 1 | ON TAPE, 24" REEL | 2-31901-1 |
| | | LOOSE PIECE | 31901 3. |

| | | FINISH | DESCRIPTION | PART NO |
|---|--|----------------------|--|---------------|
| UNLESS OTHERWISE SPECIFIED DIMENSIONS ARE IN INCHES. TOLERANCES ON: DECIMALS ±.008 ANGLES ± | | CONTRACT NO | AMP INCORPORATED Harrisburg, Pa. | |
| MATERIAL INSULATION PVC, COLOR: BLUE BODY & SLEEVE COPPER (99-C-576) | | DR P. Fortney 7-3-84 | NAME WIRE TERMINAL, P.I.D.G. RING TONGUE, WIRE SIZE: 16-14 | |
| FINISH BODY: SEE TABLE | | APPD P. Moxon 2-6-85 | SIZE B | FSCM NO 00779 |
| | | DSGN APPD | DRAWING NO 31901 | |
| | | OTHER APPD | SCALE NTS | SHEET |

X-ON Electronics

Largest Supplier of Electrical and Electronic Components

Click to view similar products for [Terminals](#) category:

Click to view products by [TE Connectivity](#) manufacturer:

Other Similar products are found below :

[HT-13-10](#) [71M-250-32-NB](#) [01-2065-1-0216](#) [00581P0075](#) [M10-10RX](#) [M10BCK](#) [60205-1](#) [604200-1](#) [60598-1-CUT-TAPE](#) [60617-1-C](#) [60873-1](#) [M14-516R/SK](#) [M14-6RSX](#) [M18-10FLX](#) [M18-8FBX](#) [M18-8R/LX](#) [M18BCK](#) [61314-6-C](#) [61-S](#) [61-SN-A](#) [62-NBM-A](#) [63-S](#) [640179-1](#) [640917-2-CUT-TAPE](#) [6501550002](#) [66107-2-C](#) [696683-1](#) [696834-1](#) [696861-1](#) [696931-1](#) [696999-1](#) [M8-516RK](#) [M86700006](#) [MA250DMFMX-A](#) [701-2007](#) [701-2307](#) [701-7761-03](#) [70F-110-32-PB](#) [718-N-A](#) [71M-187-20-NBL](#) [71M-250-32-NBL](#) [72F-187-20-NBL](#) [72M-250-32-NBL](#) [7310](#) [73F-250-32](#) [73F-250-32-NBL](#) [73F-250-32-NL](#) [F14-10C](#) [F-1M](#) [751-250](#)