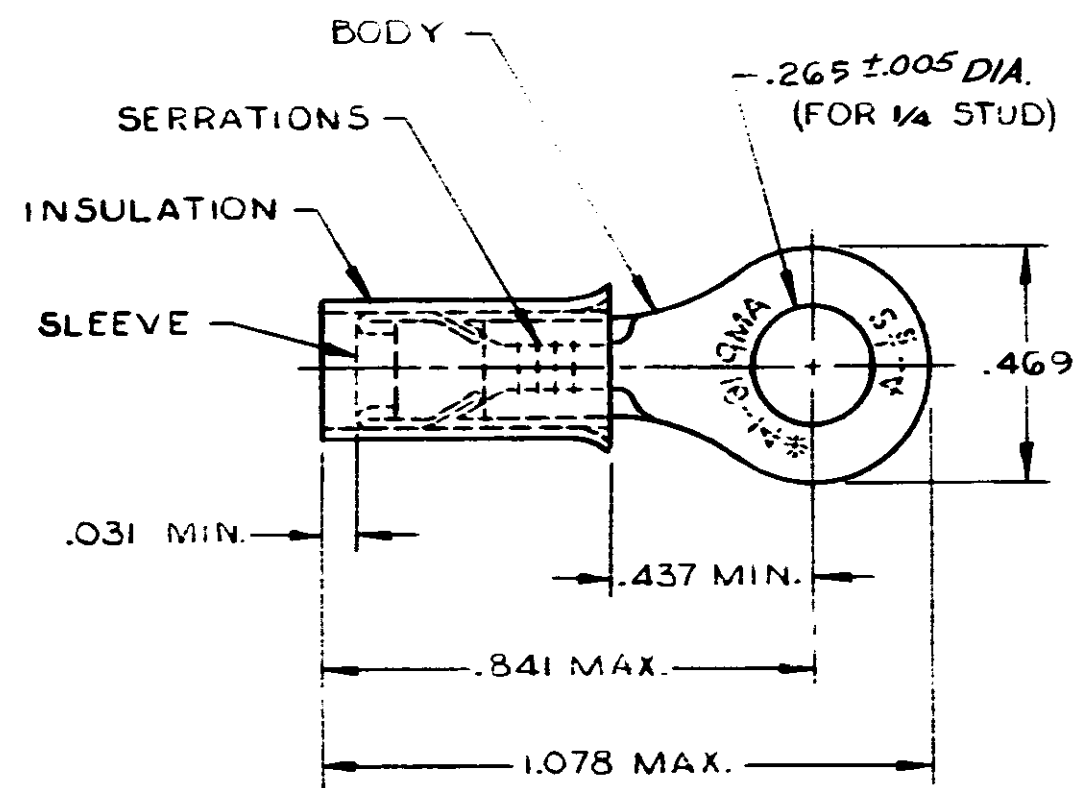


THIS DRAWING IS UNPUBLISHED. RELEASED FOR PUBLICATION . 19 .  
 © COPYRIGHT 19 BY AMP INCORPORATED, HARRISBURG, PA. ALL INTERNATIONAL RIGHTS RESERVED. AMP PRODUCTS MAY BE COVERED BY U.S. AND FOREIGN PATENTS AND/OR PATENTS PENDING.

REVISIONS						
P	F	ZONE	LTR	DESCRIPTION	DATE	APPROVED
✓	✓		J	REDRAWN-REV. PER G-1475, G-1175, PB5-0045 & PB5-0046	1/9/86	Bm
✓	✓		K	REV G-2348	DAP 4-87	Bm
✓	✓		L	OBS. 2--3 PER G-3358	4-25-88	28/47
✓	✓		M	OBSOLETE 2--2 PER G-4247	JT 10/14/88	AG
✓	✓		N	REV. PER G-3879	DKS 12-88	47
✓	✓		P	OBS. 1--1 G-3729	DKS 1-24-87	47



- 1 WIRE INSULATION DIA. = .115-.170
- 2 TONGUE MATERIAL THK. = .031 ±.002
- 3 TIN PL. (MIL-T-10727) .0001 MIN. EXT THK.
- 4 FOREIGN PRODUCTION ONLY

OBSOLETE	<del>100</del>	ON TAPE, SM. BOX	<del>2-31906-3</del>
OBSOLETE	<del>1000</del>	ON TAPE, LG. BOX	<del>2-31906-2</del>
OBSOLETE	4000	ON TAPE, REEL	1-31906-1
	<del>—</del>	LOOSE PIECE	31906

QUANTITY		DESCRIPTION	PART NO
UNLESS OTHERWISE SPECIFIED DIMENSIONS ARE IN INCHES. TOLERANCES ON: DECIMALS ±.002 ANGLES ±		<b>AMP</b>   AMP INCORPORATED Harrisburg, Pa.	
CONTRACT NO DR UTA / RFB 9-18-85			
MATERIAL INSULATION: PVC - BLUE BODY & SLEEVE: COPPER (QG-C-576)		NAME <b>TERMINAL P.I.D.G., RING TONGUE</b> WIRE SIZE: 16-14	
FINISH BODY- 3		SIZE <b>B</b>	FSCM NO <b>00779</b>
OTHER APPD		DRAWING NO <b>31906</b>	
		SCALE NTS	SHEET 1 OF 1

## X-ON Electronics

Largest Supplier of Electrical and Electronic Components

*Click to view similar products for [Terminals](#) category:*

*Click to view products by [TE Connectivity](#) manufacturer:*

Other Similar products are found below :

[00-054007-01074-6](#) [00-054007-70206-1](#) [00-054007-70210-8](#) [00-054007-70217-7](#) [00-054007-70226-9](#) [00-054007-70228-3](#) [00-054007-70248-1](#) [00-054007-70256-6](#) [00-054007-70301-3](#) [00-054007-70316-7](#) [00-054007-49560-4](#) [00-054007-70209-2](#) [00-054007-70225-2](#) [00-054007-70227-6](#) [00-054007-70231-3](#) [00-054007-70241-2](#) [00-054007-70242-9](#) [00-054007-70244-3](#) [00-054007-70246-7](#) [00-054007-70263-4](#) [00-054007-70288-7](#) [00-054007-70290-0](#) [00-054007-70300-6](#) [00-054007-70304-4](#) [01-2065-1-0216](#) [01-2900-1-04412](#) [00581P0075](#) [600TS-10](#) [60205-1](#) [604200-1](#) [605601-1](#) [60598-1-CUT-TAPE](#) [61314-6-C](#) [61810-3](#) [61-S](#) [61-SN](#) [626-0194](#) [62-NBM-A](#) [62-SN](#) [62-SP](#) [63-S](#) [640179-1](#) [M55155/059I03](#) [M55155/079C01](#) [M55155/099H02](#) [M55155/109H01](#) [M55155/109H02](#) [M55155/12XH05](#) [M55155/16XH02](#) [M55155/29-5S](#)