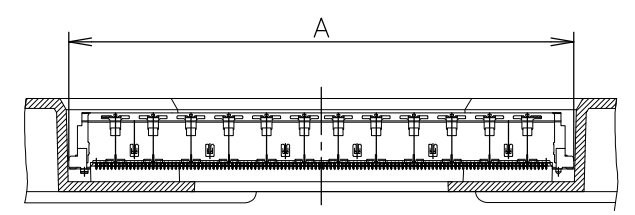
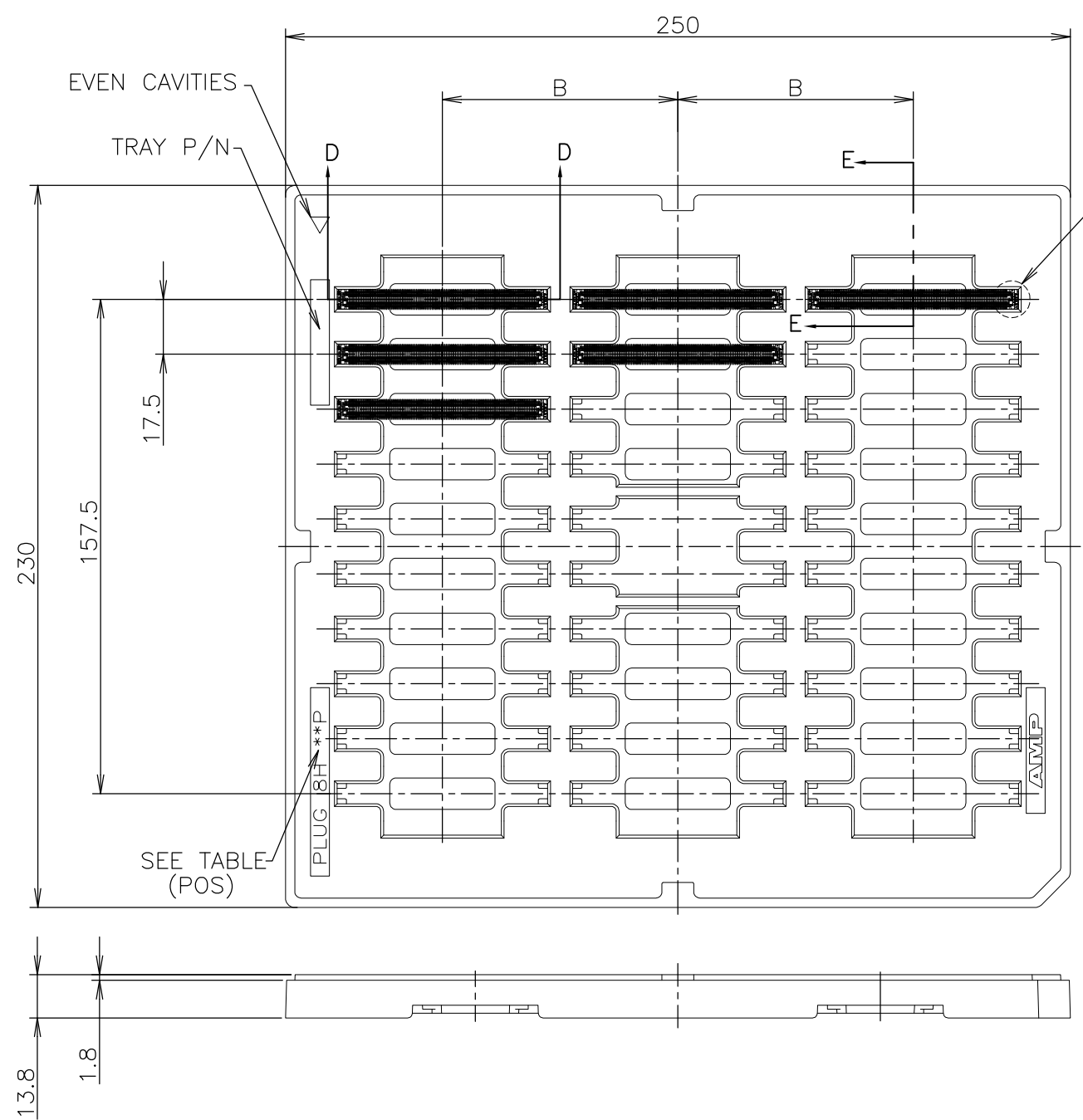
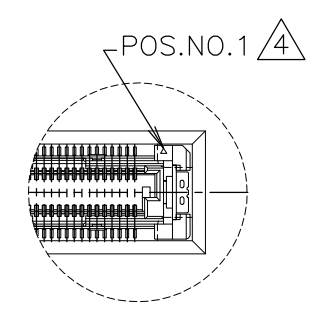


THIS DRAWING IS UNPUBLISHED. RELEASED FOR PUBLICATION - .2006.
 © COPYRIGHT 2006 By - ALL RIGHTS RESERVED.

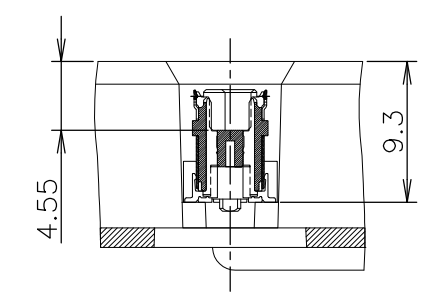
LOC	DIST	REVISIONS				
P	LTR	DESCRIPTION	DATE	DWN	APVD	
J	/					
	D	REVISED PER ECR-13-006361	15APR13	I.T	S.Y	



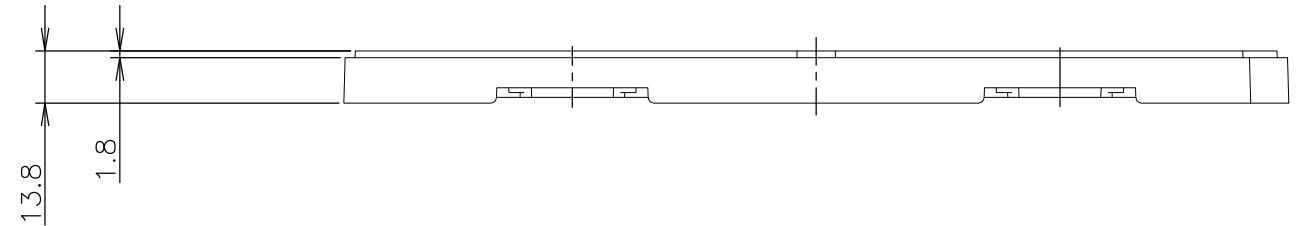
SECT. D-D
(SCALE 2:1)
(CONNECTOR NOT SECTION)



DETAIL C
(SCALE 2:1)




SECT. E-E
(SCALE 2:1)



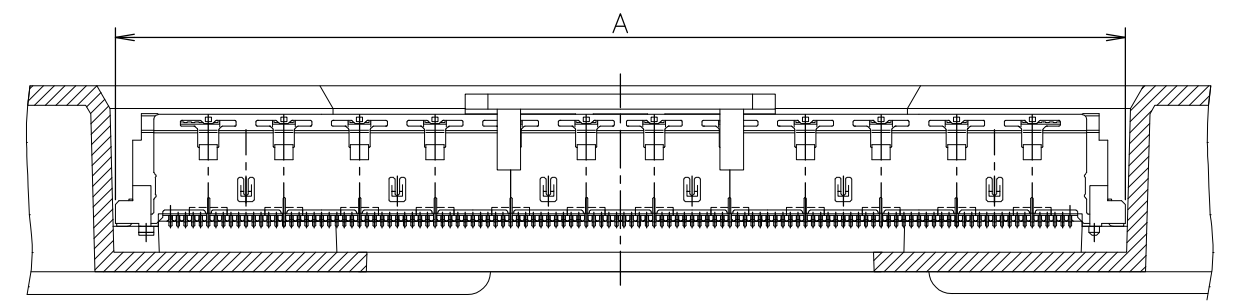
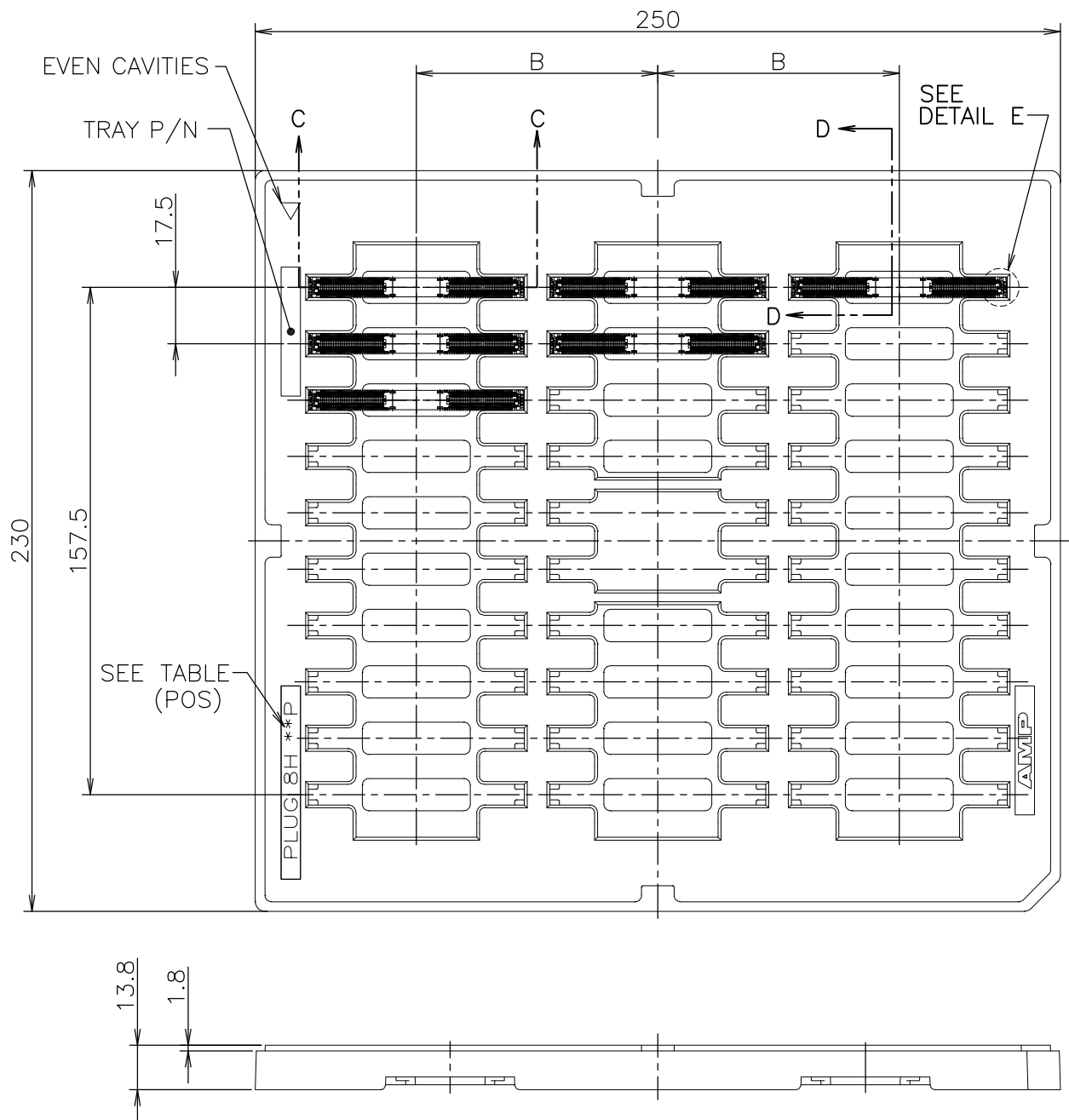
WITHOUT PICK UP CAP

YES Δ	WITHOUT	3	30	75	61.8	220	8-1939756-6
NO	WITHOUT	3	30	75	61.8	220	3-1939756-6
SEALANT	CAP	ROW	QTY	B	A	POS.	PART NO.

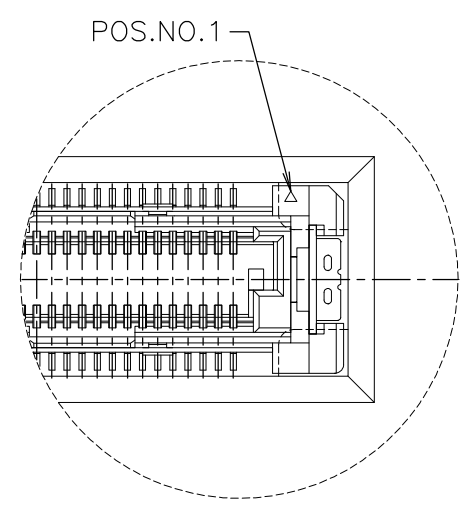
THIS DRAWING IS A CONTROLLED DOCUMENT.		DWN Y.NAKAZAWA 25JUL06	 TE Connectivity				
DIMENSIONS: MM		CHK T.KUSUHARA 25JUL06					
TOLERANCES UNLESS OTHERWISE SPECIFIED:		APVD T.KUSUHARA 25JUL06	NAME				
0 PLC ± 0.3		PRODUCT SPEC					
1 PLC ± 0.3		108-5560					
2 PLC ± 0.3		APPLICATION SPEC					
3 PLC ± 0.3		SIZE					
4 PLC ± 0.3		CAGE CODE					
ANGLES ± 3'		DRAWING NO					
FINISH		RESTRICTED TO					
MATERIAL		A300779 C-1939756					
		CUSTOMER DRAWING					
		SCALE 1:2			SHEET 1 OF 4		REV D

THIS DRAWING IS UNPUBLISHED. RELEASED FOR PUBLICATION NOV , 1996.
 © COPYRIGHT 1996 By - ALL RIGHTS RESERVED.

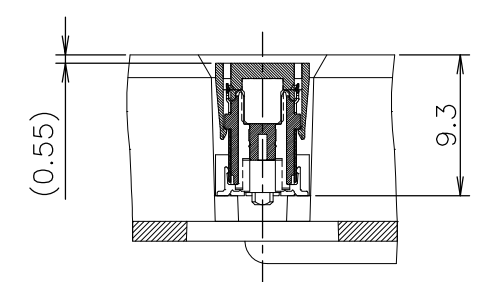
LOC	DIST	REVISIONS			
P	LTR	DESCRIPTION	DATE	DWN	APVD
J	-	SEE SHEET 1	-	-	-



SECT. C-C
(SCALE 2:1)



DETAIL E
(SCALE 4:1)



SECT. D-D
(SCALE 2:1)

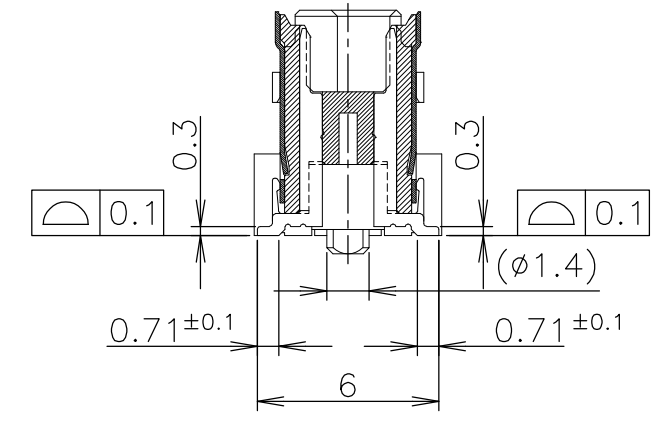
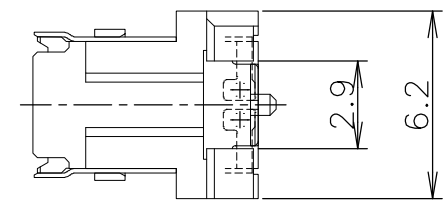
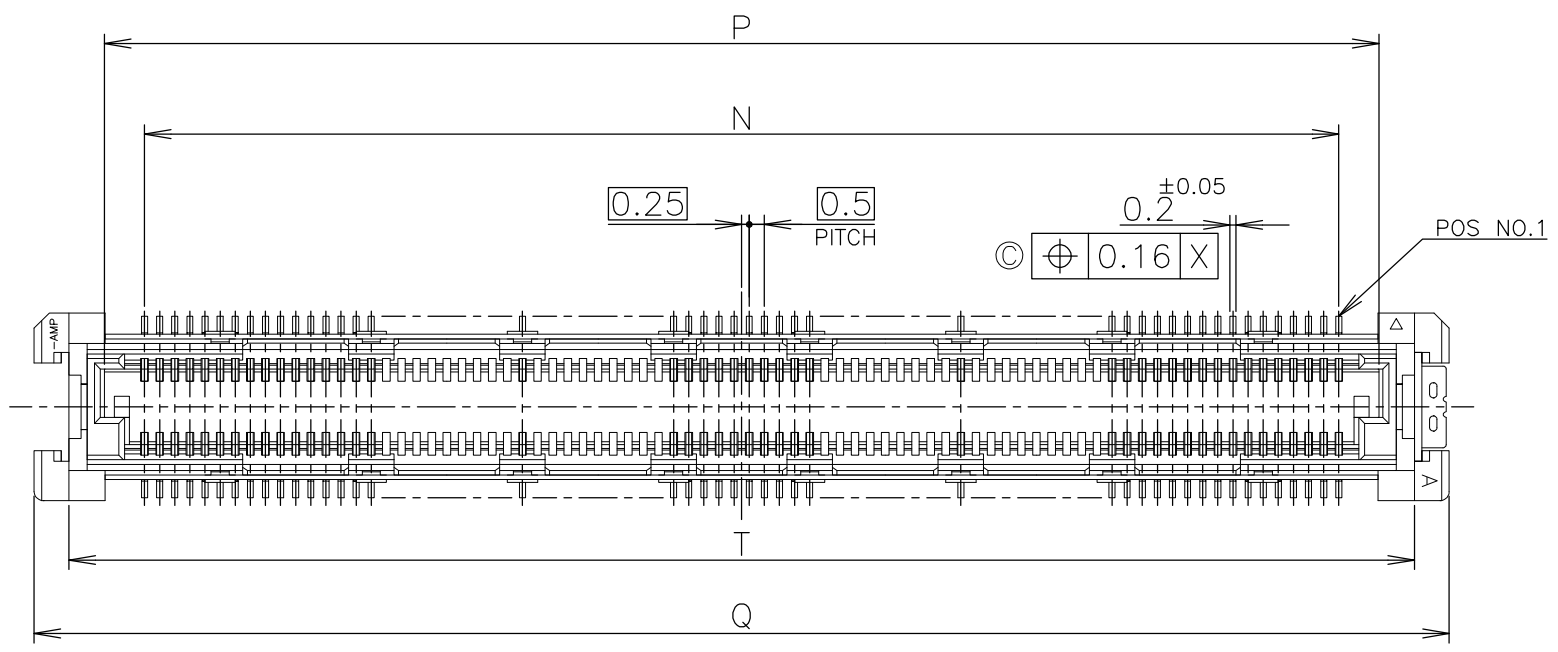
WITH PICK UP CAP

NO	WITH	3	30	75	61.8	220	9-1939756-6
SEALANT	CAP	ROW	QTY	B	A	POS.	PART NO.

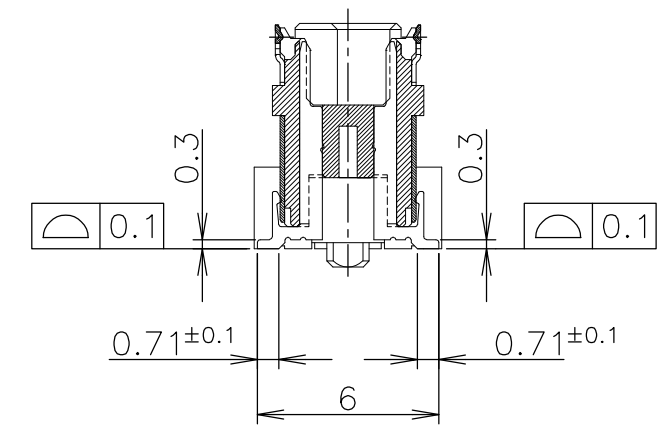
THIS DRAWING IS A CONTROLLED DOCUMENT.		DWN	-	TE Connectivity HARD TRAY ASSY FH 0.5BTB CONNECTOR 220POS PLUG 8H WITH GROUND PLATE			
DIMENSIONS: MM		CHK	-				
		APVD	-				
TOLERANCES UNLESS OTHERWISE SPECIFIED: 0 PLC ± 0.3 1 PLC ± 0.3 2 PLC ± 0.3 3 PLC ± 0.3 4 PLC ± 0.3 ANGLES ± 3°		PRODUCT SPEC	-				
MATERIAL		FINISH	-	APPLICATION SPEC	-	SIZE	A3
				WEIGHT	-	CAGE CODE	00779
				CUSTOMER DRAWING		DRAWING NO	C-1939756
						RESTRICTED TO	-
						SCALE	4:1
						SHEET	2 OF 4
						REV	D

THIS DRAWING IS UNPUBLISHED. RELEASED FOR PUBLICATION NOV , 1996.
 © COPYRIGHT 1996 By - ALL RIGHTS RESERVED.

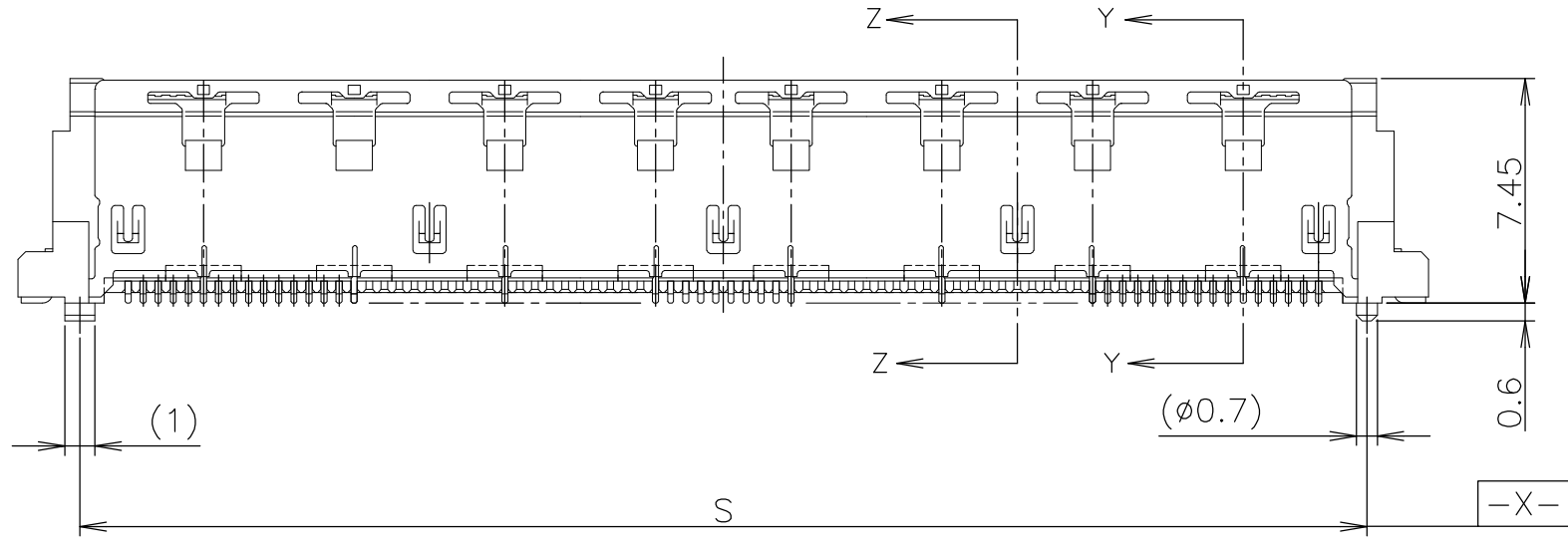
LOC	DIST	REVISIONS			
P	LTR	DESCRIPTION	DATE	DWN	APVD
J	/	SEE SHEET 1	-	-	-



SECT. Z-Z
(SIGNAL POSITION)



SECT. Y-Y
(GROUND POSITION)



- NOTE:**
- ① MATERIAL ; HOUSING : HIGH TEMP THERMO PLASTIC UL94V-0
CONTACT : COPPER ALLOY
SOLDER PEG : COPPER ALLOY
 - ② FINISH ; SIGNAL CONTACT : UNDER PL Ni 0.0013mm MIN ALL OVER.
CONTACT AREA 0.00076mm MIN Au PL.
SOLDERING AREA 0.001mm MIN TIN PL.
GROUND CONTACT : UNDER PL Ni 0.0013mm MIN ALL OVER.
CONTACT AREA 0.00076mm MIN Au PL.
SOLDERING AREA 0.001mm MIN TIN PL.
SOLDER PEG : 0.001mm MIN TIN PL. OVER
0.0013mm MIN Ni PL ALL OVER.
 - ③ THIS POSITION IS GROUND CIRCUIT.
 - ④ THIS PRODUCT WAS COATED BY FLUX-PENETRATION-INHIAITING AGENT.

59.5	57.7	61.8	57.1	54.5	220	BLACK	9-1939756-6
59.5	57.7	61.8	57.1	54.5	220	BLACK	8-1939756-6
59.5	57.7	61.8	57.1	54.5	220	BLACK	3-1939756-6
T	S	Q	P	N	POS.	HSG COLOR	PART NO.

THIS DRAWING IS A CONTROLLED DOCUMENT.		DWN	TE Connectivity HARD TRAY ASSY FH 0.5BTB CONNECTOR 220POS PLUG 8H WITH GROUND PLATE		
DIMENSIONS: MM		CHK			
TOLERANCES UNLESS OTHERWISE SPECIFIED:		APVD			
0 PLC ± 0.3 1 PLC ± 0.3 2 PLC ± 0.3 3 PLC ± 0.3 4 PLC ± 0.3 ANGLES ± 3° FINISH		PRODUCT SPEC			
MATERIAL ①		APVD	NAME		
②		PRODUCT SPEC	SIZE		
		APPLICATION SPEC	CAGE CODE		
		WEIGHT	DRAWING NO		
		CUSTOMER DRAWING	RESTRICTED TO		
		SCALE 4:1	A3 00779 C-1939756		
		SHEET 3 OF 4	REV D		

THIS DRAWING IS UNPUBLISHED.

RELEASED FOR PUBLICATION NOV , 1996.

© COPYRIGHT 1996 By -

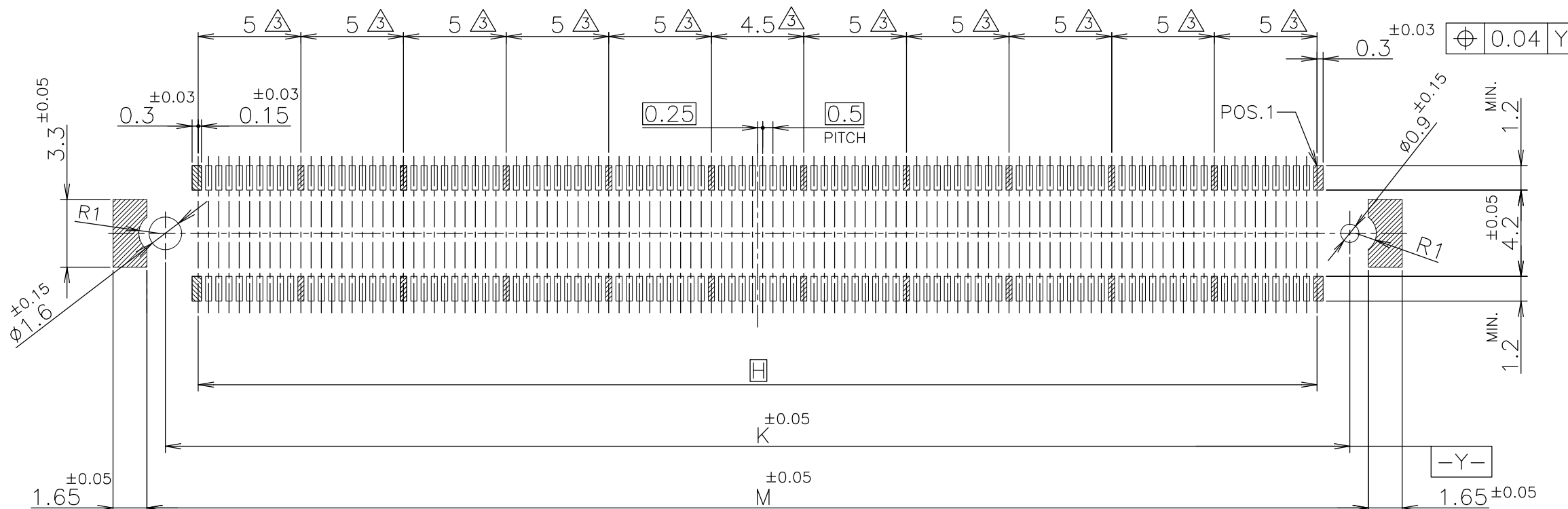
ALL RIGHTS RESERVED.

LOC J

DIST /

REVISIONS

P	LTR	DESCRIPTION	DATE	DWN	APVD
-	-	SEE SHEET 1	-	-	-



REFERENCE P.C.BOARD LAYOUT

59.5	57.7	54.5	220	9-1939756-6
59.5	57.7	54.5	220	8-1939756-6
59.5	57.7	54.5	220	3-1939756-6
M	K	H	POS	PART NO.

THIS DRAWING IS A CONTROLLED DOCUMENT.		DWN	TE Connectivity HARD TRAY ASSY FH 0.5BTB CONNECTOR 220POS PLUG 8H WITH GROUND PLATE		
DIMENSIONS: MM		CHK			
		APVD			
		PRODUCT SPEC			
TOLERANCES UNLESS OTHERWISE SPECIFIED:		APVD	NAME		
0 PLC ± 0.3		PRODUCT SPEC	SIZE		
1 PLC ± 0.3		APPLICATION SPEC	CAGE CODE		
2 PLC ± 0.3		APPLICATION SPEC	DRAWING NO		
3 PLC ± 0.3		APPLICATION SPEC	RESTRICTED TO		
4 PLC ± 0.3		WEIGHT	A3 00779 C-1939756		
ANGLES ± 3'		CUSTOMER DRAWING	SCALE 4:1		
FINISH		SHEET 4 OF 4			REV D

X-ON Electronics

Largest Supplier of Electrical and Electronic Components

Click to view similar products for [Board to Board & Mezzanine Connectors](#) category:

Click to view products by [TE Connectivity](#) manufacturer:

Other Similar products are found below :

[589158040000018](#) [MDF7C-18P-2.54DSA\(55\)](#) [FCN-230C068-11](#) [FCN-268F012-G/BD](#) [FCN-268F036-G/BD](#) [FCN-268M012-G/0D](#) [FCN-268M024-G/1D](#) [FCN-723J004/1](#) [MIS-048-01-F-D-DP-K](#) [832-10-034-10-001000](#) [FX4C-80S-1.27DSA](#) [FCN-214Q030-G/0](#) [FCN-234P048-G/0](#) [FCN-235D050-G/C](#) [210-93-314-41-105000](#) [2-22603-0](#) [MDF7-40DP-2.54DSA\(55\)](#) [AXG720047](#) [5031084030](#) [MIT-114-03-F-D-K](#) [55323-1519](#) [DF33-2P-3.3DSA\(24\)](#) [YFT-20-05-H-03-SB-K](#) [503308-3040](#) [026-6203-PDB](#) [027-6203-PDB](#) [069159702701000](#) [10123981-102LF](#) [101A10019X](#) [55650-0588-C](#) [68682-310LF](#) [68684-306](#) [75140-7012](#) [87471-650](#) [194261-1](#) [FCN-268F024-G0D](#) [10124054-515LF](#) [68685-603](#) [8-1616154-3](#) [MIS-019-01-F-D](#) [FCN-268M024-G/3D](#) [20021832-06016C1LF](#) [KX15-20KLDL-E1000E](#) [MDF7-16DP-2.54DSA\(55\)](#) [AXE810124](#) [FCN-214J100-G/0](#) [FCN-230C068-E/S](#) [AXE812124](#) [AXE816124](#) [AXE720127](#)