

4

3

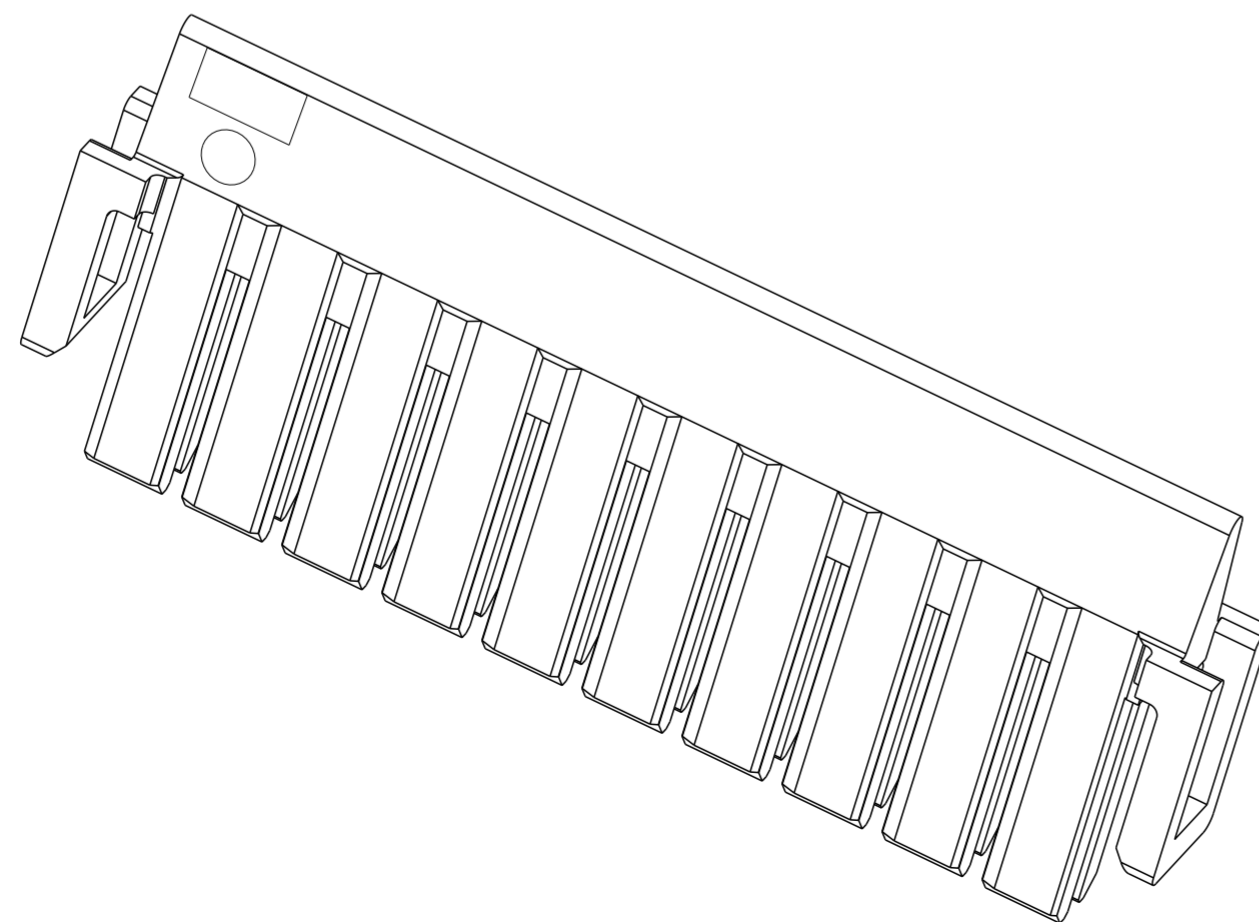
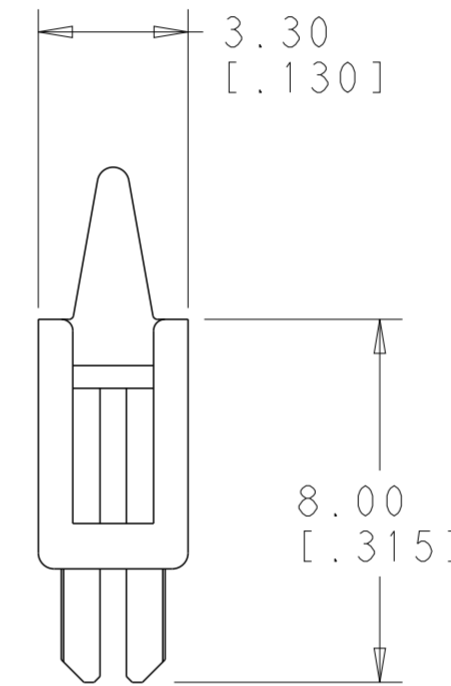
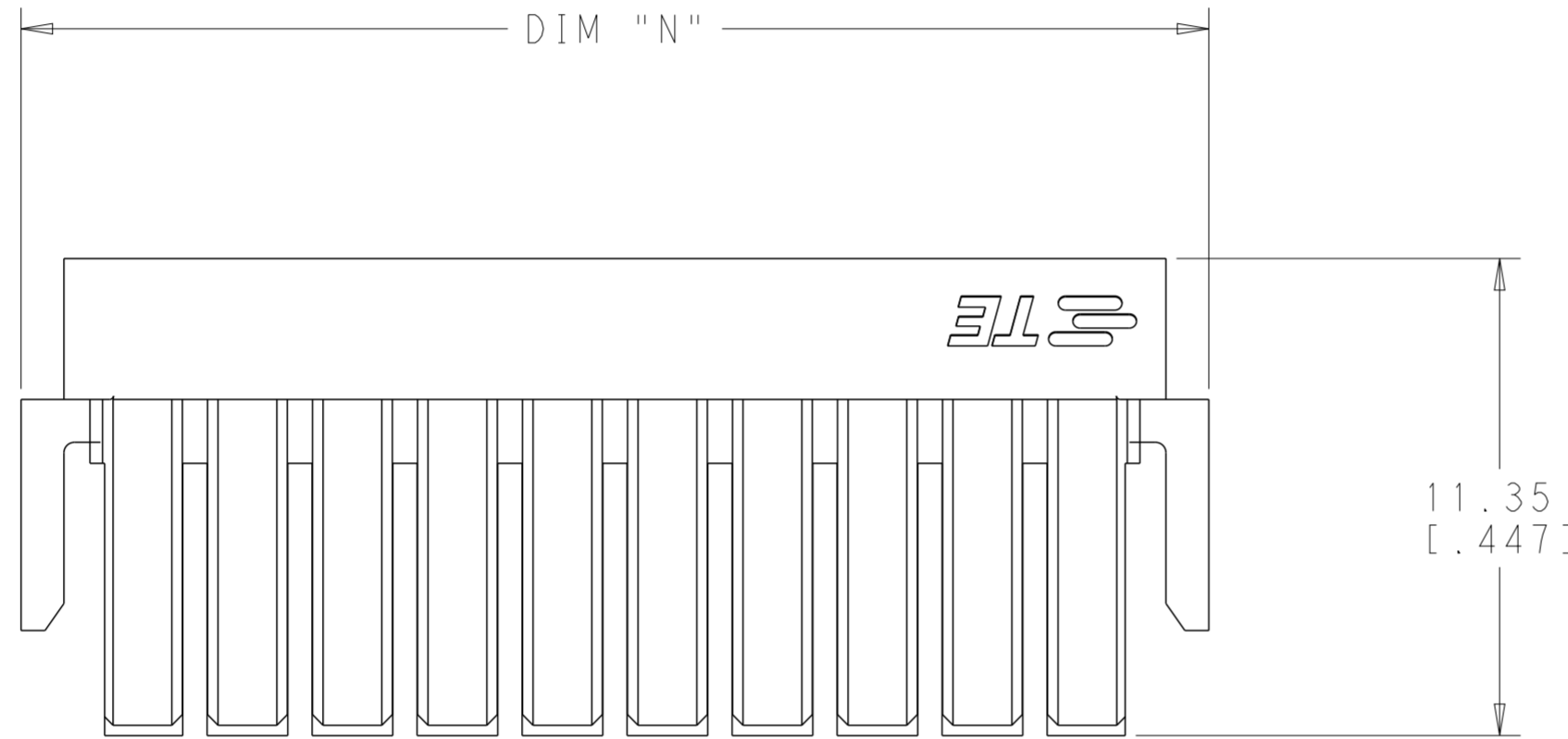
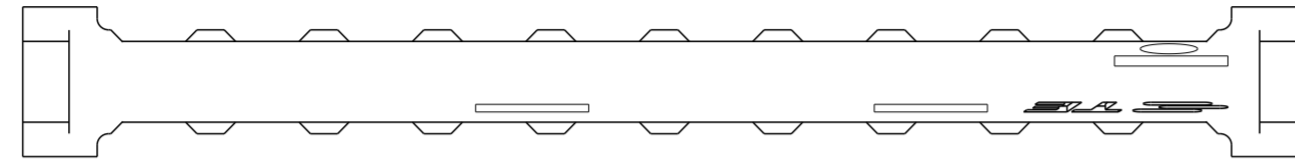
2

1


THIS DRAWING IS UNPUBLISHED. RELEASED FOR PUBLICATION 20
 © COPYRIGHT 20 BY - ALL RIGHTS RESERVED.

| LOC | | DIST | | REVISIONS | | | |
|-----|-----|-------------|---------------------------|-----------|-----|------|--|
| P | LTR | DESCRIPTION | | DATE | DWN | APVD | |
| AF | 50 | A2 | REVISED PER ECR-15-006219 | 30APR2015 | NK | JR | |
| | | | | | | | |
| | | | | | | | |

1 MATES WITH CORRESPONDING PLUG HOUSING
 PART NUMBER X-1969540-X.



| | |
|---------------|-------------|
| 53.28 [2.098] | 4-1969541-0 |
| 50.78 [1.999] | 3-1969541-8 |
| 48.28 [1.901] | 3-1969541-6 |
| 45.78 [1.802] | 3-1969541-4 |
| 43.28 [1.704] | 3-1969541-2 |
| 40.78 [1.605] | 3-1969541-0 |
| 38.28 [1.507] | 2-1969541-8 |
| 35.78 [1.409] | 2-1969541-6 |
| 33.28 [1.310] | 2-1969541-4 |
| 30.78 [1.212] | 2-1969541-2 |
| 28.28 [1.113] | 2-1969541-0 |
| 25.78 [1.015] | 1-1969541-8 |
| 23.28 [.916] | 1-1969541-6 |
| 20.78 [.818] | 1-1969541-4 |
| 18.28 [.720] | 1-1969541-2 |
| 15.78 [.621] | 1-1969541-0 |
| 13.28 [.523] | 1969541-8 |
| DIM "N" | PART NO. |

| | | | | | |
|---|-------------|------------------|---------------|---------------|---|
| THIS DRAWING IS A CONTROLLED DOCUMENT. | | DWN | JR RUTH | 21AUG2012 |  TE Connectivity |
| DIMENSIONS: mm [INCHES] | | CHK | KURT RANDOLPH | 21AUG2012 | |
| TOLERANCES UNLESS OTHERWISE SPECIFIED: | | APVD | SAM MACE | 21AUG2012 | |
| 0 PLC ± 1 PLC ± 2 PLC ±0.13 [.005] 3 PLC ± 4 PLC ± ANGLES ±1 FINISH | | PRODUCT SPEC | 108-2418 | NAME | |
| MATERIAL | - | APPLICATION SPEC | 114-13315 | SIZE | A2 |
| | COLOR-BLACK | WEIGHT | - | CAGE CODE | 00779 |
| | | Customer Drawing | | DRAWING NO | C-1969541 |
| | | | | RESTRICTED TO | - |
| | | | | SCALE | 5:1 |
| | | | | SHEET | 1 OF 1 |
| | | | | REV | A2 |

X-ON Electronics

Largest Supplier of Electrical and Electronic Components

Click to view similar products for [Headers & Wire Housings](#) category:

Click to view products by [TE Connectivity](#) manufacturer:

Other Similar products are found below :

[892-18-020-10-001101](#) [58102-G61-06LF](#) [582553-1](#) [0009485154](#) [009176003701906](#) [0050291907](#) [LY20-4P-DT1-P1E-BR](#) [02.125.8002.8](#)
[609-3404](#) [61062-3](#) [61082-181009](#) [622-3653LF](#) [63453-116](#) [636-1030](#) [636-1427](#) [636-3427](#) [636-4007](#) [641938-9](#) [641991-4](#) [644827-2](#) [65817-010LF](#) [65817-015LF](#) [65863-015LF](#) [66207-023LF](#) [67095-007LF](#) [67601157](#) [68645-018](#) [68648-049](#) [70.362.1628.0](#) [70-4210](#) [70-4226B](#) [70-4853B](#) [707-5020](#) [707-5028](#) [71.350.2428.0](#) [71918-208LF](#) [71961-016LF](#) [733-134](#) [733-162](#) [754199-000](#) [760-3052](#) [787-8014-00](#) [79531-3000](#)
[FCN-360C032-B](#) [FCN-367T-T012/H](#) [FCN-723D010/2](#) [80.063.4001.1](#) [800-90-001-10-001000](#) [800-90-010-10-002000](#) [801-43-002-10-013000](#)