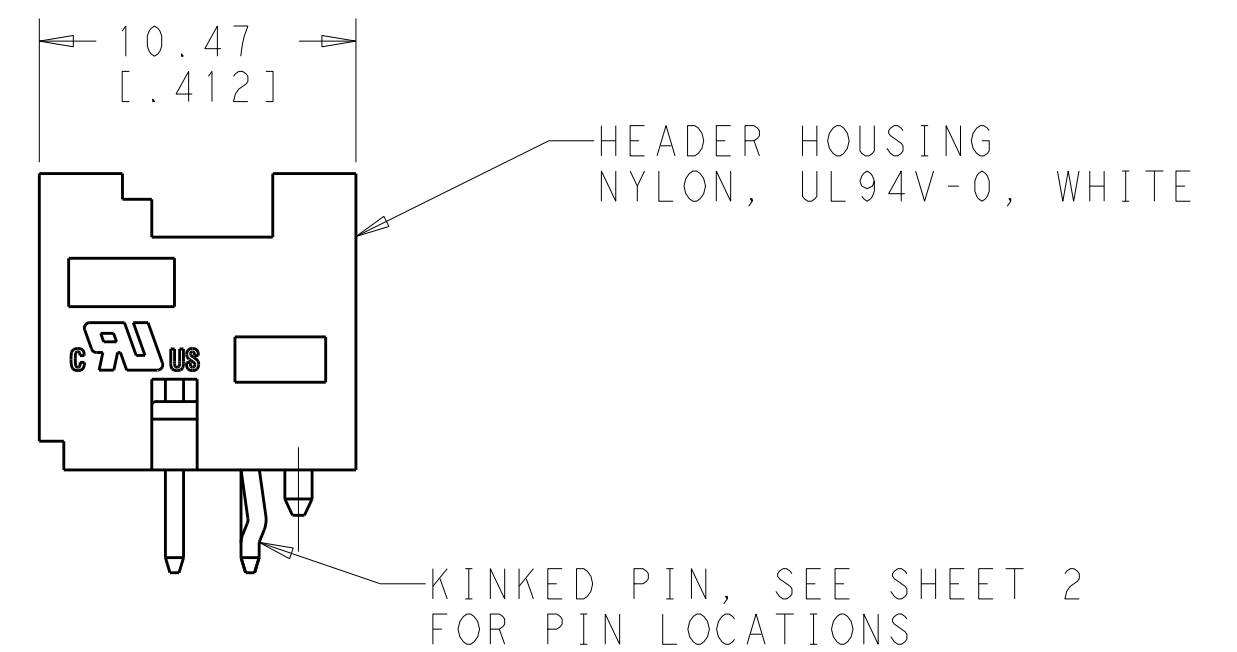
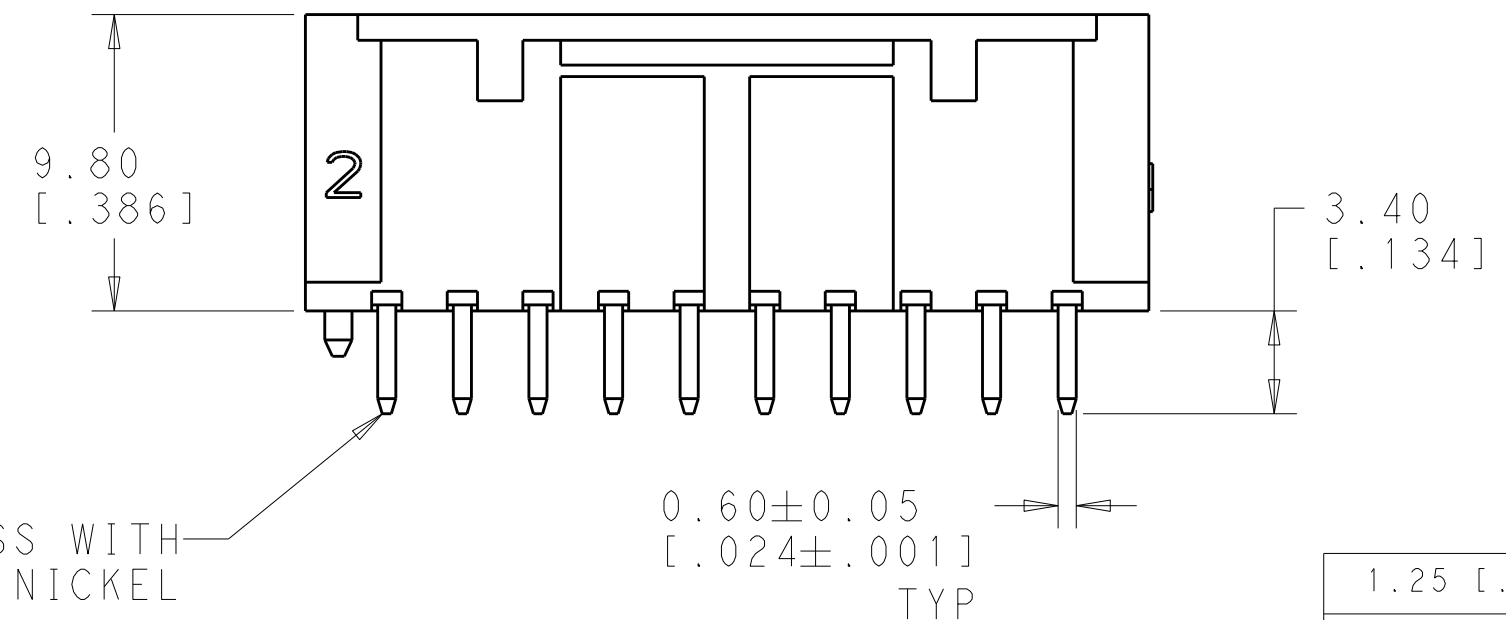
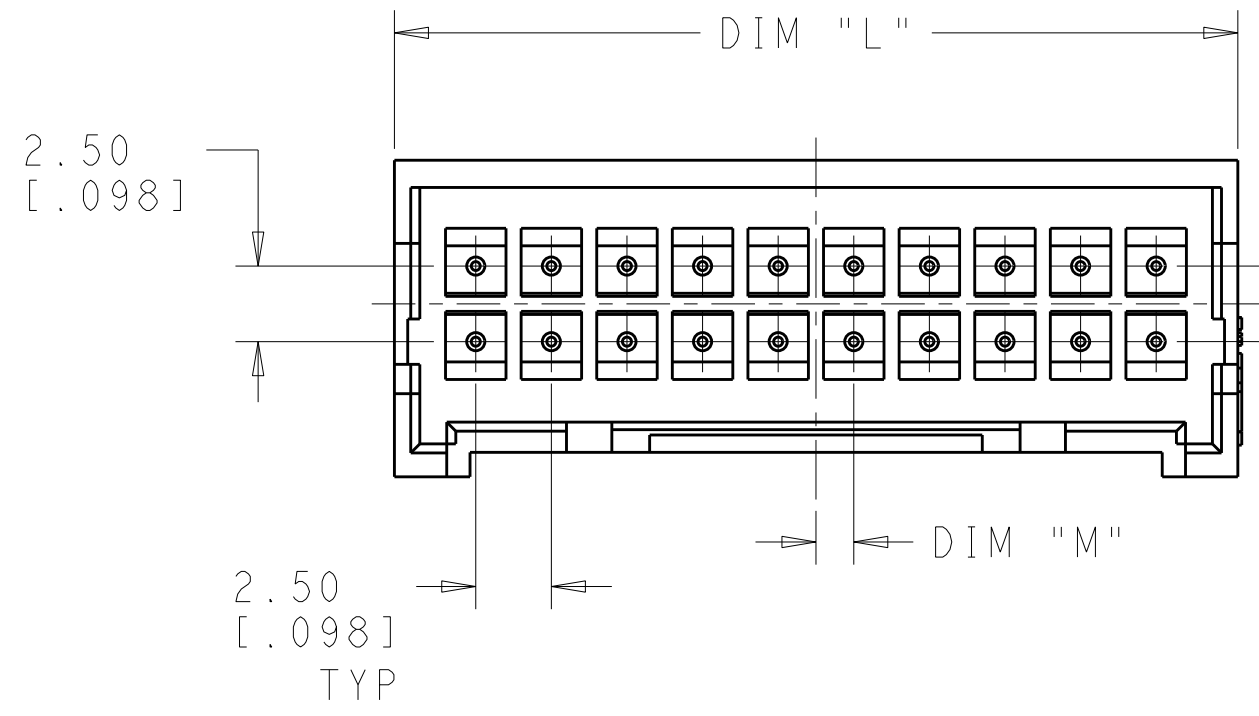
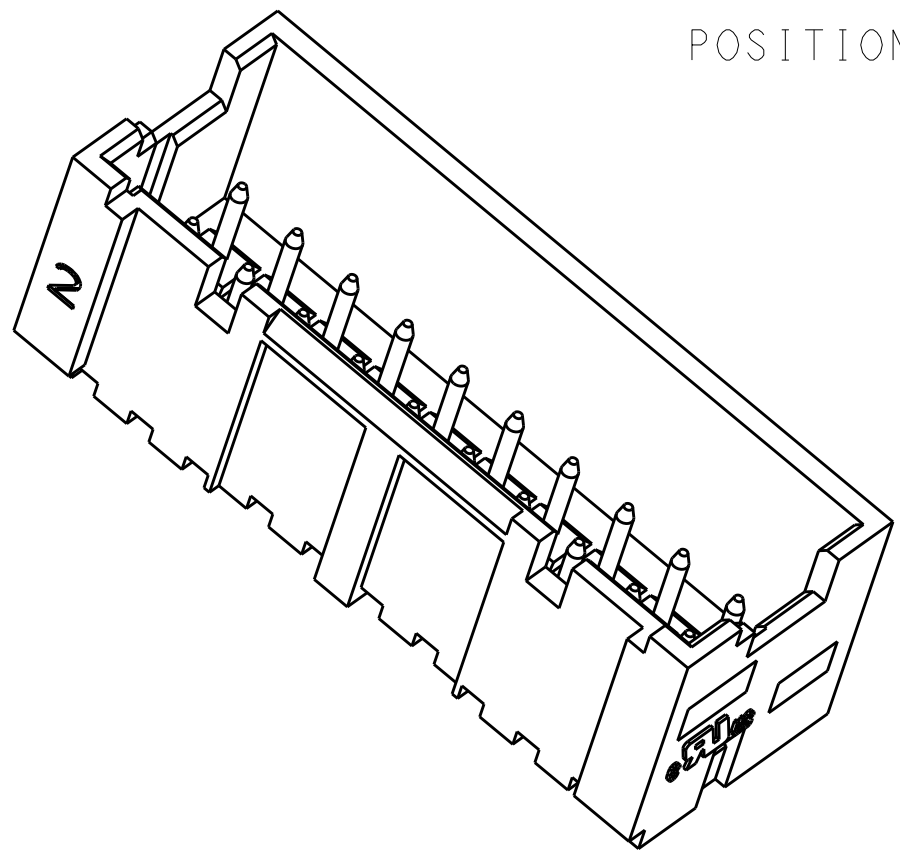
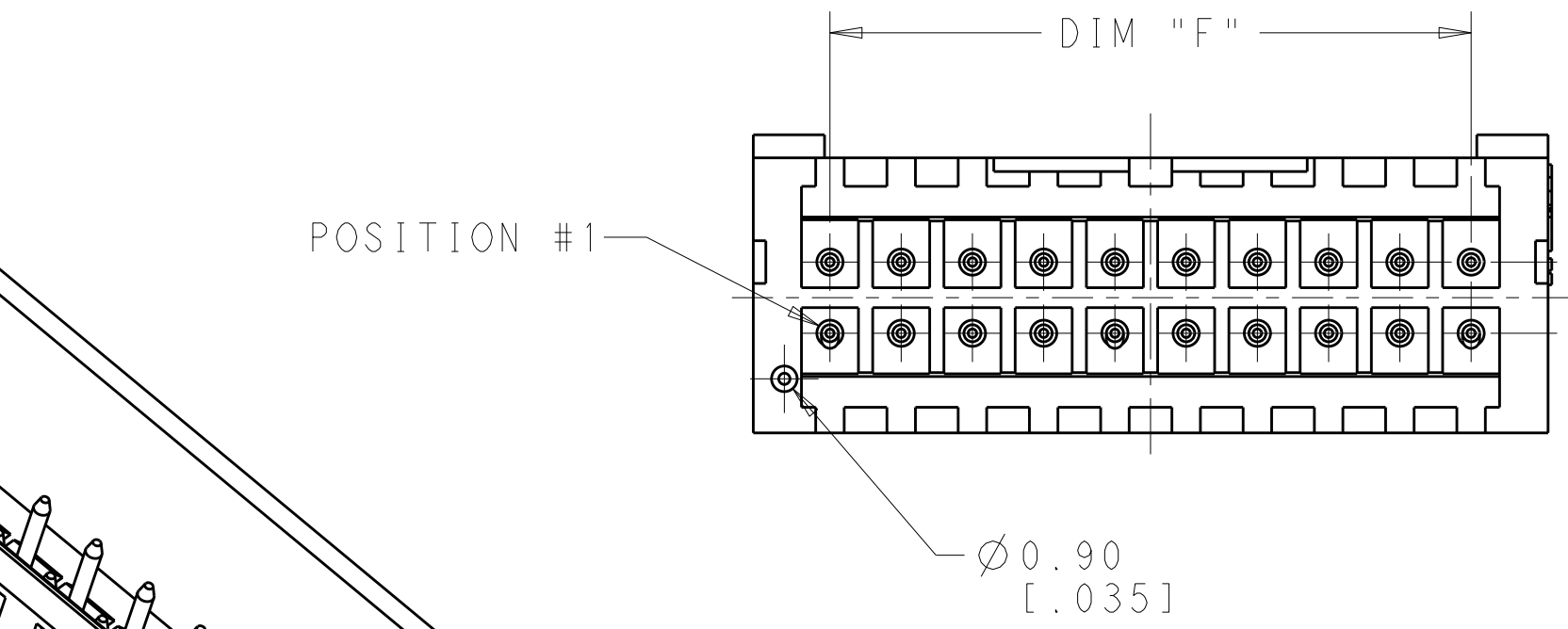


THIS DRAWING IS UNPUBLISHED. RELEASED FOR PUBLICATION 20  
 © COPYRIGHT 20 BY - ALL RIGHTS RESERVED.

REVISIONS					
P	LTR	DESCRIPTION	DATE	DWN	APVD
B		REVISED PER ECR-16-008945	21NOV2016	BW	RS



- PARTS TESTED TO IEC 60695-2-11 AND COMPLIANT TO IEC 60335-1
- HOUSING MATERIAL MEETS MINIMUM GLOW WIRE FLAMMIBILITY INDEX OF 850°C PER IEC 60695-2-12 AND MINIMUM GLOW WIRE IGNITION TEMP OF 775°C PER IEC 60695-2-13.



1.25 [.049]	2	47.50 [1.870]	52.89 [2.083]	40	4-1969570-0
0.00	2	45.00 [1.772]	50.39 [1.985]	38	3-1969570-8
1.25 [.049]	2	42.50 [1.673]	47.89 [1.886]	36	3-1969570-6
0.00	2	40.00 [1.575]	45.39 [1.788]	34	3-1969570-4
1.25 [.049]	2	37.50 [1.477]	42.89 [1.689]	32	3-1969570-2
0.00	2	35.00 [1.378]	40.39 [1.591]	30	3-1969570-0
1.25 [.049]	2	32.50 [1.280]	37.89 [1.492]	28	2-1969570-8
0.00	2	30.00 [1.181]	35.39 [1.394]	26	2-1969570-6
1.25 [.049]	2	27.50 [1.083]	32.89 [1.295]	24	2-1969570-4
0.00	2	25.00 [.984]	30.39 [1.197]	22	2-1969570-2
1.25 [.049]	2	22.50 [.886]	27.89 [1.098]	20	2-1969570-0
0.00	2	20.00 [.787]	25.39 [1.000]	18	1-1969570-8
1.25 [.049]	1	17.50 [.689]	22.89 [.901]	16	1-1969570-6
0.00	1	15.00 [.590]	20.39 [.803]	14	1-1969570-4
1.25 [.049]	1	12.50 [.492]	17.89 [.704]	12	1-1969570-2
0.00	1	10.00 [.394]	15.39 [.606]	10	1-1969570-0
1.25 [.049]	1	7.50 [.295]	12.89 [.507]	8	1969570-8
DIM "M"	NO. OF LATCH CUT-OUTS	DIM "F"	DIM "L"	NO. OF POSITIONS	PART NO.

THIS DRAWING IS A CONTROLLED DOCUMENT. DWN JR RUTH 02OCT12  
 CHK KURT RANDOLPH 02OCT12  
 APVD SAM MACF 02OCT12

**STE** TE Connectivity

NAME ASSEMBLY, PIN HEADER, EP 2.5, DUAL ROW, GLOW WIRE

PRODUCT SPEC 108-2418  
 APPLICATION SPEC 114-13315

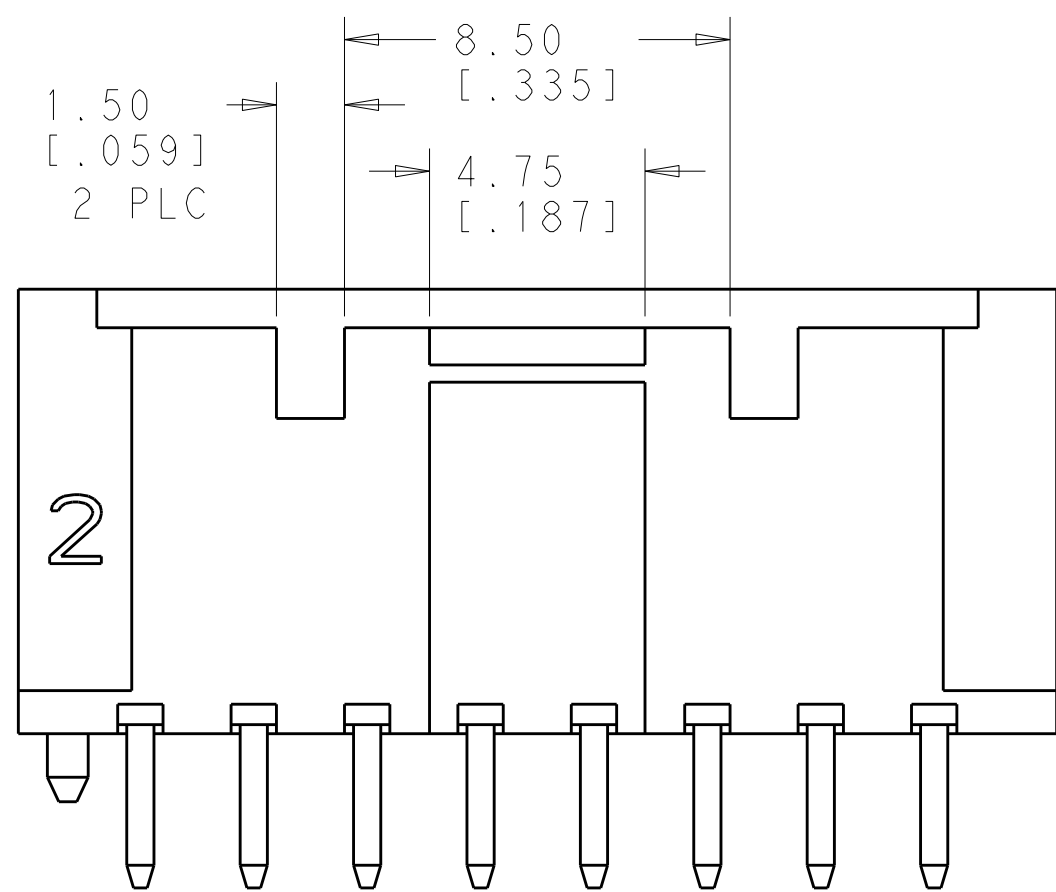
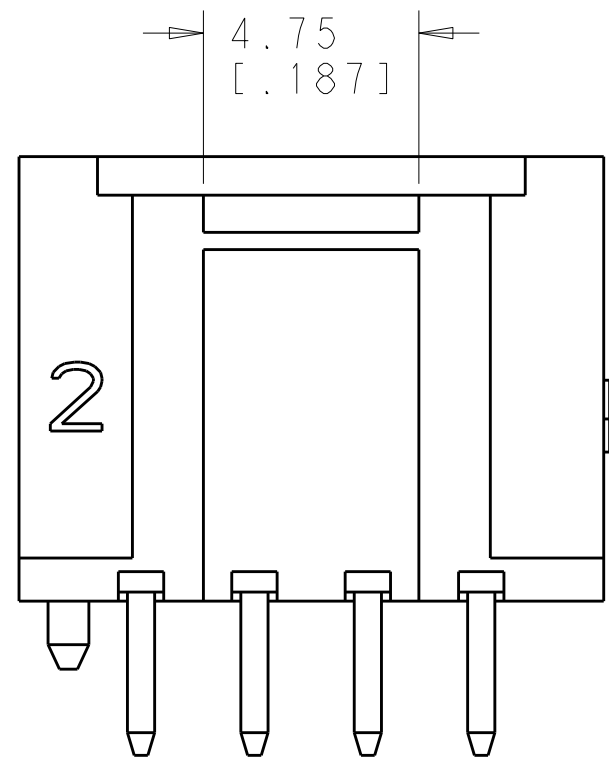
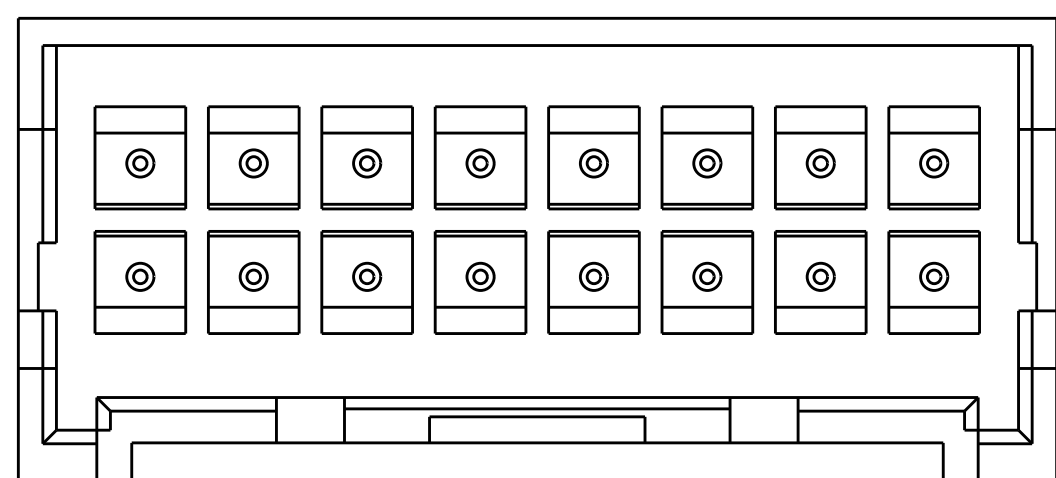
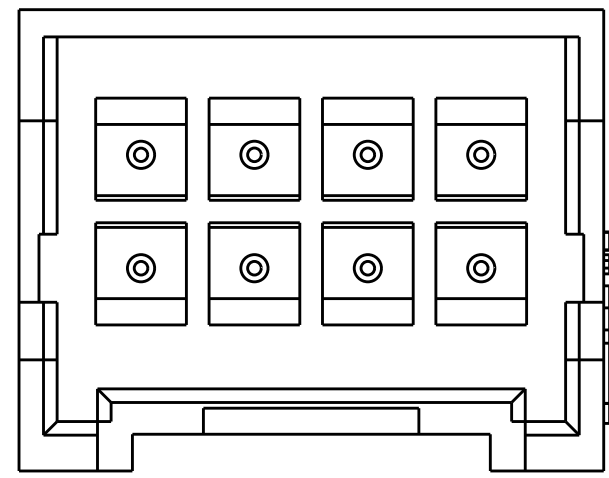
SIZE A2 CAGE CODE 00779 DRAWING NO. C-1969570 RESTRICTED TO -  
 SCALE 4:1 SHEET 1 OF 2 REV B

MATERIAL SEE NOTES TOLERANCES UNLESS OTHERWISE SPECIFIED: 0 PLC ±, 1 PLC ±, 2 PLC ±0.25 [.010], 3 PLC ±, 4 PLC ±, ANGLES ±, FINISH ±

Customer Drawing

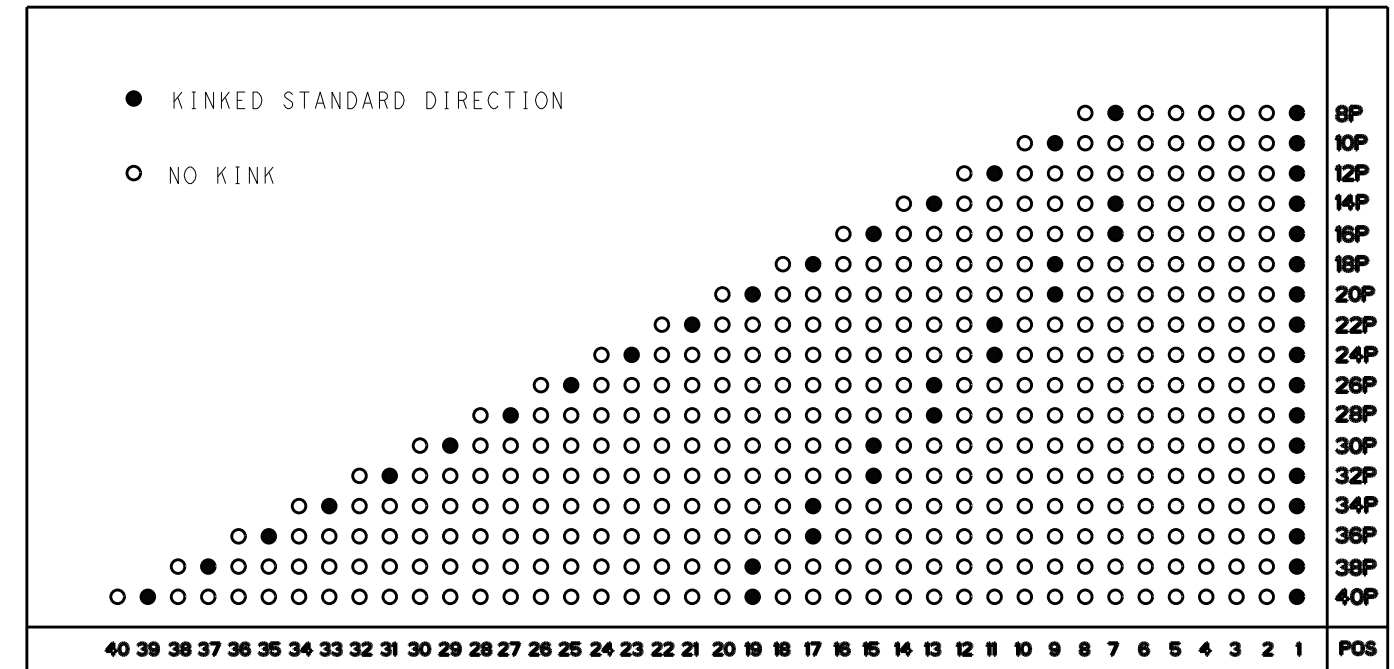
THIS DRAWING IS UNPUBLISHED. RELEASED FOR PUBLICATION 20  
 © COPYRIGHT 20 BY - ALL RIGHTS RESERVED.

LOC	DIST	REVISIONS			
P	LTR	DESCRIPTION	DATE	DWN	APVD
AF	50	-	SEE SHEET 1	-	-

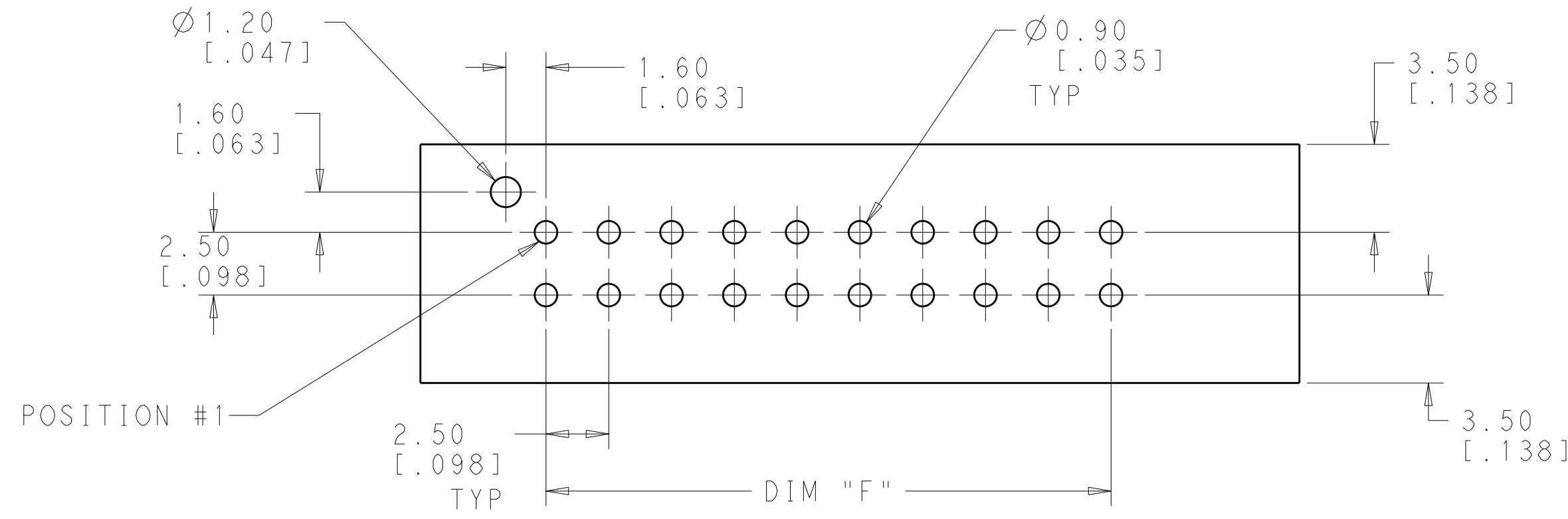


SINGLE LATCH DETAIL  
 1969570-8 SHOWN HERE  
 THESE DIM'S ARE FOR THE  
 1969570-8 AND 1-1969570-0

SINGLE LATCH DETAIL  
 1-1969570-6 SHOWN ON HERE  
 THESE DIM'S ARE FOR THE  
 1-1969570-2 THRU -16



KINKED PIN CHART



RECOMMENDED PCB LAYOUT

THIS DRAWING IS A CONTROLLED DOCUMENT.		DWN JR RUTH 02OCT12	TE Connectivity	
DIMENSIONS: mm [INCHES]		CHK KURT RANDOLPH 02OCT12		
TOLERANCES UNLESS OTHERWISE SPECIFIED:		APVD SAM MACF 02OCT12	NAME ASSEMBLY, PIN HEADER, EP 2.5, DUAL ROW, GLOW WIRE	
0 PLC ±	1 PLC ±	PRODUCT SPEC 108-2418	SIZE CAGE CODE DRAWING NO	
2 PLC ±0.25 [.010]	3 PLC ±	APPLICATION SPEC 114-13315	RESTRICTED TO	
4 PLC ±	ANGLES ±	WEIGHT -	A200779C-1969570	
FINISH ±		Customer Drawing	SCALE 4:1 SHEET 2 OF 2 REV B	
SEE NOTES		SEE NOTES		

## X-ON Electronics

Largest Supplier of Electrical and Electronic Components

*Click to view similar products for [Headers & Wire Housings](#) category:*

*Click to view products by [TE Connectivity](#) manufacturer:*

Other Similar products are found below :

[95000-104TRLF](#) [10135584-644402LF](#) [DF62W-EP2022PCA](#) [95000-106TRLF](#) [DF62W-2022SCA](#) [DF62W-EP2022PC](#) [2203348](#) [DF62W-2022SC](#) [1084018](#) [1029039](#) [1084017](#) [802-10-012-10-002000](#) [1112640](#) [1112639](#) [891-007-9SS-BST1T](#) [000-34000](#) [0008550134](#) [0009482033](#) [0009507031](#) [57102-F02-18ULF](#) [57102-S06-03LF](#) [57202-S52-04LF](#) [PCN6-15S-2.5E](#) [0039019024](#) [58102-G61-06LF](#) [582553-1](#) [0009485154](#) [0009508121](#) [0022285053](#) [0050291907](#) [018731A](#) [LY20-4P-DT1-P1E-BR](#) [02.125.8002.8](#) [60101931](#) [60598-1 \(Cut Strip\)](#) [M1625-3R/100](#) [61062-3](#) [61082-181009](#) [CSU011177004](#) [636-1427](#) [638009-1](#) [641938-9](#) [641991-4](#) [644168-1](#) [644827-2](#) [647662-1](#) [65039-019ELF](#) [65692-001LF](#) [65781-018](#) [65781-047](#)