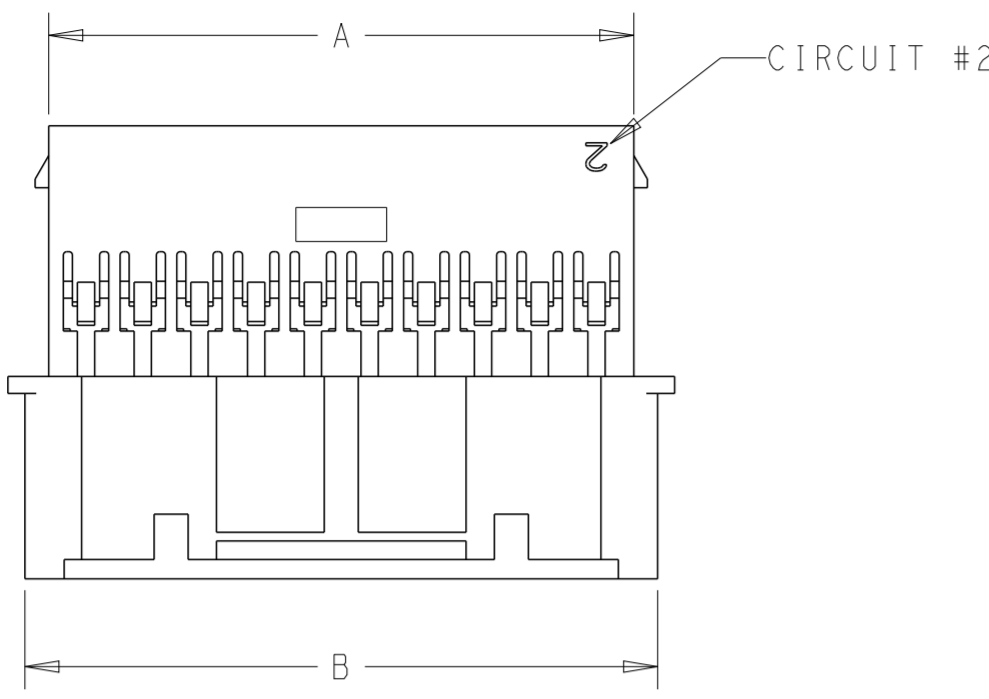
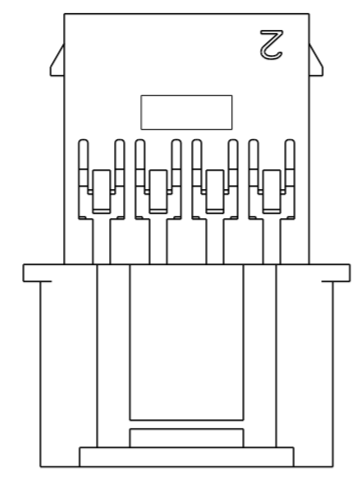


THIS DRAWING IS UNPUBLISHED. RELEASED FOR PUBLICATION 20  
 © COPYRIGHT 20 BY - ALL RIGHTS RESERVED.

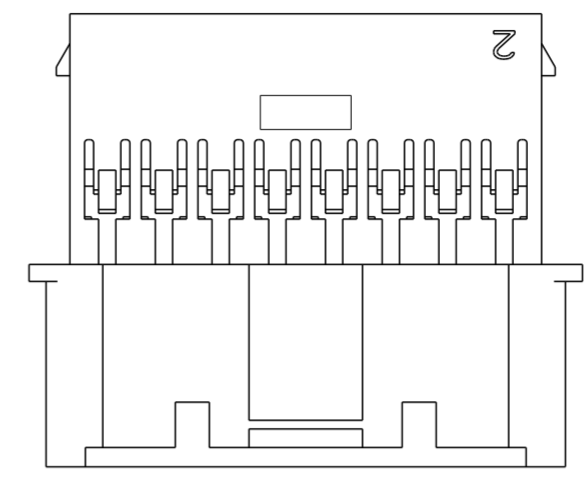
| LOC |     | DIST                      |           | REVISIONS |      |  |  |
|-----|-----|---------------------------|-----------|-----------|------|--|--|
| P   | LTR | DESCRIPTION               | DATE      | DWN       | APVD |  |  |
|     | B   | REVISED PER ECR-15-006219 | 29APR2015 | NK        | JR   |  |  |
|     |     |                           |           |           |      |  |  |
|     |     |                           |           |           |      |  |  |



1-1969592-8 THROUGH 4-1969592-0  
DOUBLE LATCH

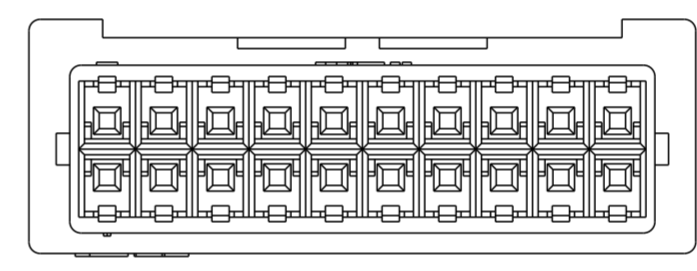
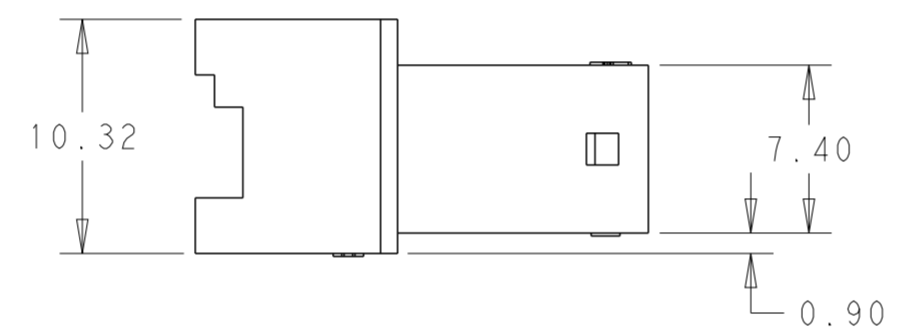
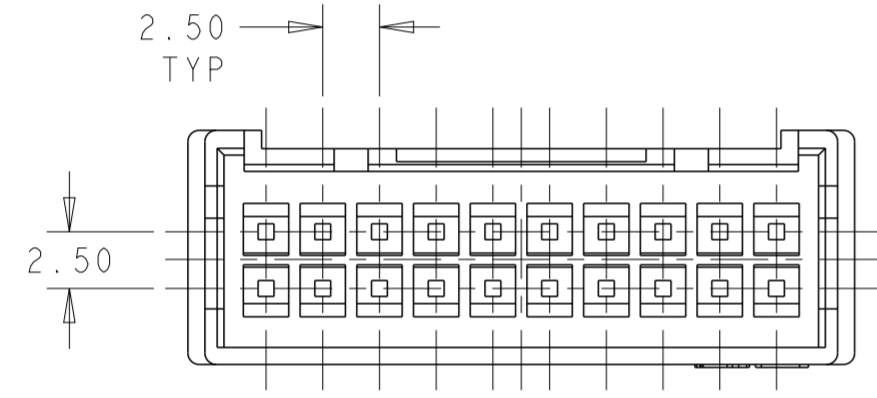


1969592-8 & 1-1969592-0  
SINGLE LATCH W/O CUTOUTS

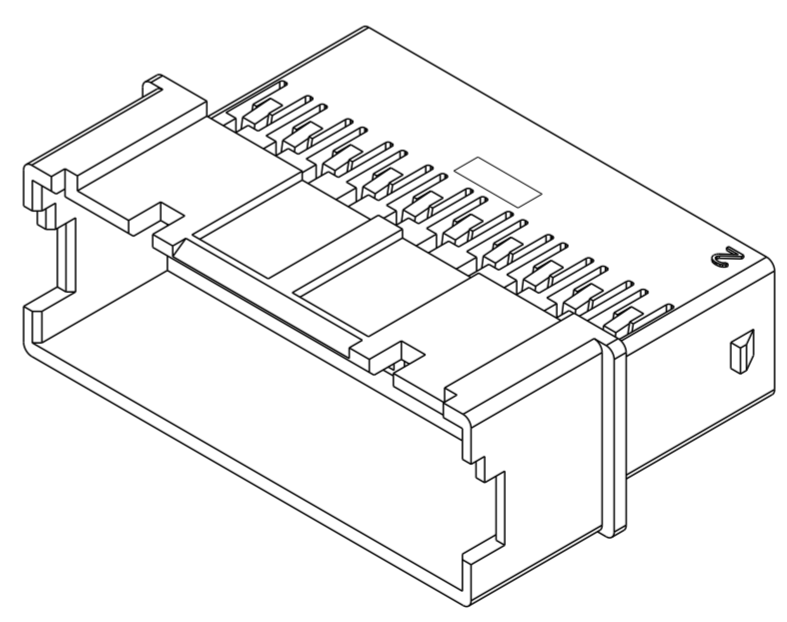
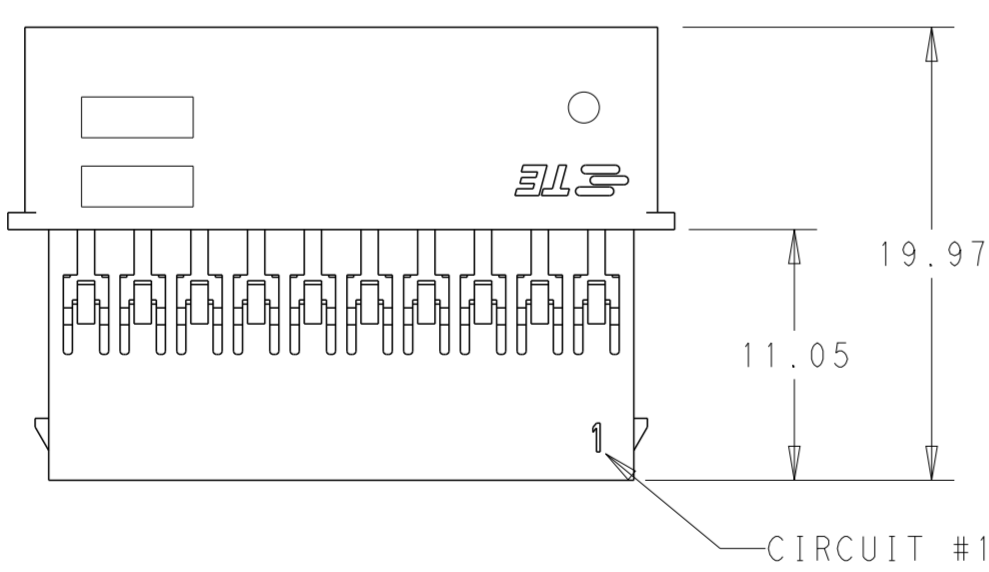


1-1969592-2, 1-1969592-4 & 1-1969592-6  
SINGLE LATCH W/ CUTOUTS

1. MATERIAL: NYLON UL94 - V0  
COLOR: WHITE
2. ACCEPTS TE PIN CONTACTS  
P/N'S 2238007 - ( )
3. HOUSING ACCEPTS OPTIONAL TPA  
P/N'S 1969541 - ( )
4. MATES WITH TE PLUG HOUSINGS  
P/N'S 1969540 - ( )



|     |       |       |             |
|-----|-------|-------|-------------|
| 40  | 52.89 | 50.79 | 4-1969592-0 |
| 38  | 50.39 | 48.29 | 3-1969592-8 |
| 36  | 47.89 | 45.79 | 3-1969592-6 |
| 34  | 45.39 | 43.29 | 3-1969592-4 |
| 32  | 42.89 | 40.79 | 3-1969592-2 |
| 30  | 40.39 | 38.29 | 3-1969592-0 |
| 28  | 37.89 | 35.79 | 2-1969592-8 |
| 26  | 35.39 | 33.29 | 2-1969592-6 |
| 24  | 32.89 | 30.79 | 2-1969592-4 |
| 22  | 30.39 | 28.29 | 2-1969592-2 |
| 20  | 27.89 | 25.79 | 2-1969592-0 |
| 18  | 25.39 | 23.29 | 1-1969592-8 |
| 16  | 22.89 | 20.79 | 1-1969592-6 |
| 14  | 20.39 | 18.29 | 1-1969592-4 |
| 12  | 17.89 | 15.79 | 1-1969592-2 |
| 10  | 15.39 | 13.29 | 1-1969592-0 |
| 8   | 12.89 | 10.79 | 1969592-8   |
| POS | DIM.B | DIM.A | PART NO.    |



THIS DRAWING IS A CONTROLLED DOCUMENT.

|             |  |                  |                      |
|-------------|--|------------------|----------------------|
| DIMENSIONS: | TOLERANCES UNLESS OTHERWISE SPECIFIED: | DWN              | A NOEL 27SEP2012     |
| mm          | 0 PLC ±                                | CHK              | K RANDOLPH 01OCT2012 |
|             | 1 PLC ±                                | APVD             | K RANDOLPH 01OCT2012 |
|             | 2 PLC ±0.25                            | PRODUCT SPEC     | 108-2418             |
|             | 3 PLC ±                                | APPLICATION SPEC | 114-13315            |
|             | 4 PLC ±                                | WEIGHT           | -                    |
|             | ANGLES ±                               |                  |                      |
|             | FINISH ±                               |                  |                      |
| MATERIAL    | SEE NOTES                              | Customer Drawing |                      |

TE Connectivity  
 EP 2.5 DUAL ROW, RECEPTACLE HSG WIRE TO WIRE

|       |           |            |               |
|-------|-----------|------------|---------------|
| SIZE  | CAGE CODE | DRAWING NO | RESTRICTED TO |
| A2    | 00779     | C-1969592  | -             |
| SCALE | SHEET     | OF         | REV           |
| 3:1   | 1         | 1          | B             |

## X-ON Electronics

Largest Supplier of Electrical and Electronic Components

*Click to view similar products for [Headers & Wire Housings](#) category:*

*Click to view products by [TE Connectivity](#) manufacturer:*

Other Similar products are found below :

[892-18-020-10-001101](#) [58102-G61-06LF](#) [582553-1](#) [0009485154](#) [009176003701906](#) [0050291907](#) [LY20-4P-DT1-P1E-BR](#) [02.125.8002.8](#)  
[609-3404](#) [61062-3](#) [61082-181009](#) [622-3653LF](#) [63453-116](#) [636-1030](#) [636-1427](#) [636-3427](#) [636-4007](#) [641938-9](#) [641991-4](#) [644827-2](#) [65817-](#)  
[010LF](#) [65817-015LF](#) [65863-015LF](#) [66207-023LF](#) [67095-007LF](#) [67601157](#) [68645-018](#) [68648-049](#) [70.362.1628.0](#) [70-4210](#) [70-4226B](#) [70-](#)  
[4853B](#) [707-5020](#) [707-5028](#) [71.350.2428.0](#) [71918-208LF](#) [71961-016LF](#) [733-134](#) [733-162](#) [754199-000](#) [760-3052](#) [787-8014-00](#) [79531-3000](#)  
[FCN-360C032-B](#) [FCN-367T-T012/H](#) [FCN-723D010/2](#) [80.063.4001.1](#) [800-90-001-10-001000](#) [800-90-010-10-002000](#) [801-43-002-10-013000](#)