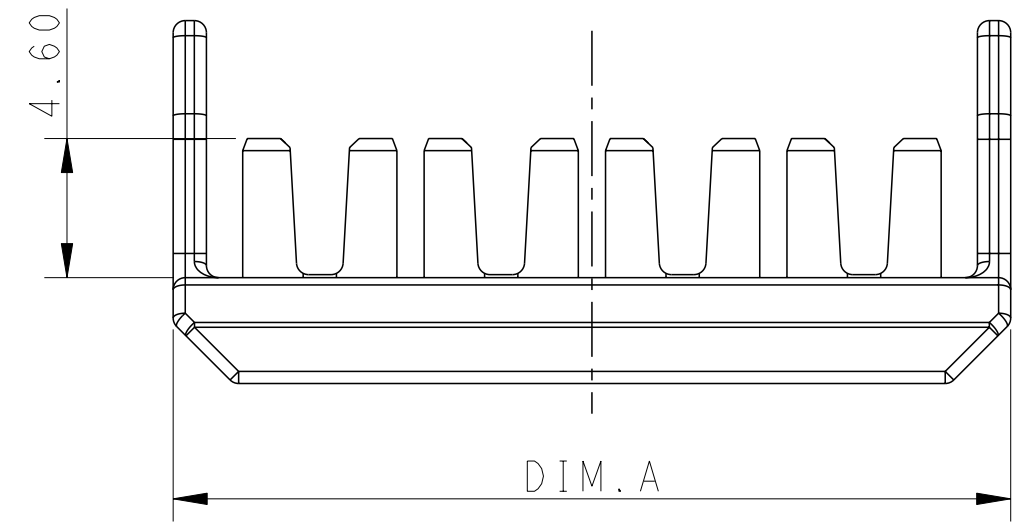
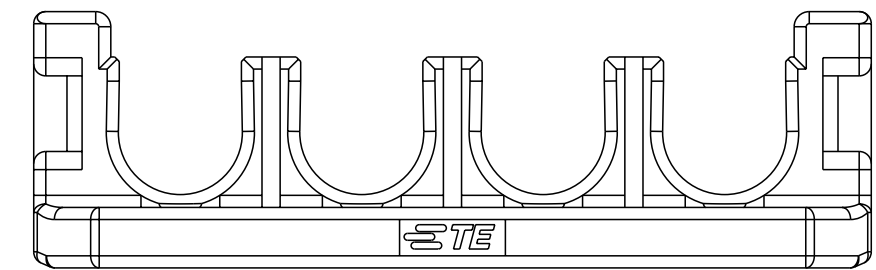
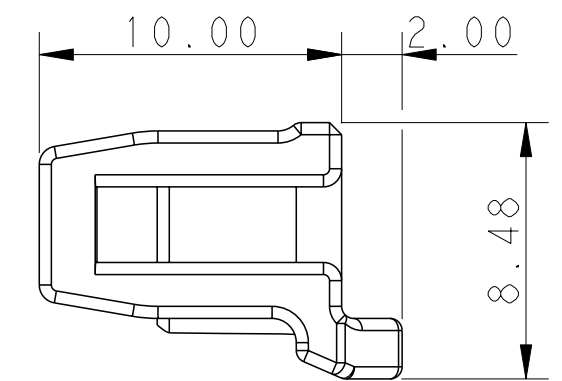
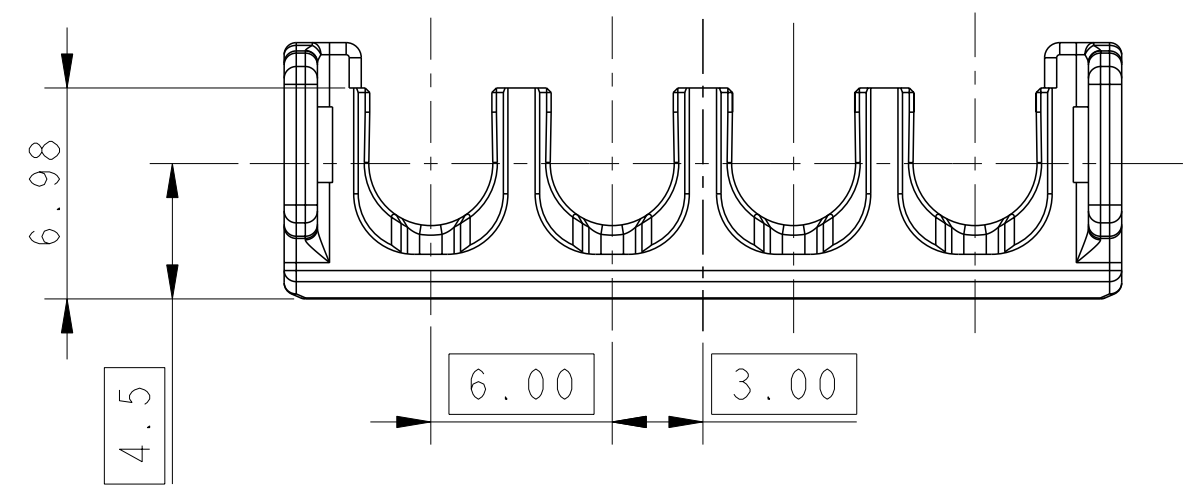
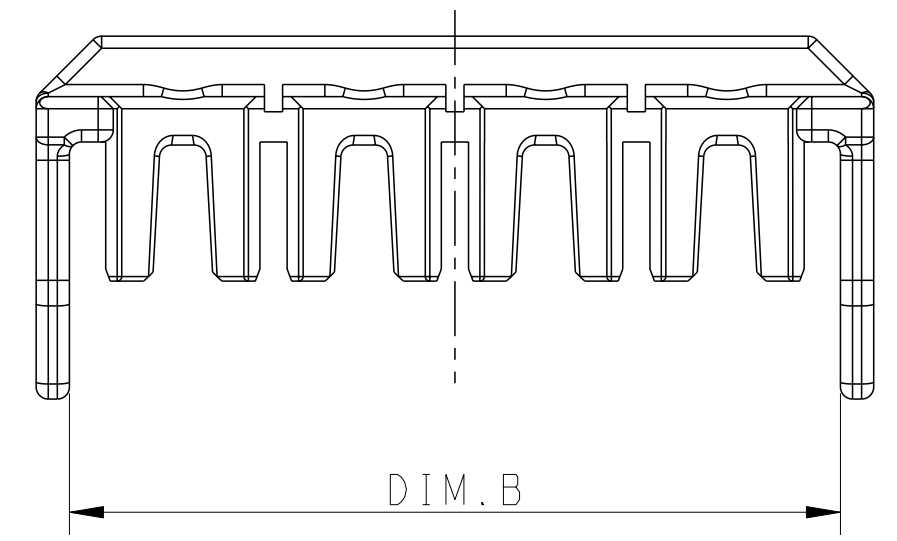


THIS DRAWING IS UNPUBLISHED. RELEASED FOR PUBLICATION 20
 © COPYRIGHT 20 BY - ALL RIGHTS RESERVED.

LOC		DIST		REVISIONS			
P	LTR	DESCRIPTION	DATE	DWN	APVD		
B1		REVISED PER ECR-18-004190	26MAR2018	BW	GJ		



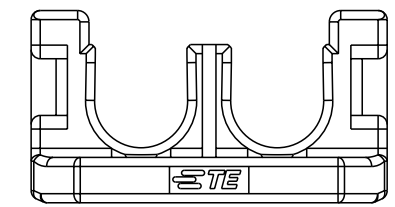
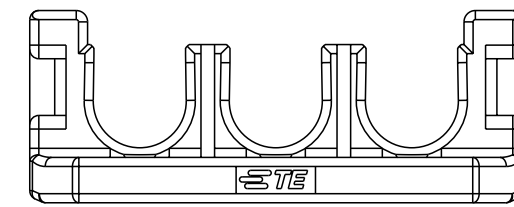
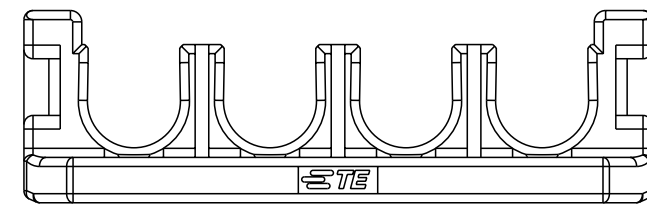
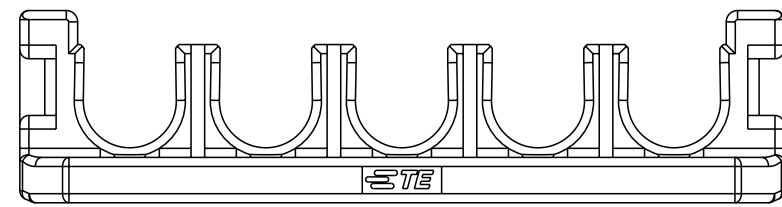
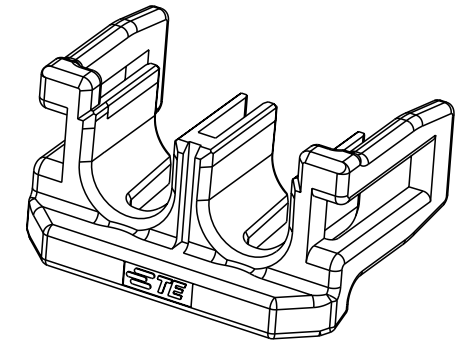
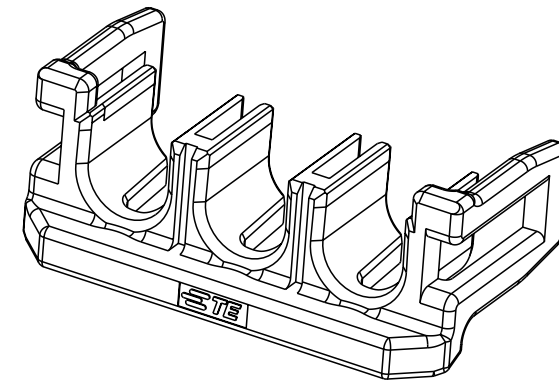
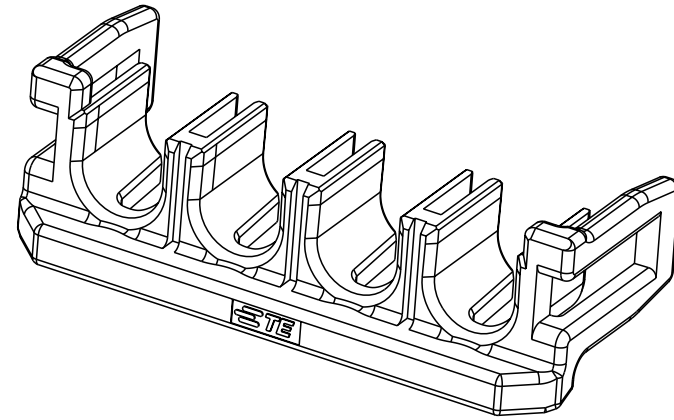
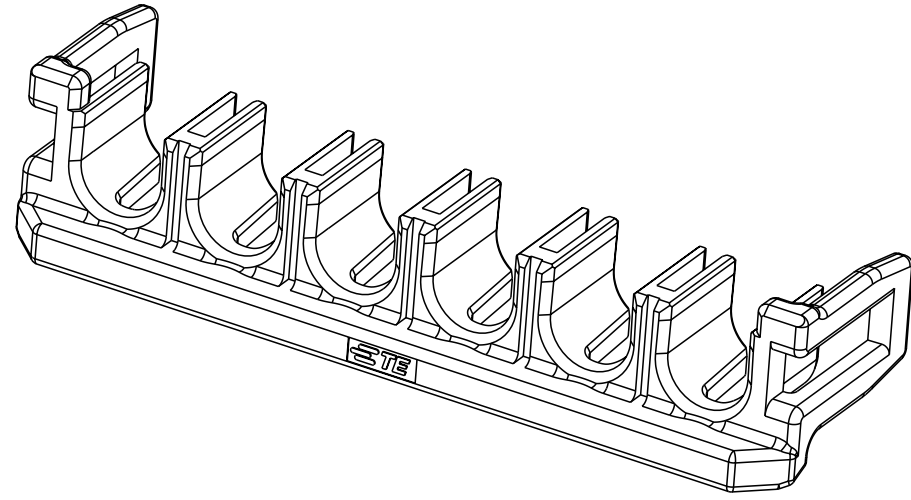
- NOTE
- 1 HIGH TEMP VERSIONS ARE RATED 150°C MAX AND ARE RECOMMENDED FOR USE WITH STANDARE TEMP, HIGH TEMP AND GLOW WIRE RATED HOUSINGS.
 - 2 HOT WIRE IGNITION(HWI) VERSIONS ARE MOLDED IN A RESIN THAT COMPLIES WITH TE HOT WIRE IGNITION TEST 109-32026 AND ARE RECOMMENDED FOR USE WITH HWI HOUSINGS THAT ALSO COMPLY.
 - 3. MATING CONN, P/N
 CAP HSG: *-1971*7*-*/*-22322***-*/*-22323***-
 PLUG HSG: *-1971*7*-*/*-22322***-*/*-22323***-*
 - 4. PRODUCT SPEC: 108-106118
 - 5. APPLICATION SPEC: 114-106118
 - 6. FLAMMABILITY RATING: UL94V-0
 - 7 THIS PRODUCT HAS NOT PASSED VALIDATION TESTING

POS.	DIM.A	DIM.B
1*5	33.70	31.5
1*4	27.70	25.5
1*3	21.70	19.5
1*2	15.70	13.5

THIS DRAWING IS A CONTROLLED DOCUMENT.		DWN TOMMY WU 09JUL2012	STE TE Connectivity	
		CHK HAPYE WU 09JUL2012		
DIMENSIONS: mm		APVD YUHONG MAO 09JUL2012	NAME DOUBLE LOCK PLATE, SINGLE ROW POWER TRIPLE LOCK	
TOLERANCES UNLESS OTHERWISE SPECIFIED:		PRODUCT SPEC 108-106118	SIZE CAGE CODE DRAWING NO RESTRICTED TO	
0 PLC ±		APPLICATION SPEC 114-106118	A200779 C-1971777	
1 PLC ±0.35		WEIGHT -	SCALE - SHEET 1 OF 2 REV B1	
2 PLC ±0.25		Customer Drawing		
3 PLC ±				
4 PLC ±				
ANGLES ±				
FINISH				
SEE TABLE				

THIS DRAWING IS UNPUBLISHED. RELEASED FOR PUBLICATION 20
 © COPYRIGHT 20 BY - ALL RIGHTS RESERVED.

LOC		DIST		REVISIONS			
P	LTR	DESCRIPTION	DATE	DWN	APVD		
-	-	SEE SHEET 1	-	-	-		




1*5 POSITIONS

1*4 POSITIONS

1*3 POSITIONS

1*2 POSITIONS

BLACK	PBT GF	HWI	△2	1*2	3-1971777-2
NATURAL	PBT GF	HWI	△2	1*5	2-1971777-5
NATURAL	PBT GF	HWI	△2	1*4	2-1971777-4
NATURAL	PBT GF	HWI	△2	1*3	2-1971777-3
NATURAL	PBT GF	HWI	△2	1*2	2-1971777-2
BLACK	NYLON	HIGH TEMP	△1	1*5	1971777-5
BLACK	NYLON	HIGH TEMP	△1	1*4	1971777-4
BLACK	NYLON	HIGH TEMP	△1	1*3	1971777-3
BLACK	NYLON	HIGH TEMP	△1	1*2	1971777-2
COLOR	MATERIAL	TYPE	△1	POSITIONS	P/N

THIS DRAWING IS A CONTROLLED DOCUMENT.		DWN TOMMY WU 09JUL2012	 TE Connectivity	
DIMENSIONS: mm		CHK HAPYE WU 09JUL2012		
TOLERANCES UNLESS OTHERWISE SPECIFIED:		APVD YUHONG MAO 09JUL2012	NAME DOUBLE LOCK PLATE, SINGLE ROW POWER TRIPLE LOCK	
0 PLC ± - 1 PLC ± 0.35 2 PLC ± 0.25 3 PLC ± - 4 PLC ± - ANGLES ± - FINISH		PRODUCT SPEC 108-106118	SIZE A2	CAGE CODE 00779
MATERIAL SEE TABLE		APPLICATION SPEC 114-106118	DRAWING NO C-1971777	RESTRICTED TO -
		WEIGHT -	SCALE -	SHEET 2 OF 2 REV B1

X-ON Electronics

Largest Supplier of Electrical and Electronic Components

Click to view similar products for [Headers & Wire Housings](#) category:

Click to view products by [TE Connectivity](#) manufacturer:

Other Similar products are found below :

[0015917161](#) [0022155065](#) [57102-F02-18ULF](#) [58102-G61-06LF](#) [582553-1](#) [01.001.5753.1](#) [0050291907](#) [02.125.8002.8](#) [609-3404](#) [61062-3](#)
[CSU011177004](#) [622-0430](#) [622-3653LF](#) [63453-116](#) [636-1030](#) [636-1427](#) [636-3427](#) [636-4007](#) [641938-9](#) [65495-038](#) [65692-001LF](#) [65781-018](#)
[65781-047](#) [65817-010LF](#) [65817-015LF](#) [67095-007LF](#) [67601157](#) [68631-112](#) [68645-018](#) [699319-000](#) [70.362.1628.0](#) [70-4210](#) [70-4226B](#) [70-](#)
[4853B](#) [71.350.2428.0](#) [733-134](#) [733-162](#) [MHR-64-VUAL](#) [80.063.4001.1](#) [800-90-001-10-001000](#) [801-43-002-10-013000](#) [801-43-006-10-](#)
[002000](#) [803-43-024-10-001000](#) [803-93-012-10-001000](#) [8-1437020-4](#) [819-22-004-30-001101](#) [820-22-006-30-001101](#) [820-22-008-30-001101](#)
[821-22-002-10-001101](#) [821-22-003-10-002101](#)