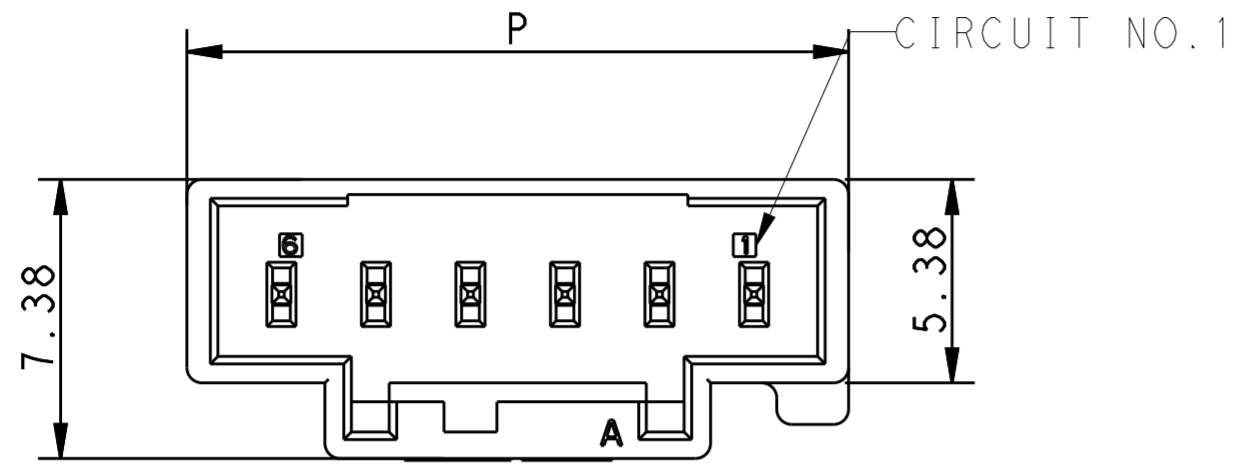


THIS DRAWING IS UNPUBLISHED. RELEASED FOR PUBLICATION
 © COPYRIGHT BY - TE CONNECTIVITY ALL RIGHTS RESERVED.

LOC		DIST		REVISIONS			
P	LTR	DESCRIPTION	DATE	DWN	APVD		
B		ADD 4P/7P PRODUCT	28MAY2013	H.J.Z	YH.M		
C		ECR-13-015990	17OCT2013	H.J.Z	YH.M		
D		ECR-14-002989	28FEB2014	M.T	D.Z		

6Pos header housing assembly



NOTES:

- 1.GENERAL TOLERANCE: ±0.3
- 2.MATERIAL SEE TABLE 1
- 3.MATING CONN. P/N:SEE TABLE(SHEET 3)

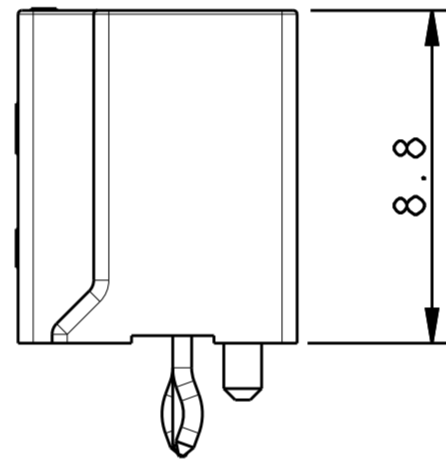
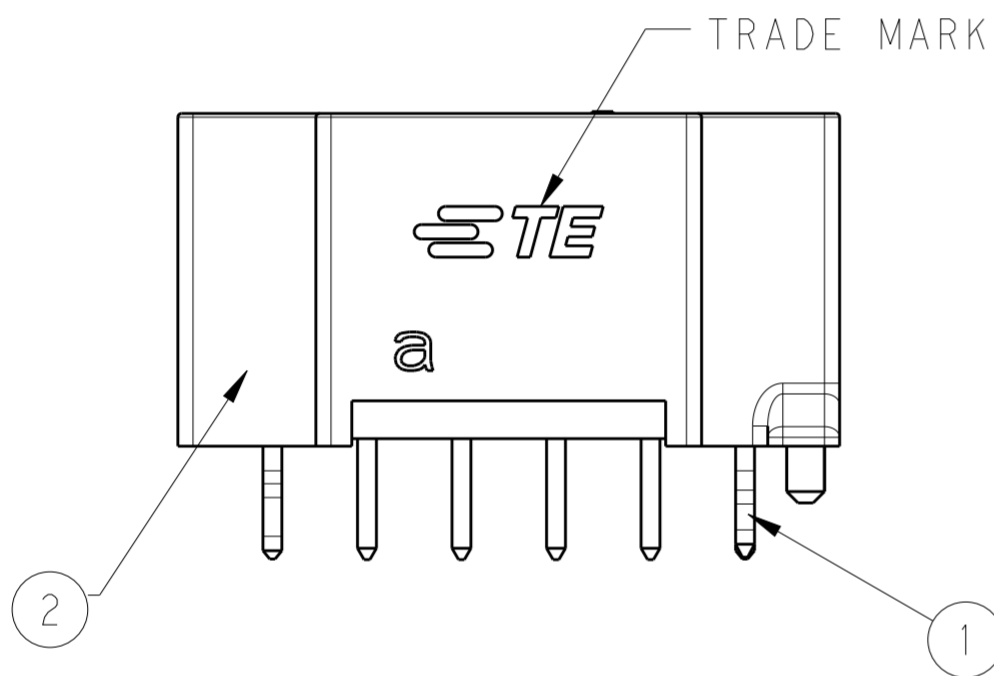
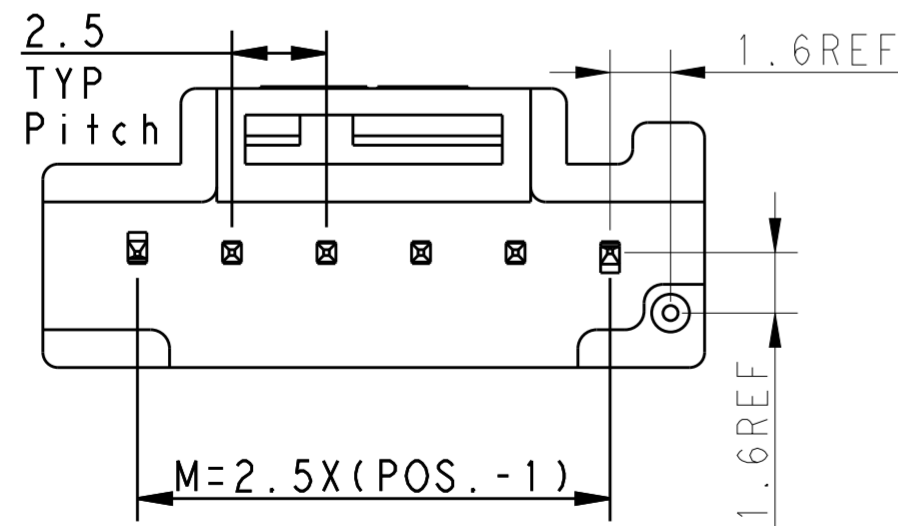


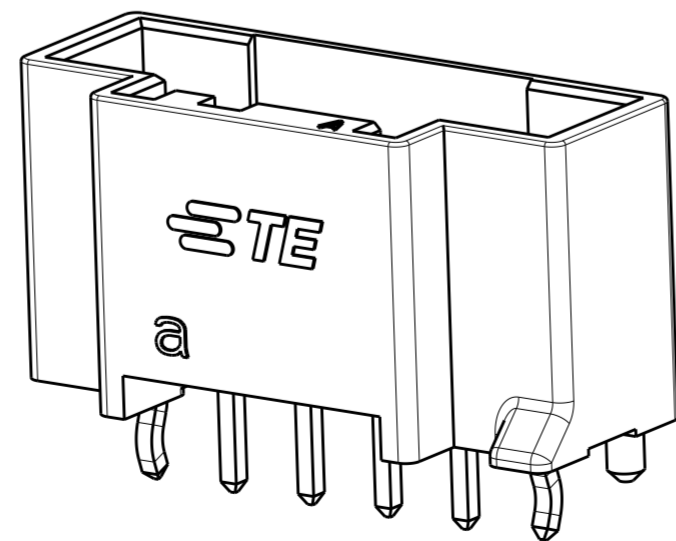
TABLE 1

NO.	PART NAME	MATERIAL
①	POST CONTACT	COPPER ALLOY, TIN PLATING
②	HEADER HOUSING	THERMO PLASTIC UL94 V-0



RECOMMENDATION PCB LAYOUT
 推荐PCB板孔尺寸

PUNCHED HOLE: $\varnothing 0.7^{+0.1}$
 DRILLED HOLE: 0.8 ± 0.1
 1.6 ± 0.05
 $\varnothing 1.2 \pm 0.05$
 1.6 ± 0.05
 W: Minimum PCB width for connector
 $W = (\text{POS.} + 1) * 2.5$

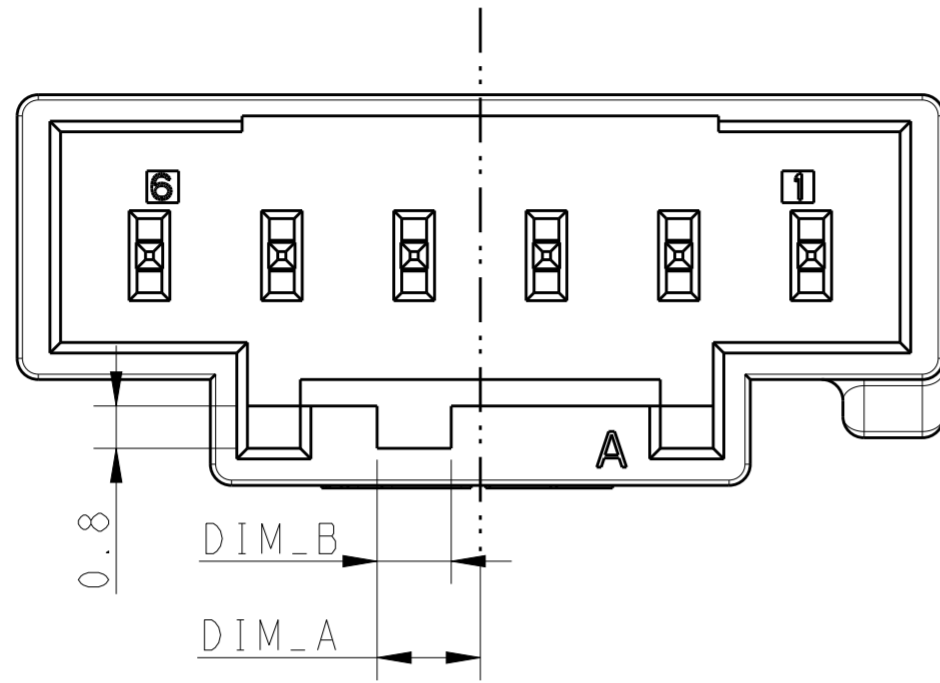


THIS DRAWING IS A CONTROLLED DOCUMENT.		DWN: H.J.Z 28MAY2013	TE Connectivity	
DIMENSIONS: mm		CHK: TIM.D 28MAY2013		
TOLERANCES UNLESS OTHERWISE SPECIFIED:		APVD: YH.M 28MAY2013	NAME: HEADER ASSY, PITCH 2.5 WITH BOSS D1.0	
0 PLC ± 0.3 1 PLC ± 0.3 2 PLC ± 0.3 3 PLC ± 0.01 4 PLC ± 0.0001 ANGLES ± - FINISH ± -		PRODUCT SPEC: 108-106077	NEXT GENERATION	
MATERIAL		APPLICATION SPEC: -	GRACE INERTIA CONNECTOR	
		WEIGHT: -	SIZE: A2	RESTRICTED TO: -
		Customer Drawing	CAGE CODE: -	DRAWING NO: 1971798
		SCALE: /	SHEET: 1 OF 3	REV: D

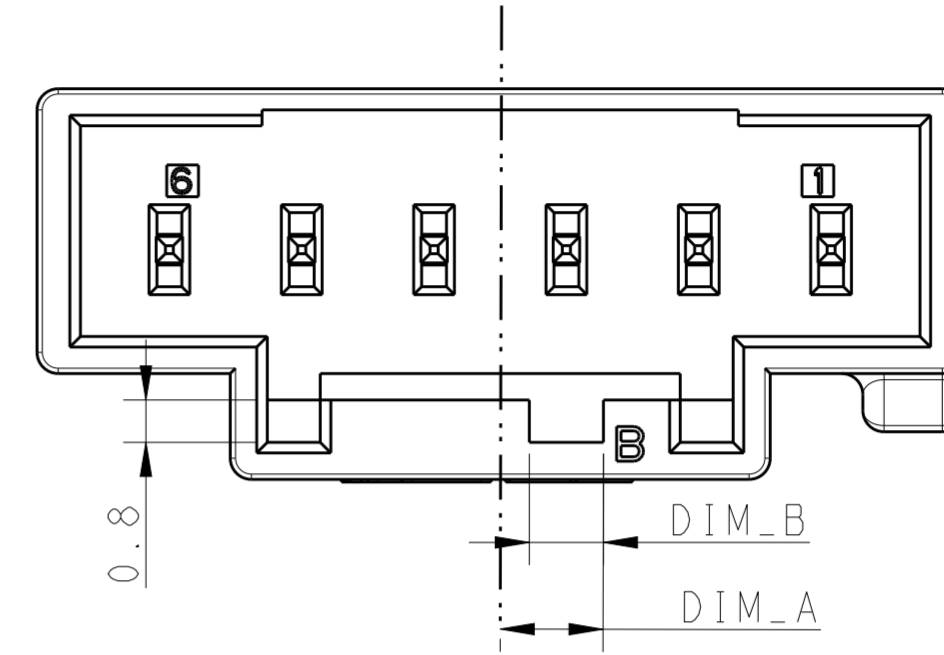
THIS DRAWING IS UNPUBLISHED. RELEASED FOR PUBLICATION
 © COPYRIGHT BY - TE CONNECTIVITY ALL RIGHTS RESERVED.

LOC	DIST	P	LTR	DESCRIPTION	DATE	DWN	APVD
-	-	-	-	SEE SHEET 1	-	-	-

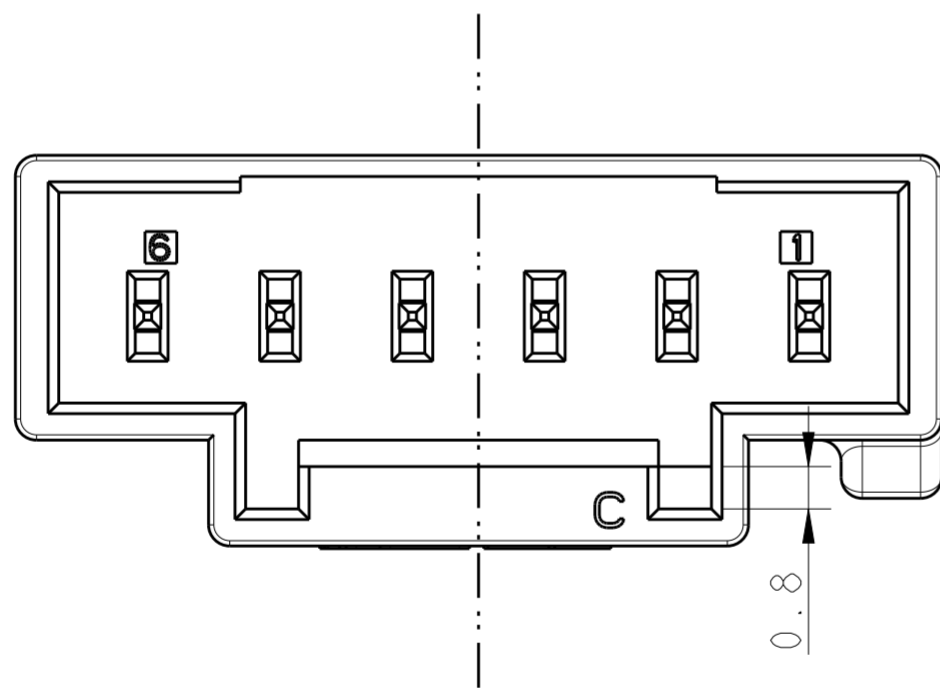
KEYING - A



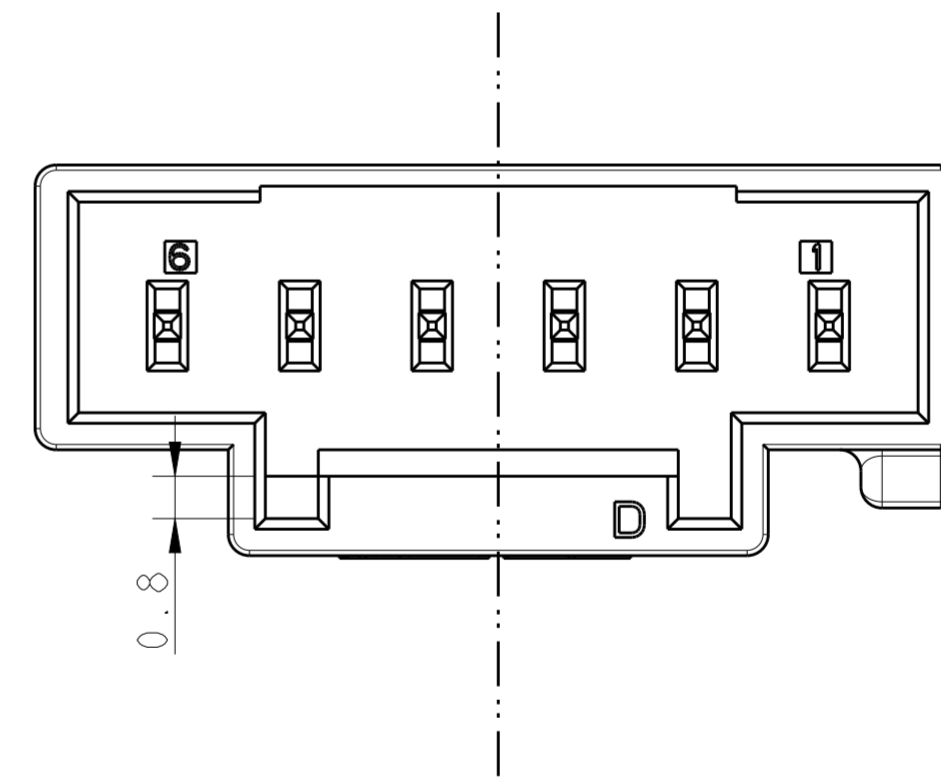
KEYING - B



KEYING - C



KEYING - D



DIMENSION MATRIX FOR KEYING

1.4	2.4	8P
1.4	2.4	7P
1.4	1.95	6P
1.4	1.95	5P
1.4	1.6	4P
1.4	1.3	3P
1.25	1.05	2P
DIM_B	DIM_A	POS.

THIS DRAWING IS A CONTROLLED DOCUMENT.

DWN	H.J.Z	28MAY2013	 TE Connectivity	NAME HEADER ASSY, PITCH 2.5 WITH BOSS D1.0 NEXT GENERATION GRACE INERTIA CONNETOR
CHK	H.J.Z	28MAY2013		
APVD	Y.H.M	28MAY2013		
PRODUCT SPEC	108-106077			
MATERIAL			SIZE	A2
			CAGE CODE	-
			DRAWING NO	1971798
			RESTRICTED TO	-
			SCALE	/
			SHEET	2 OF 3
			REV	D

Customer Drawing


THIS DRAWING IS UNPUBLISHED. RELEASED FOR PUBLICATION
 © COPYRIGHT BY - TE CONNECTIVITY ALL RIGHTS RESERVED.

LOC	DIST	P	LTR	DESCRIPTION	DATE	DWN	APVD
-	-	-	-	SEE SHEET 1	-	-	-

MATING CONN P/N	P	M	Pos.	COLOR	KEYING	PART NUMBER	DESCRIPTION
3-2232701-4	10	5	3	YELLOW	D	3-1971798-4	△1
3-2232701-2	10	5	3	BLUE	B	3-9171798-2	△1
2-2232701-1	7.5	2.5	2	NATURAL	A	2-1971798-1	△1
8-1971793-5	22.5	17.5	8	BLACK	D	8-1971798-5	
8-1971793-4				YELLOW	D	8-1971798-4	
8-1971793-3				RED	C	8-1971798-3	
8-1971793-2				BLUE	B	8-1971798-2	
8-1971793-1	20.0	15.0	7	NATURAL	A	8-1971798-1	
7-1971793-5				BLACK	D	7-1971798-5	
7-1971793-4				YELLOW	D	7-1971798-4	
7-1971793-3				RED	C	7-1971798-3	
7-1971793-2	17.5	12.5	6	BLUE	B	7-1971798-2	
7-1971793-1				NATURAL	A	7-1971798-1	
6-1971793-5				BLACK	D	6-1971798-5	
6-1971793-4				YELLOW	D	6-1971798-4	
6-1971793-3	15.0	10.0	5	RED	C	6-1971798-3	
6-1971793-2				BLUE	B	6-1971798-2	
6-1971793-1				NATURAL	A	6-1971798-1	
5-1971793-5				BLACK	D	5-1971798-5	
5-1971793-4	12.5	7.5	4	YELLOW	D	5-1971798-4	
5-1971793-3				RED	C	5-1971798-3	
5-1971793-2				BLUE	B	5-1971798-2	
5-1971793-1				NATURAL	A	5-1971798-1	
4-1971793-5	10.0	5	3	BLACK	D	4-1971798-5	
4-1971793-4				YELLOW	D	4-1971798-4	
4-1971793-3				RED	C	4-1971798-3	
4-1971793-2				BLUE	B	4-1971798-2	
4-1971793-1	7.5	2.5	2	NATURAL	A	4-1971798-1	
3-1971793-5				BLACK	D	3-1971798-5	
3-1971793-4				YELLOW	D	3-2232730-4	
3-1971793-3				RED	C	3-1971798-3	
3-1971793-2	7.5	2.5	2	BLUE	B	3-2232730-2	
3-1971793-1				NATURAL	A	3-1971798-1	
2-1971793-5				BLACK	D	2-1971798-5	
2-1971793-4				YELLOW	D	2-1971798-4	
2-1971793-3	7.5	2.5	2	RED	C	2-1971798-3	
2-1971793-2				BLUE	B	2-1971798-2	
2-1971793-1				NATURAL	A	2-2232730-1	
MATING CONN P/N	P	M	Pos.	COLOR	KEYING	PART NUMBER	DESCRIPTION

HEADER ASSEMBLY

△ Restricted to special customer (Hair)

THIS DRAWING IS A CONTROLLED DOCUMENT.		DWN	HJ.Z	28MAY2013	 TE Connectivity	
DIMENSIONS: mm		CHK	HJ.Z	28MAY2013		
TOLERANCES UNLESS OTHERWISE SPECIFIED		APVD	YH.M	28MAY2013		
0 PLC ± 0.3 1 PLC ± 0.3 2 PLC ± 0.3 3 PLC ± 0.015 4 PLC ± 0.001 ANGLES ± - FINISH		NAME	HEADER ASSY, PITCH 2.5 WITH BOSS D1.0 NEXT GENERATION GRACE INERTIA CONNETOR			
MATERIAL		PRODUCT SPEC	108-106077		SIZE	A2
		APPLICATION SPEC			CAGE CODE	-
		WEIGHT	-		DRAWING NO	G-1971798
		Customer Drawing			RESTRICTED TO	-
		SCALE	/		SHEET	3 OF 3
					REV	D

X-ON Electronics

Largest Supplier of Electrical and Electronic Components

Click to view similar products for [Headers & Wire Housings](#) category:

Click to view products by [TE Connectivity](#) manufacturer:

Other Similar products are found below :

[892-18-020-10-001101](#) [58102-G61-06LF](#) [582553-1](#) [0009485154](#) [009176003701906](#) [0050291907](#) [LY20-4P-DT1-P1E-BR](#) [02.125.8002.8](#)
[609-3404](#) [61062-3](#) [61082-181009](#) [622-3653LF](#) [63453-116](#) [636-1030](#) [636-1427](#) [636-3427](#) [636-4007](#) [641938-9](#) [641991-4](#) [644827-2](#) [65817-](#)
[010LF](#) [65817-015LF](#) [65863-015LF](#) [66207-023LF](#) [67095-007LF](#) [67601157](#) [68645-018](#) [68648-049](#) [70.362.1628.0](#) [70-4210](#) [70-4226B](#) [70-](#)
[4853B](#) [707-5020](#) [707-5028](#) [71.350.2428.0](#) [71918-208LF](#) [71961-016LF](#) [733-134](#) [733-162](#) [754199-000](#) [760-3052](#) [79531-3000](#) [FCN-](#)
[360C032-B](#) [FCN-367T-T012/H](#) [FCN-723D010/2](#) [80.063.4001.1](#) [800-90-010-10-002000](#) [801-43-002-10-013000](#) [801-43-006-10-002000](#)
[801-93-011-10-001000](#)