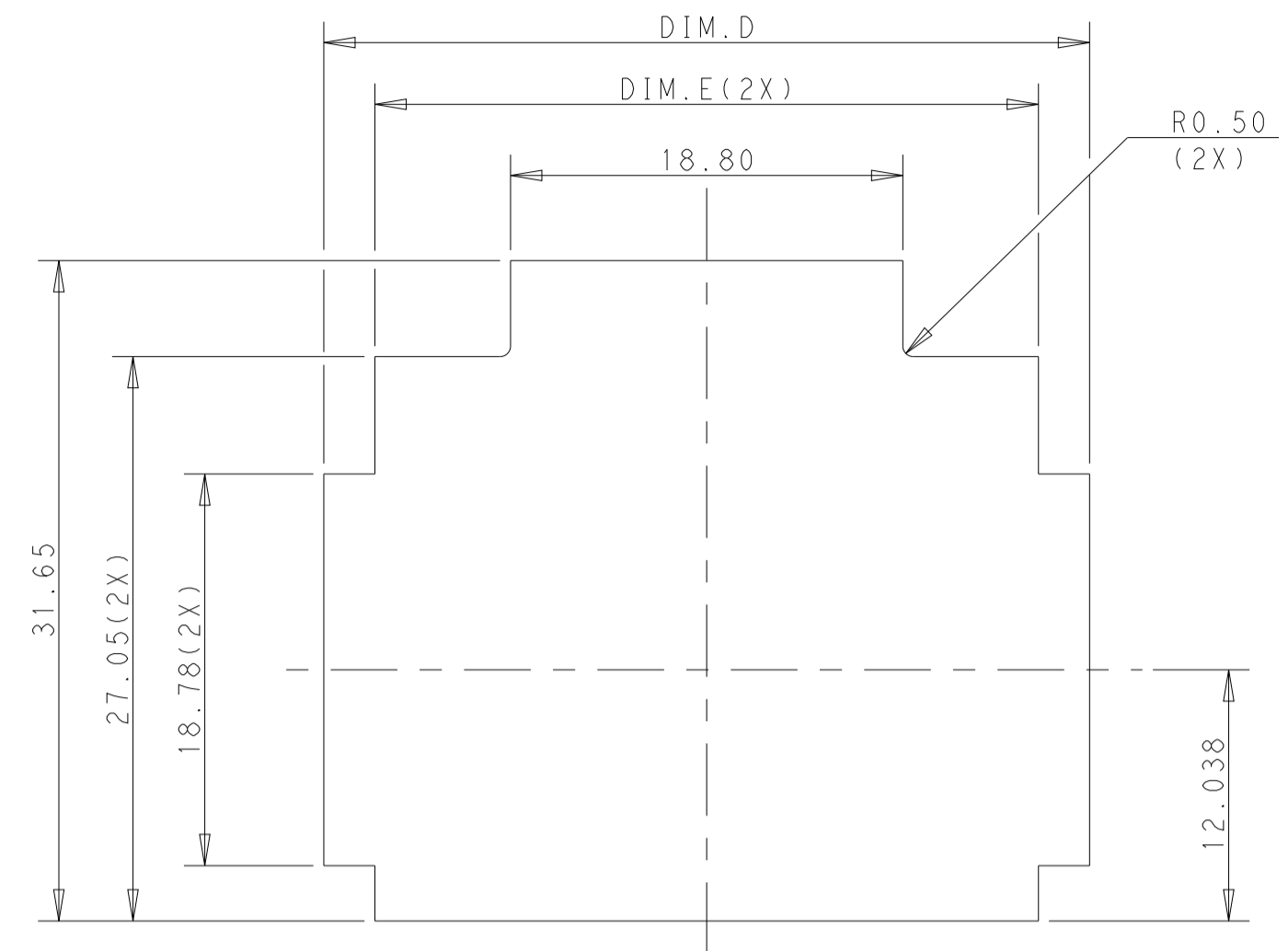
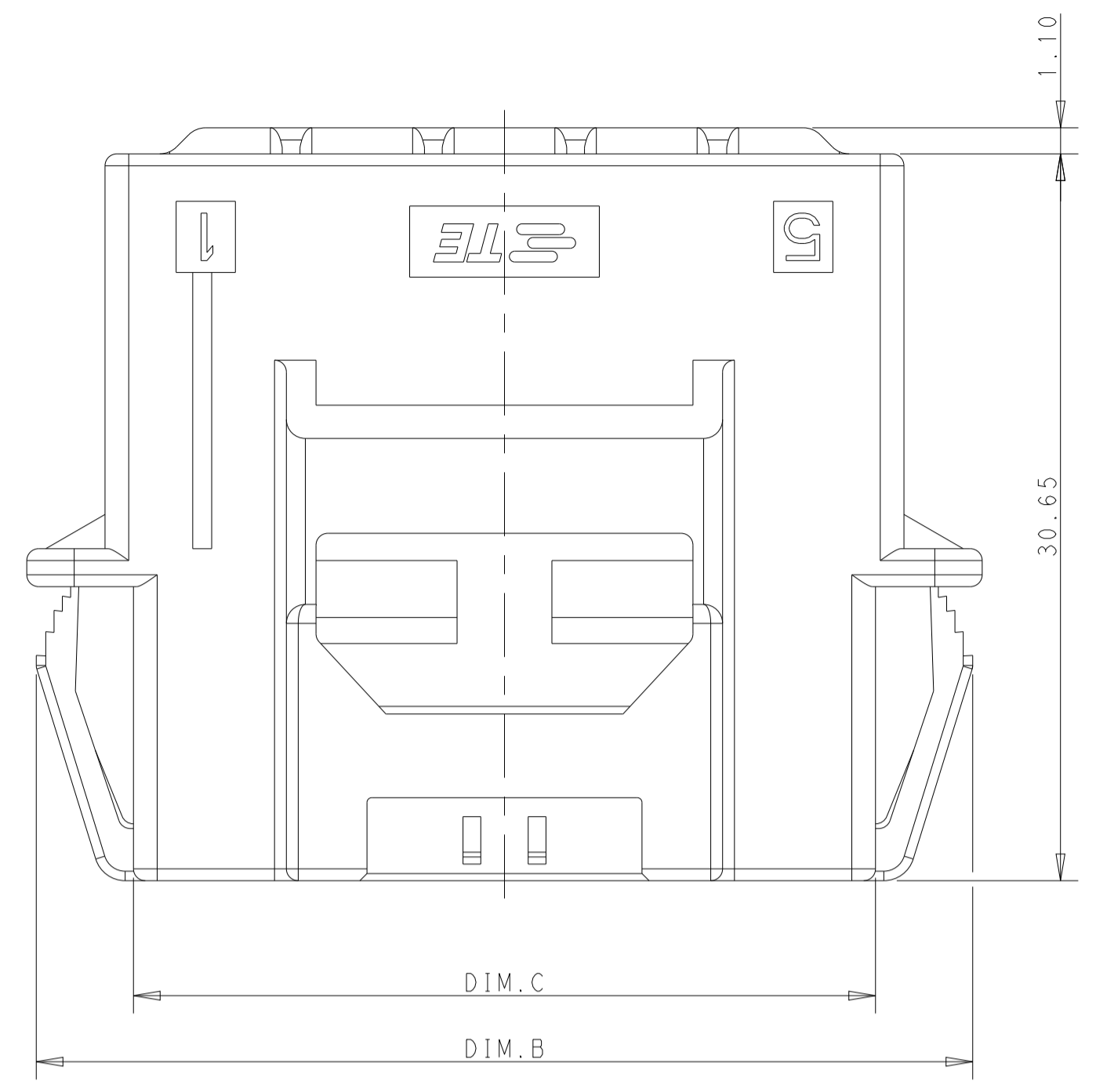
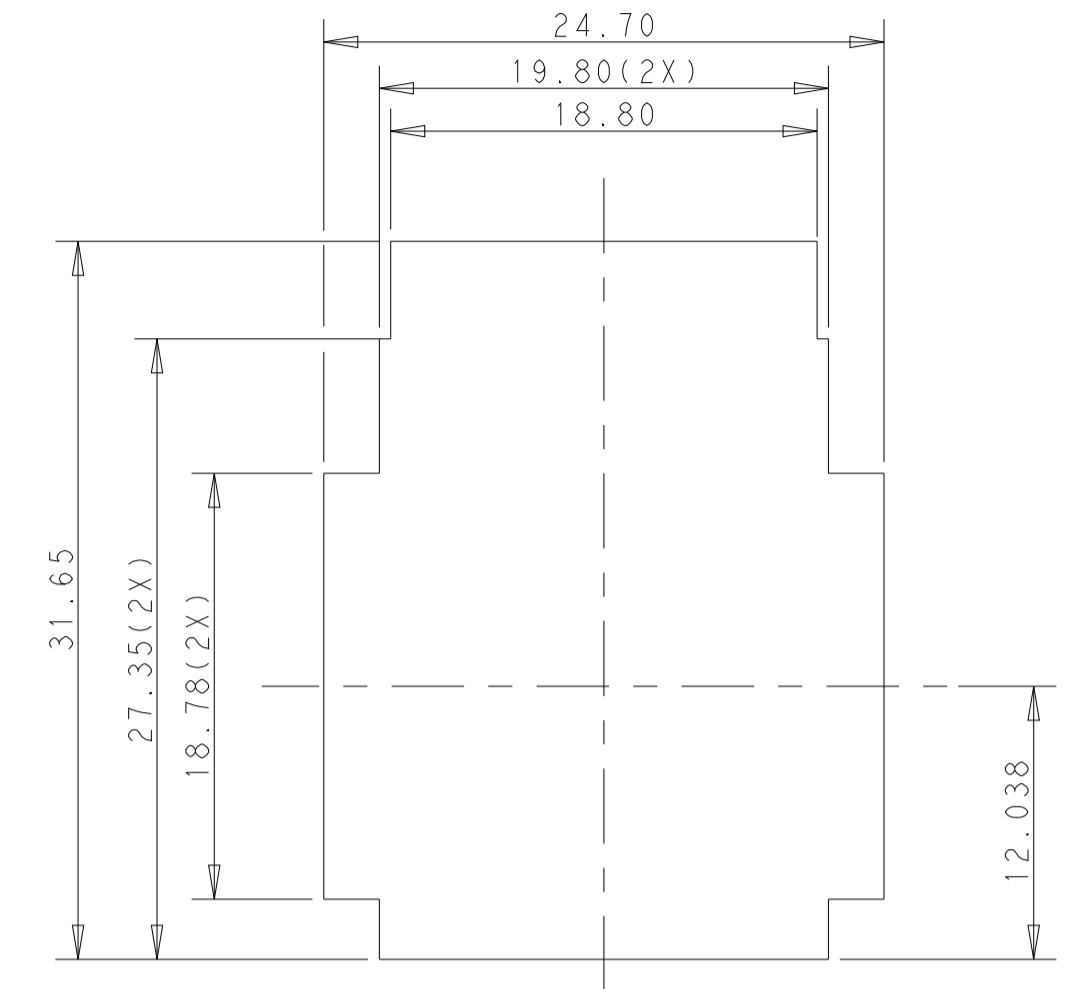


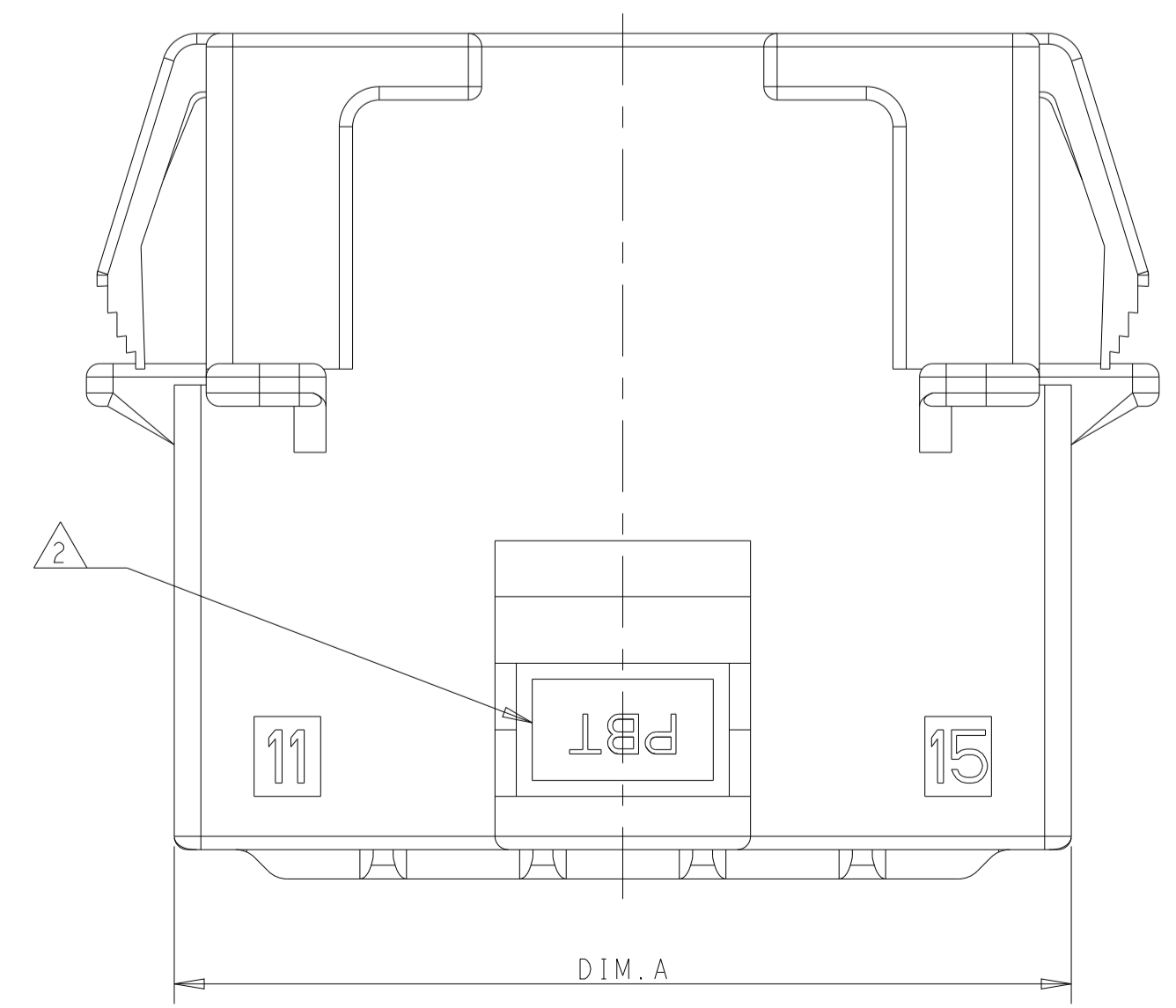
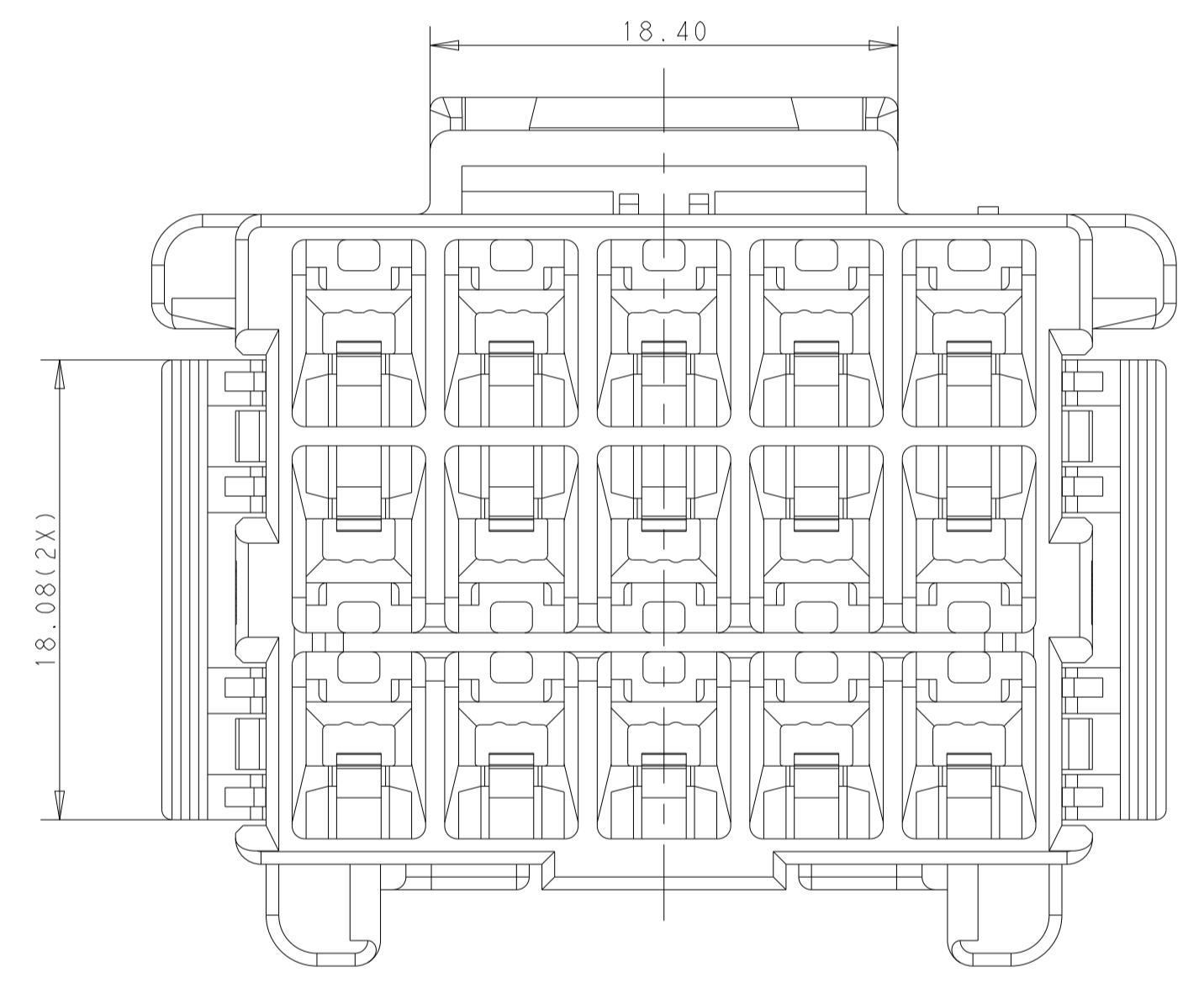
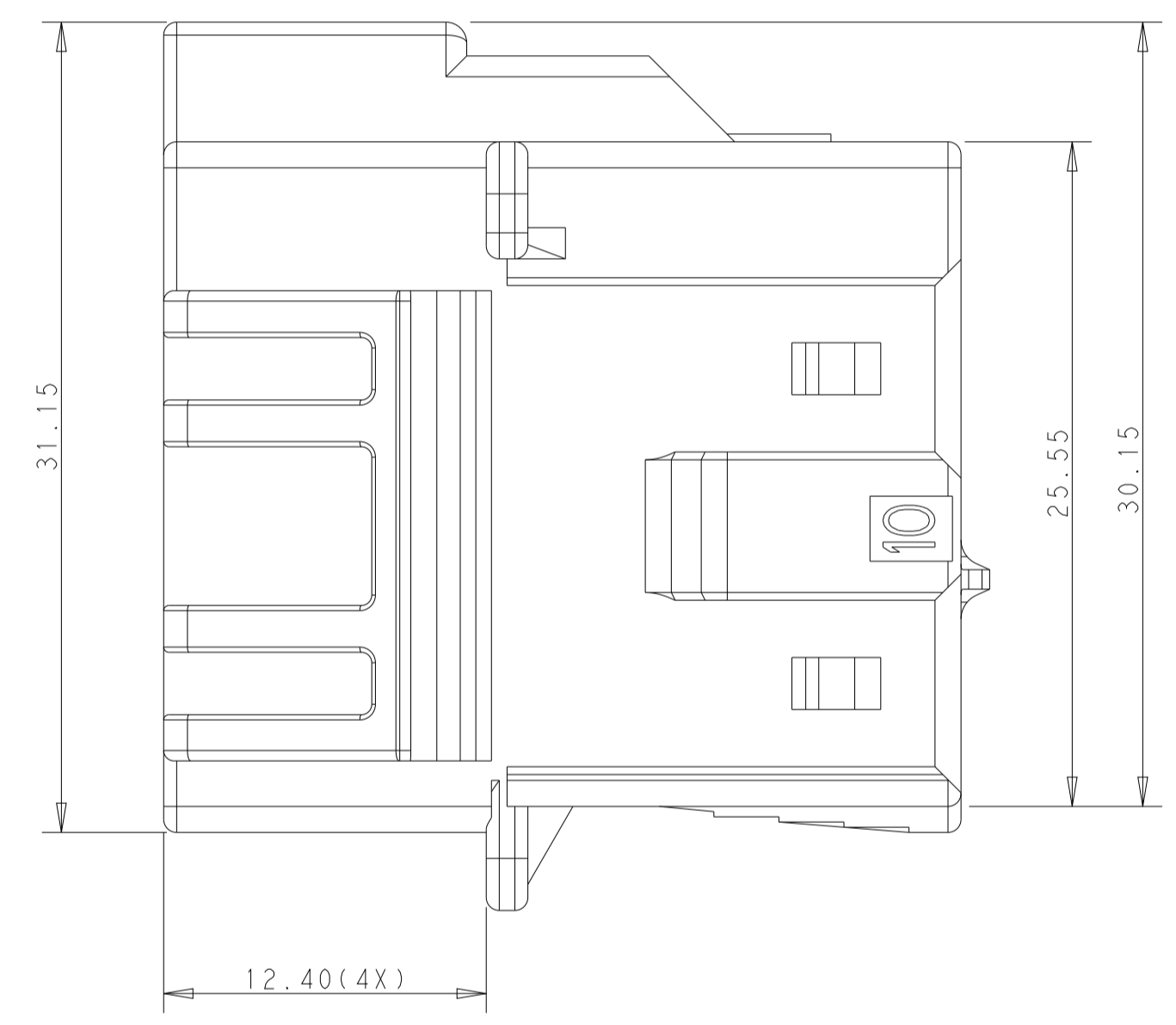
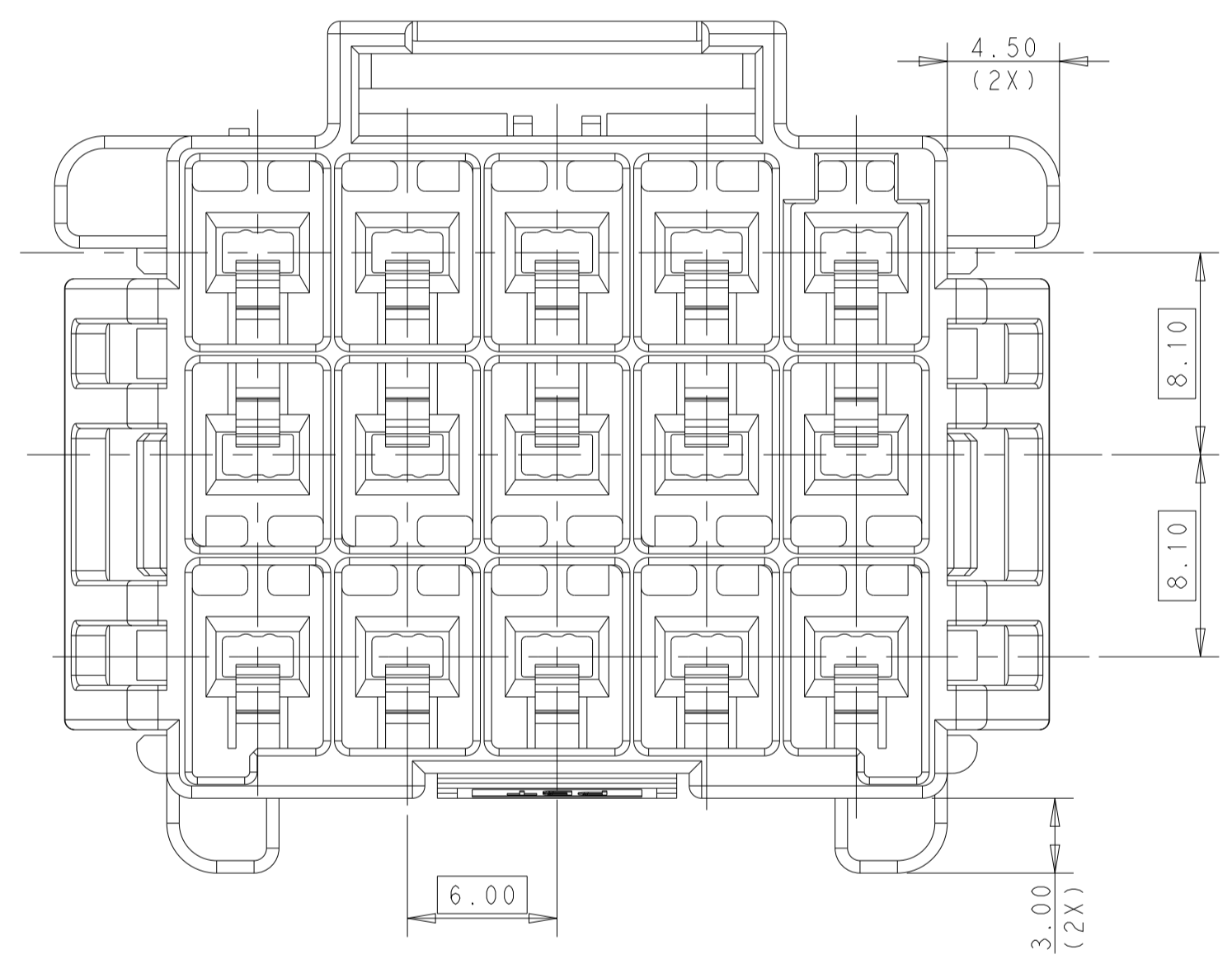
REVISIONS				
P	LTM	DESCRIPTION	DATE	APVD
E		REVISED PER ECR-21-100678	08APR2021	SS VS
F		REVISED PER ECR-20-100915	28APR2021	JP VS



RECOMMENDED PANEL OPENING DIMENSIONS FOR CAP HOUSING 3\*5 AND 3\*4 POSITIONS (TOLERANCE: ±0.15mm)



RECOMMENDED PANEL OPENING DIMENSIONS FOR CAP HOUSING 3\*3 POSITION (TOLERANCE: ±0.15mm)



- 1 MATERIAL:  
 LEVEL 1: PBT, STANDARD TEMPERATURE 105°C  
 KEY A:NATURAL; KEY B:PURPLE; KEY C:BLUE; KEY D:YELLOW  
 LEVEL 2: PA66, HIGH TEMPERATURE 150°C  
 KEY A:LIGHT GREY; KEY B:RED; KEY C:BLACK; KEY D:NATURAL
- 2 MATERIAL MARK:  
 LEVEL 1:PBT, LEVEL 2:HDT
- 3. APPLICABLE CONTACT P/N  
 TAB CONTACT:1971238/1971780/82/84/86/88-\*,2238067-\*
- 4. MATING CONN, P/N  
 PLUG HSG:\*-1971876-\*,  
 TPA DOUBLE ROW:\*-1971778-\*,SINGLE ROW:\*-1971777-\*
- 5. RECOMMENDED PANEL THICKNESS:1.0-2.0mm
- 6 GLOW WIRE COMPLIANT IN ACCORDANCE WITH IEC 60335-1. THIS IS BASED ON THE PRODUCT MEETING A GWPT 850°C TEST AND RESIN GWIT GREATER THAN OR EQUAL TO 775°C.

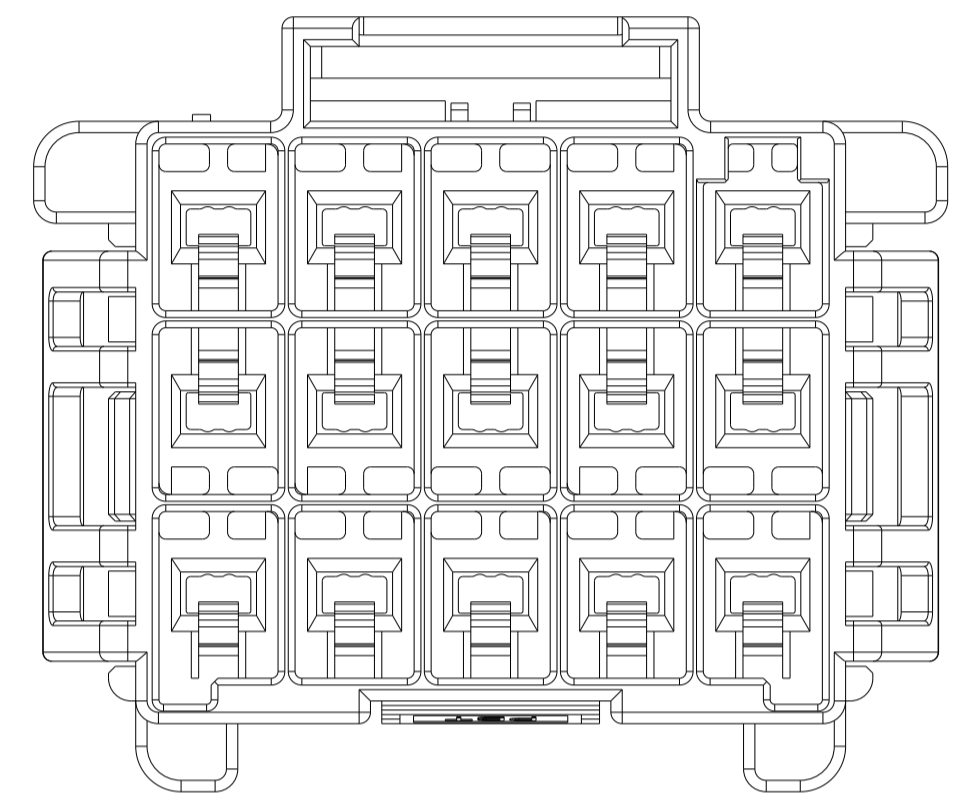
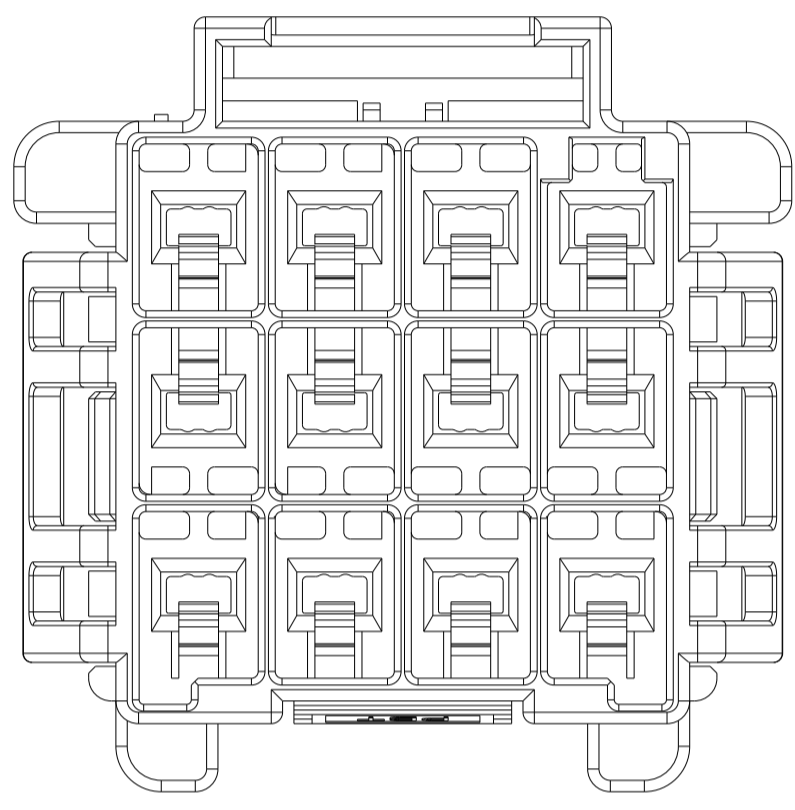
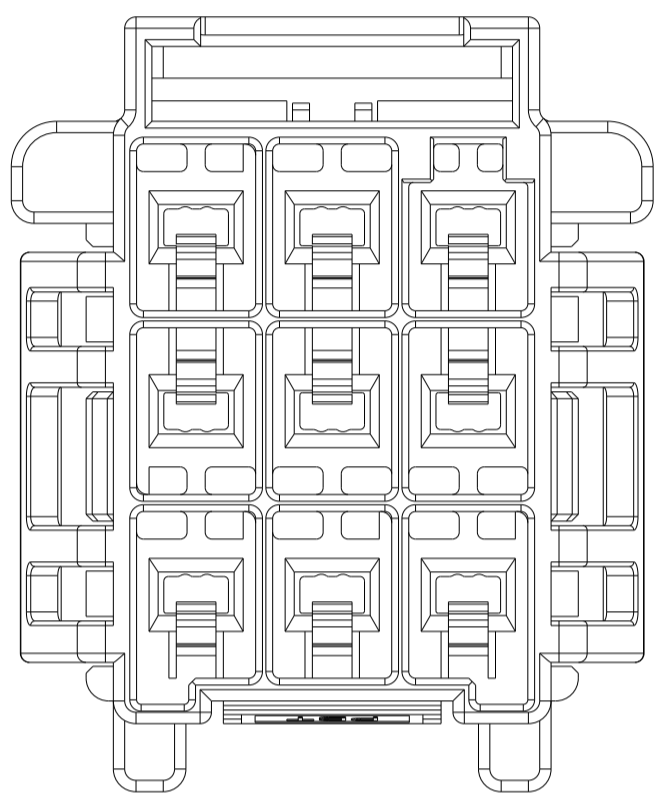
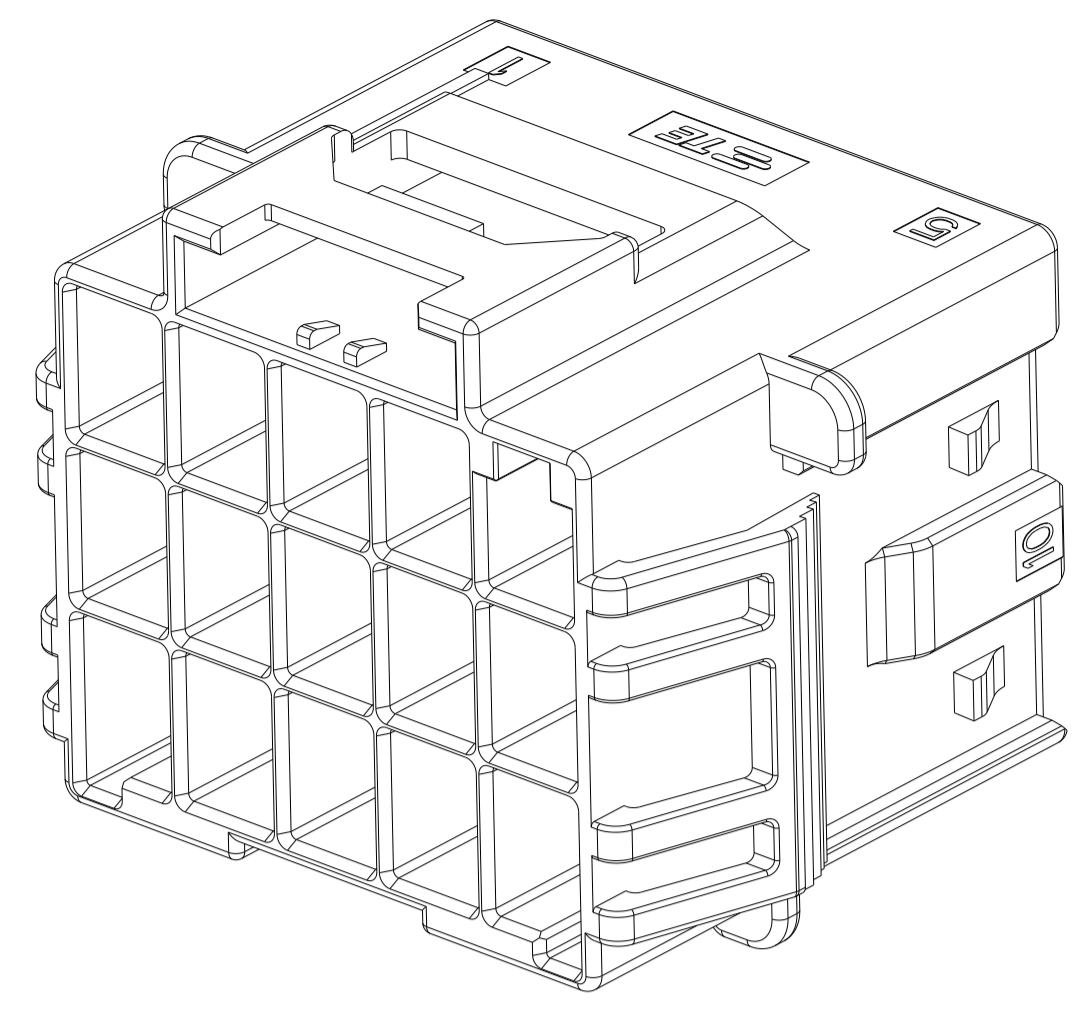
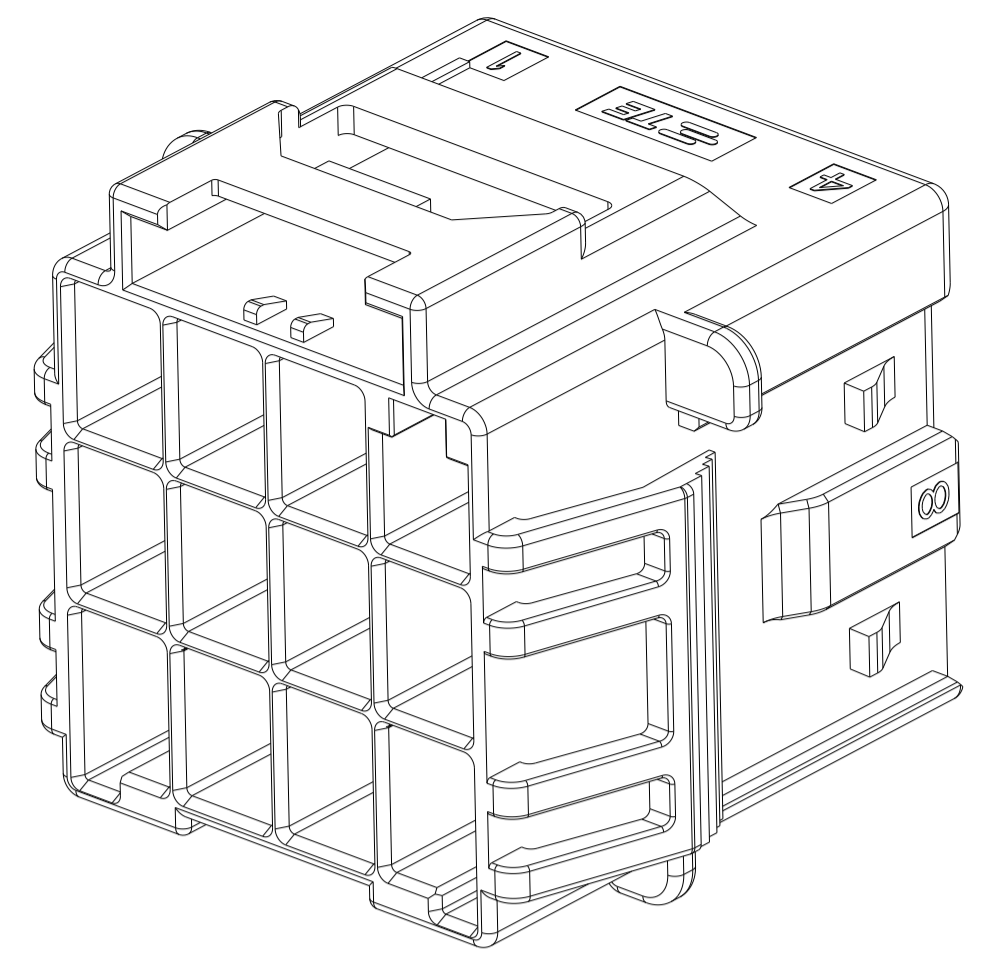
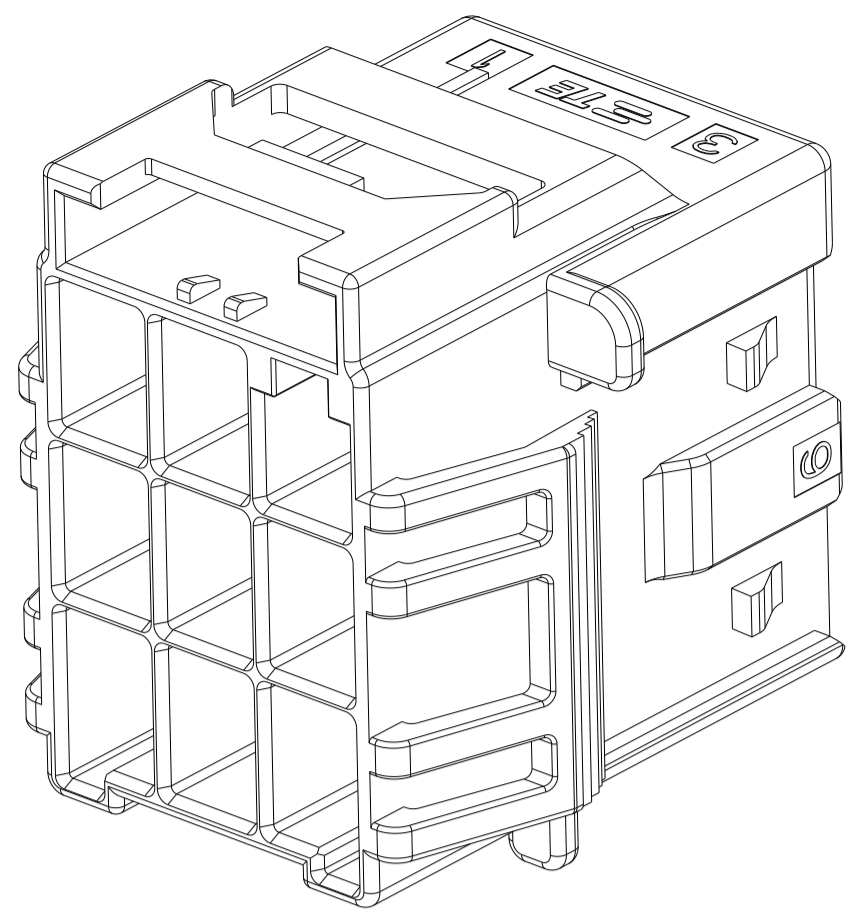
POS	A	B	C	D	E
3*5	33.70	39.5	31.30	36.70	31.80
3*4	27.70	33.5	25.30	30.70	25.80
3*3	21.70	27.5	19.30		

THIS DRAWING IS A CONTROLLED DOCUMENT.

DIMENSIONS:	TOLERANCES UNLESS OTHERWISE SPECIFIED:	DWN TOMMY WU 06JUL2012	CHK HAPYE WU 06JUL2012
mm	0 PLC ±0.35 1 PLC ±0.25 2 PLC ±0.25 3 PLC ±0.25 4 PLC ±0.25 ANGLES ±0.5° FINISH	APVD YUHONG MAO 06JUL2012	NAME: CAP HOUSING, PANEL MOUNT, TRIPLE ROW POWER TRIPLE LOCK
MATERIAL		PRODUCT SPEC 108-106118	APPLICATION SPEC 114-106118
		SIZE CAGE CODE DRAWING NO	RESTRICTED TO
		WEIGHT	A100779C=1971875
		Customer Drawing	SCALE 4:1 SHEET 1 OF 2 REV F

TE Connectivity

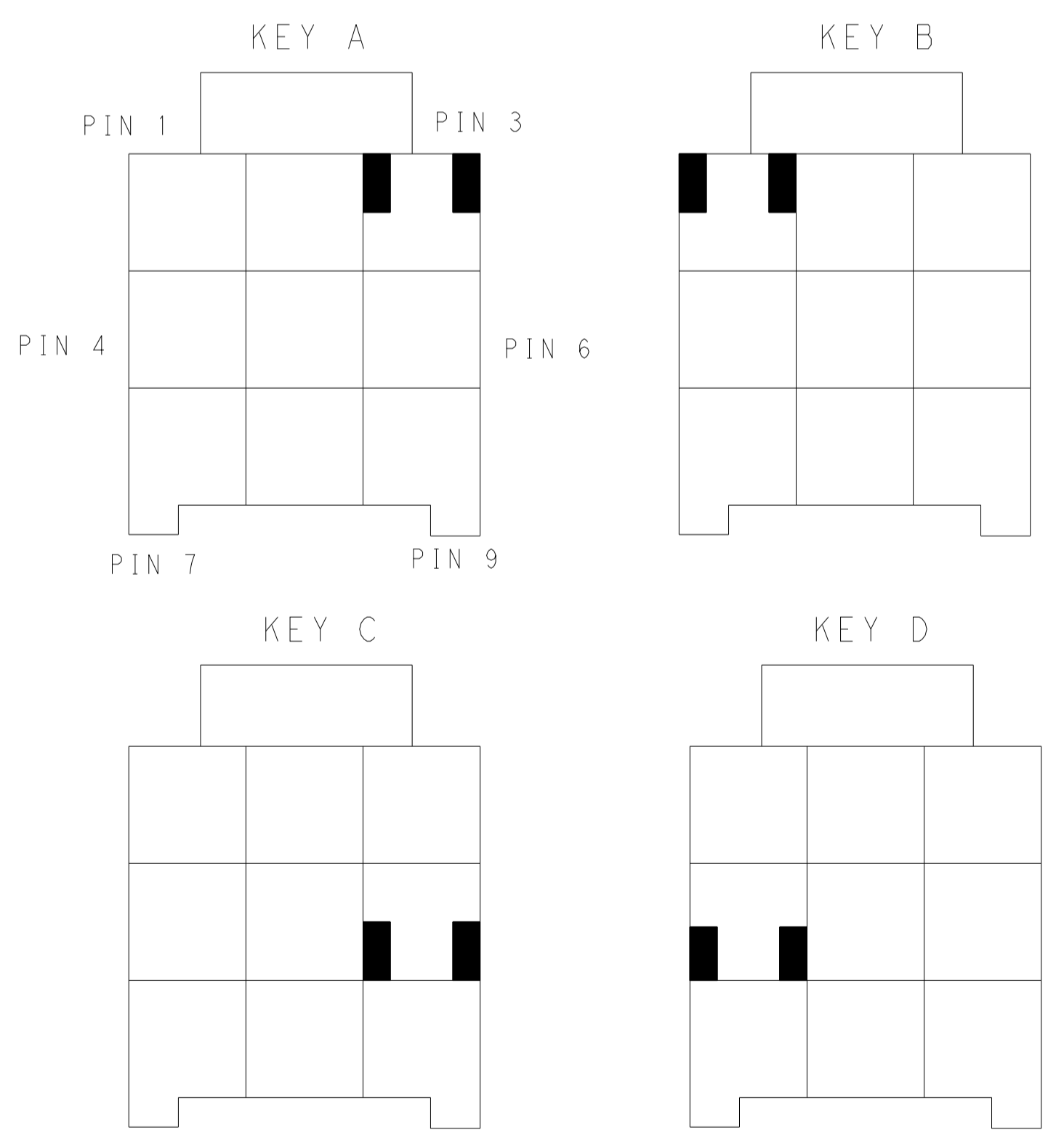
REVISIONS				
P	LTN	DESCRIPTION	DATE	APVD
-	SEE SHEET 1			



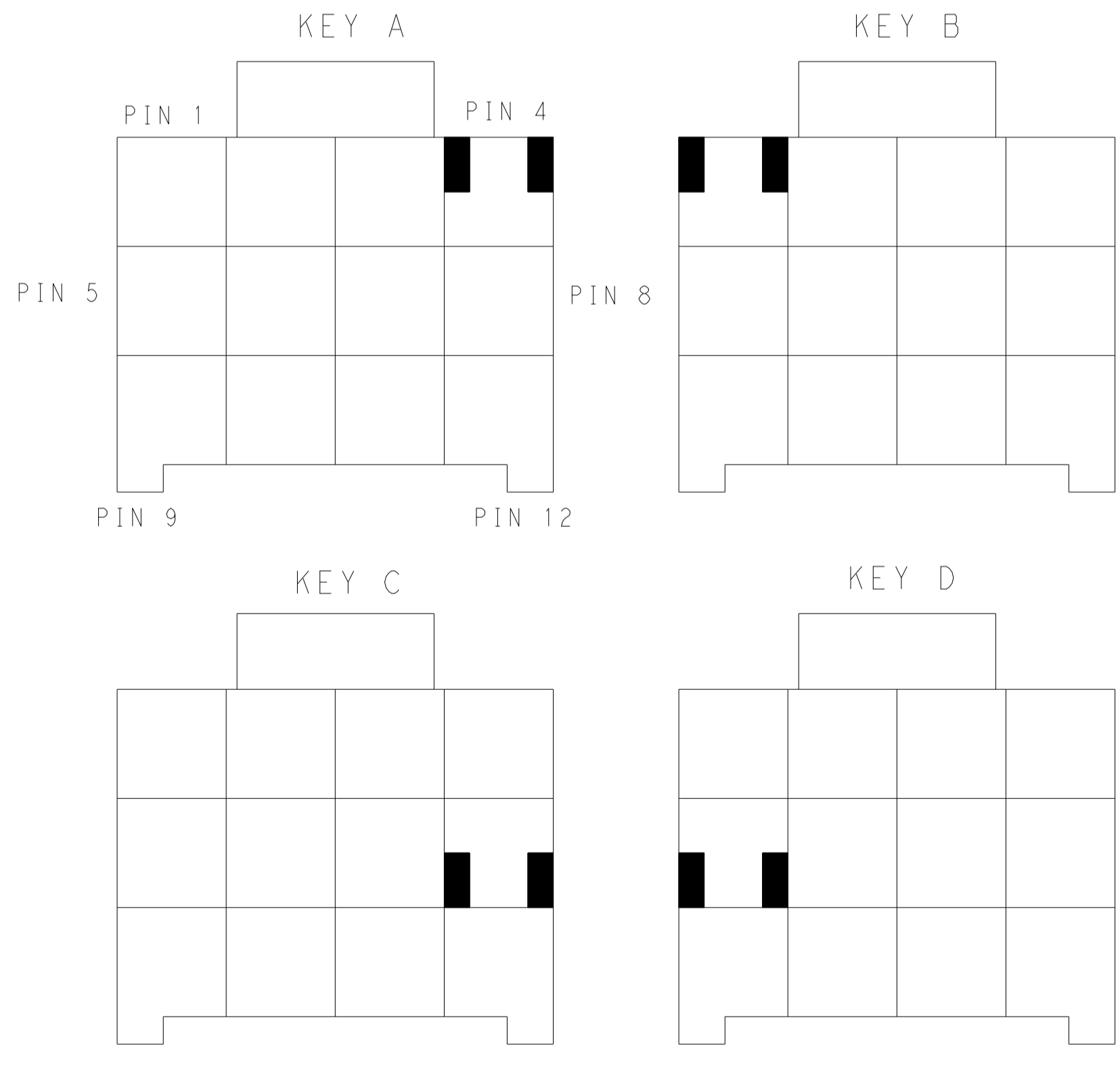
3\*3 POSITIONS

3\*4 POSITIONS

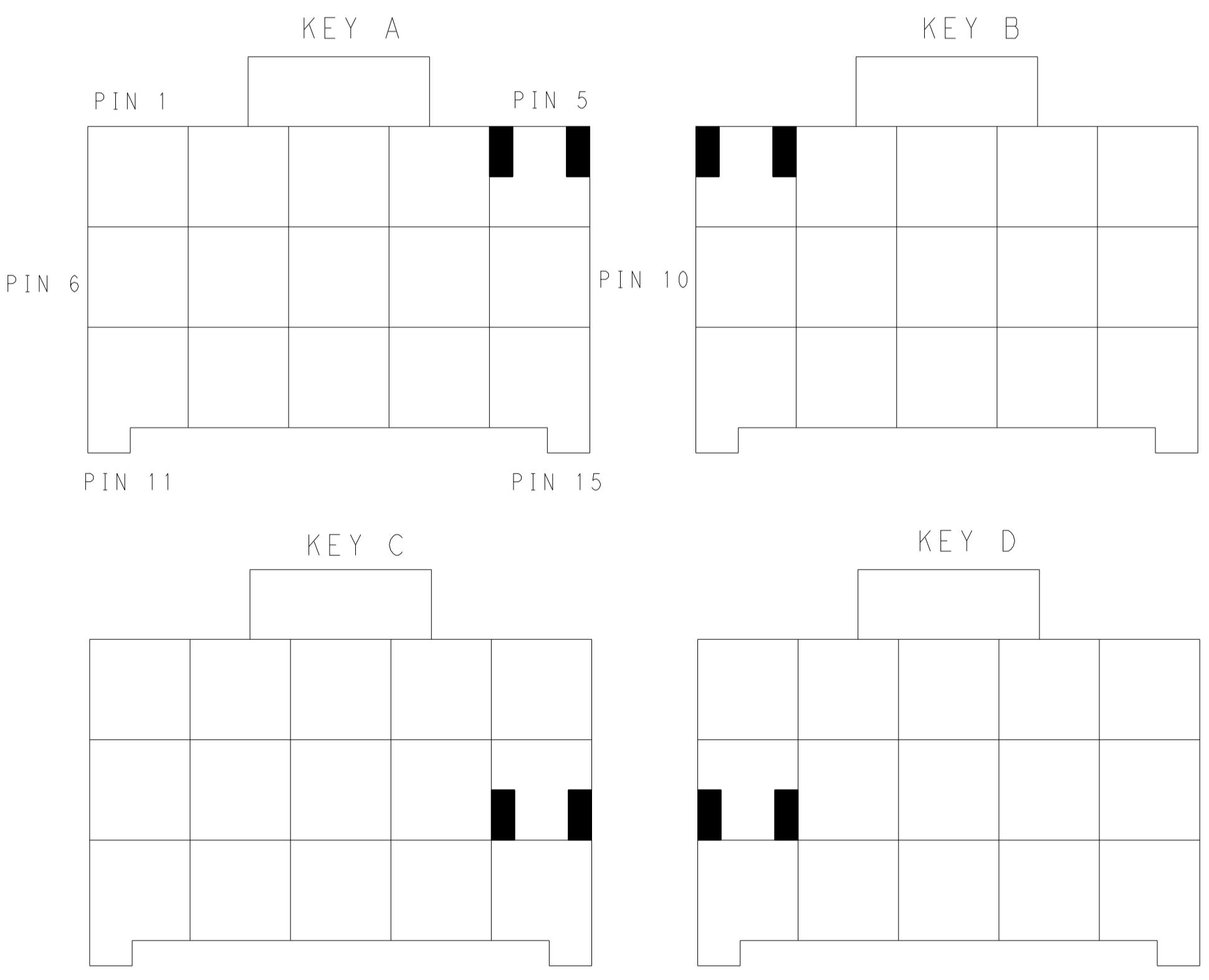
3\*5 POSITIONS



KEYING FOR 3\*3 POS.



KEYING FOR 3\*4 POS.



KEYING FOR 3\*5 POS.

POS.	MATERIAL	KEY	P/N
3*5	LEVEL 1	KEY A	1-1971875-7
		KEY B	2-1971875-7
		KEY C	3-1971875-7
		KEY D	4-1971875-7
3*5	LEVEL 2 △6	KEY A	5-1971875-7
		KEY B	6-1971875-7
		KEY C	7-1971875-7
		KEY D	8-1971875-7
3*4	LEVEL 1	KEY A	1-1971875-4
		KEY B	2-1971875-4
		KEY C	3-1971875-4
		KEY D	4-1971875-4
3*4	LEVEL 2 △6	KEY A	5-1971875-4
		KEY B	6-1971875-4
		KEY C	7-1971875-4
		KEY D	8-1971875-4
3*3	LEVEL 1	KEY A	1-1971875-3
		KEY B	2-1971875-3
		KEY C	3-1971875-3
		KEY D	4-1971875-3
3*3	LEVEL 2 △6	KEY A	5-1971875-3
		KEY B	6-1971875-3
		KEY C	7-1971875-3
		KEY D	8-1971875-3

THIS DRAWING IS A CONTROLLED DOCUMENT.

OWNER: TOMMY WU 06JUL2012  
 CHG: HAPYE WU 06JUL2012  
 APVD: YUHONG MAO 06JUL2012

TE Connectivity

NAME: CAP HOUSING, PANEL MOUNT, TRIPLE ROW POWER TRIPLE LOCK

SIZE: A1 00779 C=1971875

Customer Drawing

SCALE: - SHEET 2 OF 2 REV F

RESTRICTED TO

APPLICABLE DIMENSIONS: DIMENSIONS: mm TOLERANCES UNLESS OTHERWISE SPECIFIED: 0 PLC ±0.35, 1 PLC ±0.25, 2 PLC ±0.25, 3 PLC ±0.25, 4 PLC ±0.25, ANGLES ±0.25, FINISH

## X-ON Electronics

Largest Supplier of Electrical and Electronic Components

*Click to view similar products for [Heavy Duty Power Connectors](#) category:*

*Click to view products by [TE Connectivity](#) manufacturer:*

Other Similar products are found below :

[647757-1](#) [6643411-1](#) [6646058-2](#) [6646137-1](#) [6646138-1](#) [6646479-1](#) [6646608-1](#) [6646786-1](#) [6646940-1](#) [6651091-1](#) [6651525-1](#) [6651529-1](#)  
[6651788-1](#) [696475-1](#) [702-32-01109](#) [703-25-02205](#) [73000005059](#) [73000005642](#) [73080255059](#) [73080965046](#) [765-15-0080A](#) [765-16-0080B](#)  
[765-18-0080D](#) [829992-1](#) [902-77-02113](#) [PS00/A0620/6300](#) [PS25/A0420/63](#) [129-1J](#) [1409400](#) [AN0024023](#) [E6374G1](#) [e6389g2](#) [157-43GW8](#)  
[MS3117-14AC](#) [1643543-1](#) [1650540-1](#) [1651811-2](#) [1766260-1](#) [1766282-1](#) [1766966-1](#) [1791340000](#) [NLDFT-3-BL-L-S120-M40A](#) [NLDFT-N-](#)  
[W-L-C240-M40B](#) [NLS-2-R-C240-M40B](#) [NLS-N-W-C240-M40B](#) [NPS-3-BL-T6](#) [1986615-1](#) [2-1589900-8](#) [2199314-1](#) [KA8102](#)