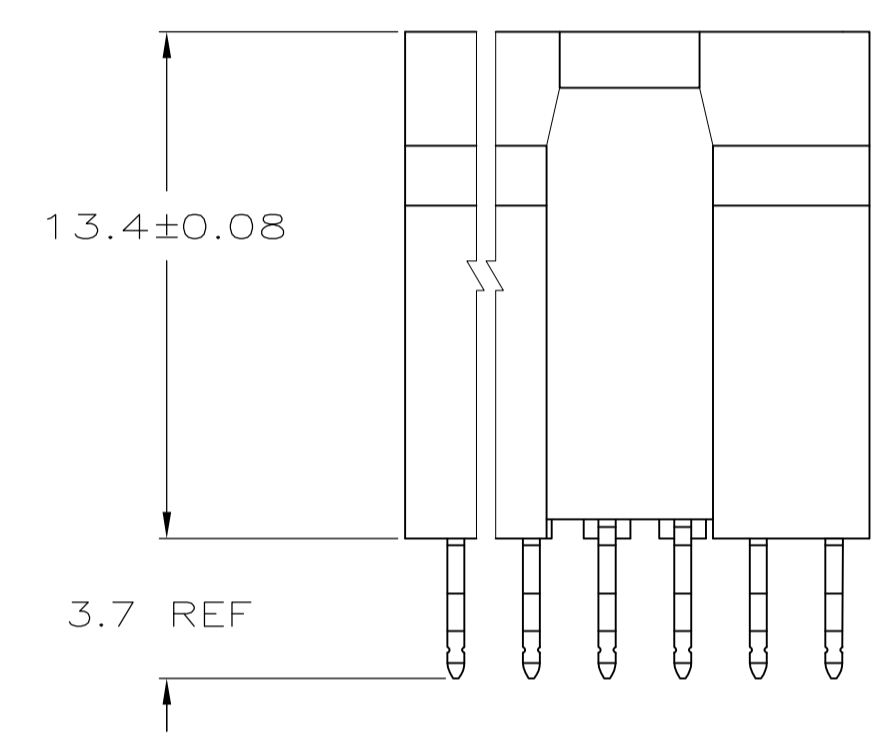
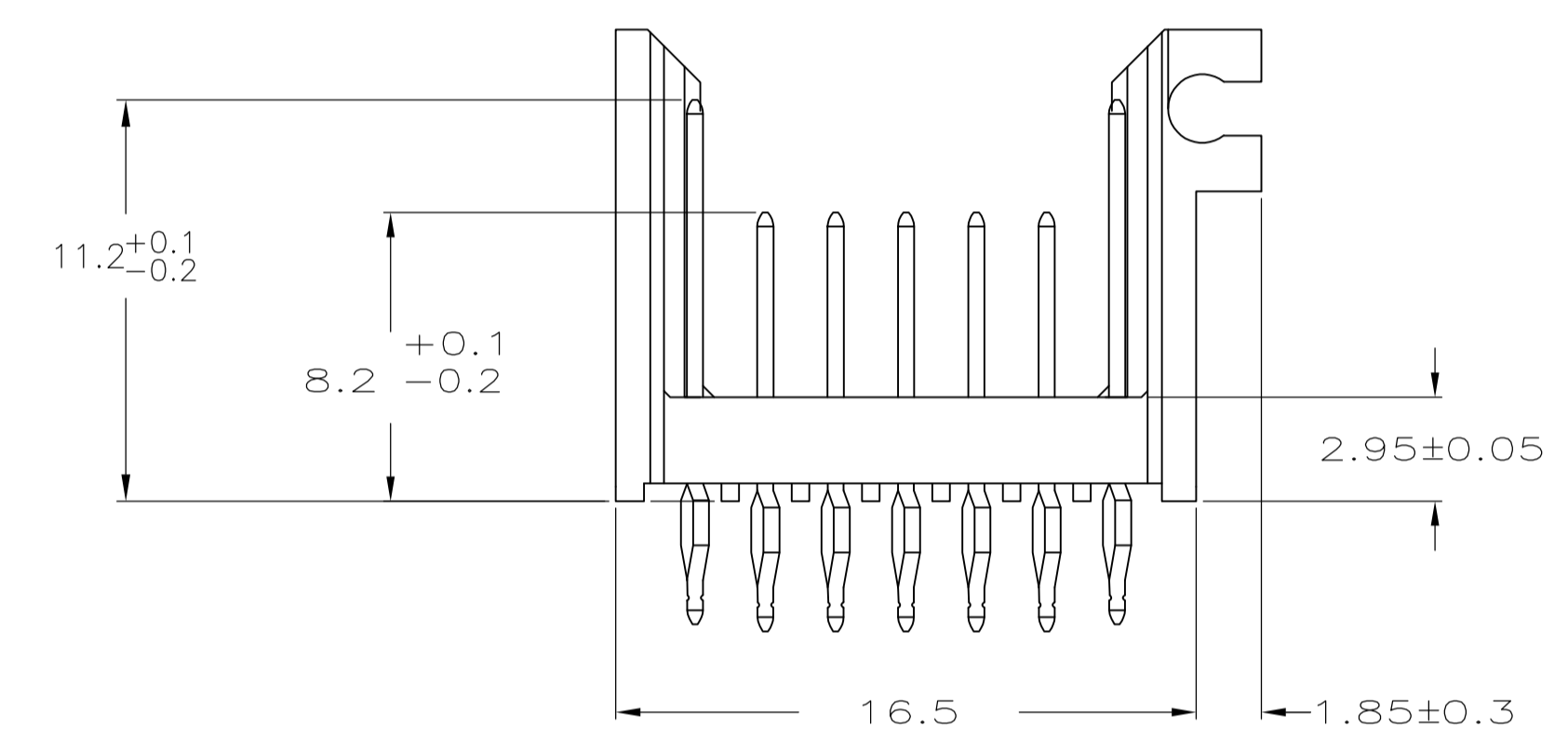
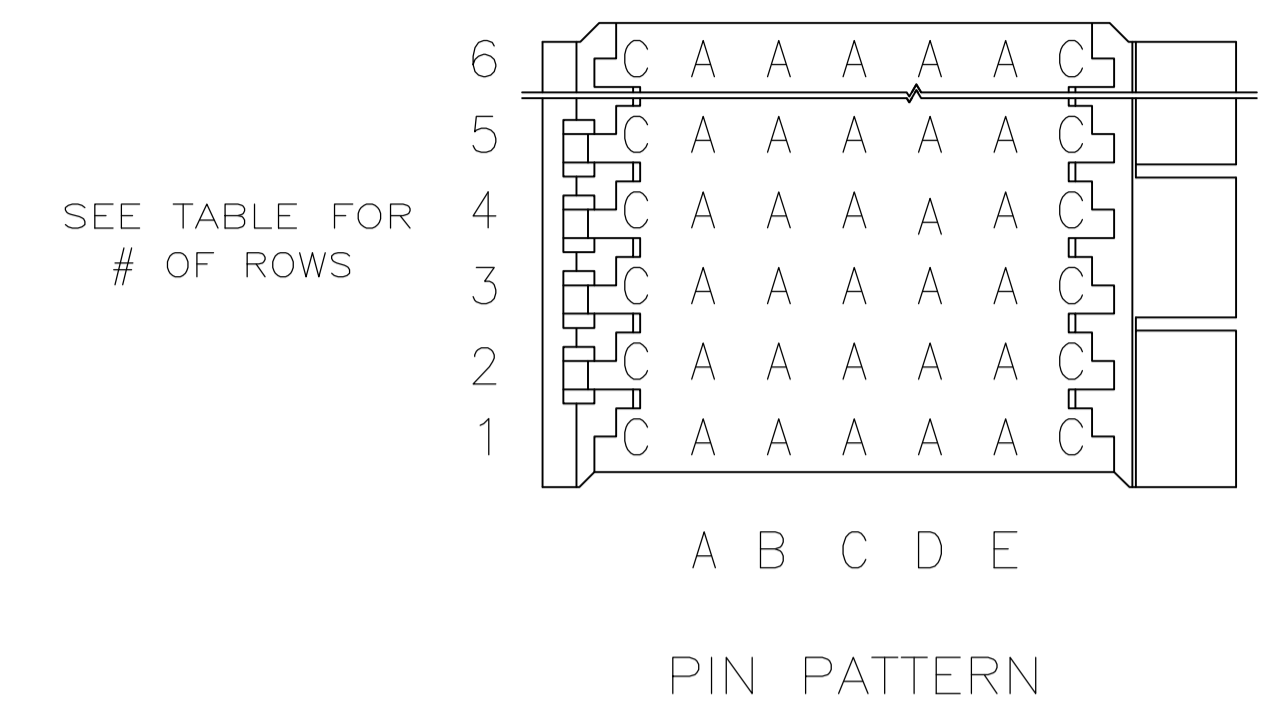
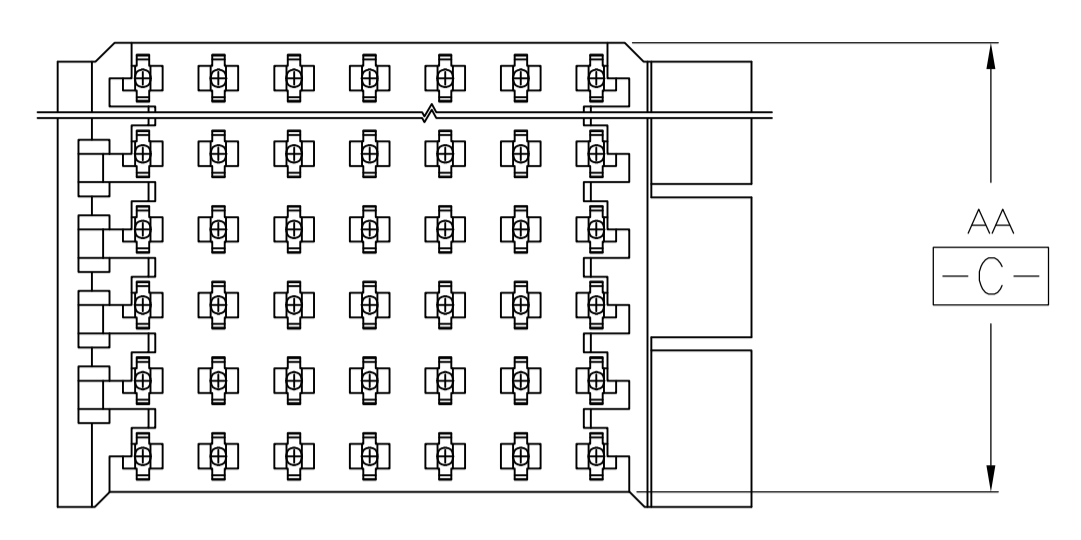
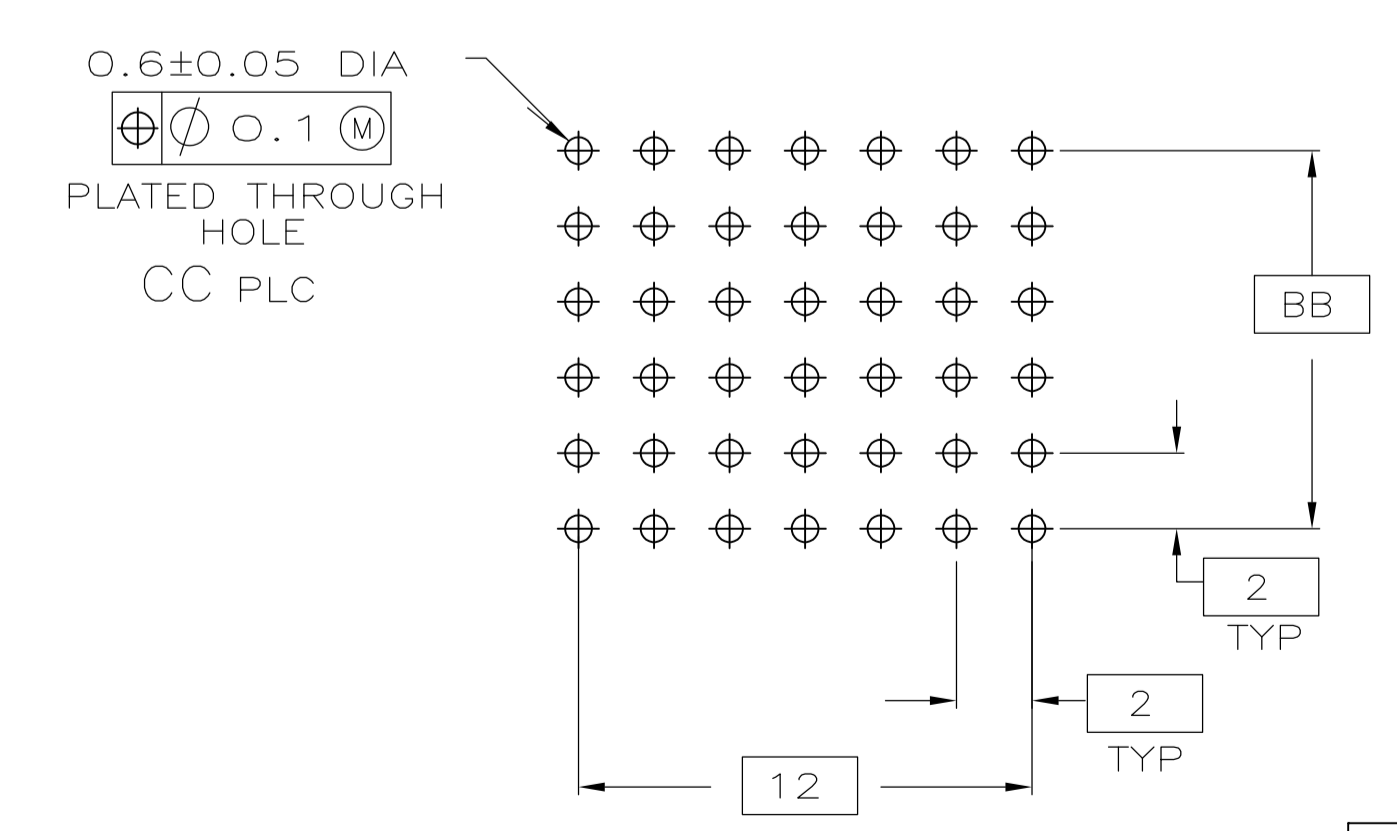
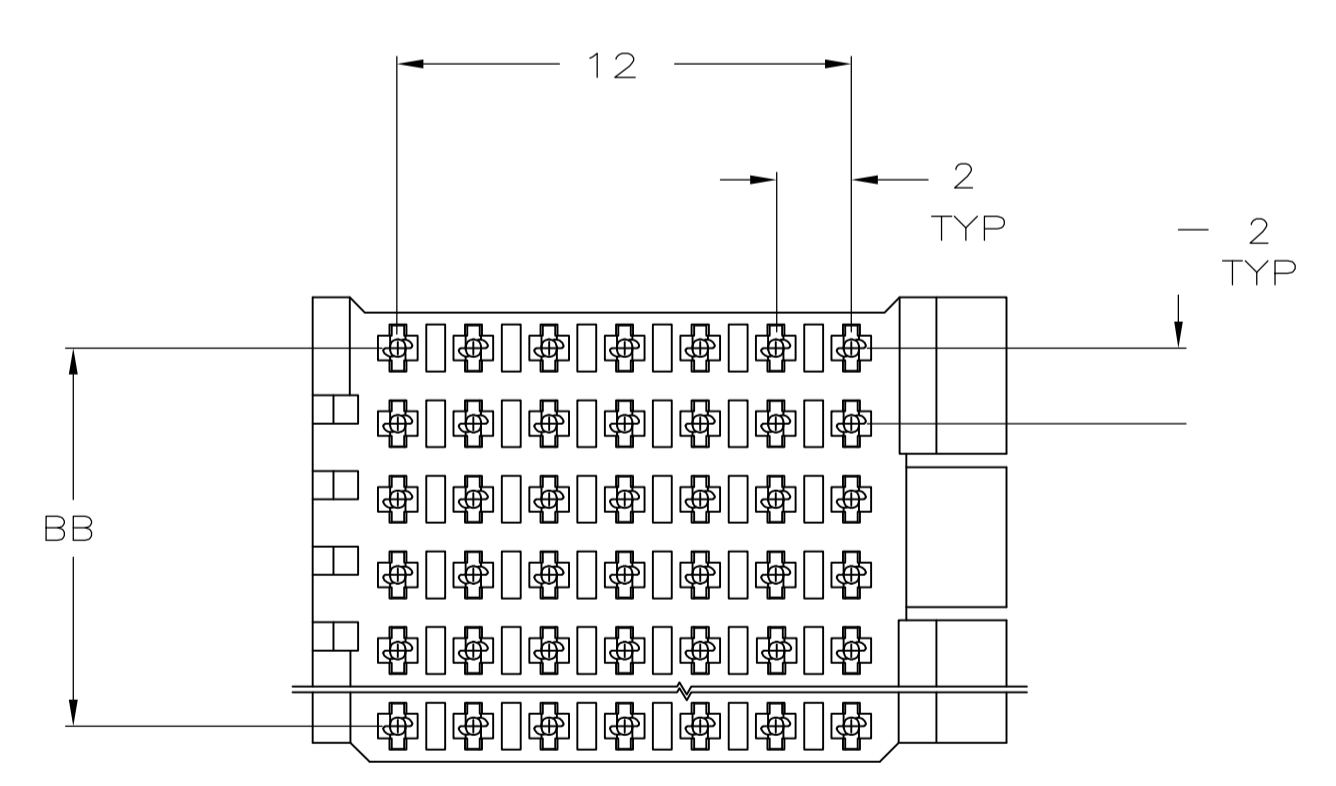


LOC		DIST		REVISIONS			
GP	00	REV	DESCRIPTION	DATE	BY	APPV	
		C1	REVISE PER ECO-09-001401	26JAN09	DH	DY	
		C2	REVISED PER ECO-09-024717	06NOV09	KK	AEG	



- 1 HOUSING MATERIAL: POLYESTER PBT, MOLDING COMPOUND, FLM RTD, 20% GLASS FILLED, COLOR: BLACK.
- 2 CONTACT MATERIAL: PHOSPHOR BRONZE PER UNS C51100, TEMPER H04
- 3 CONTACT FINISH: MATING SURFACE- 0.0008 MIN GOLD OVER 0.0013 MIN NICKEL. ON LEADS- 0.0005 MIN TIN-LEAD OVER 0.0013 MIN NICKEL.
- 4 OBSOLETE PARTS: OBSOLETE CIS STREAMLINING PER D.RENAUD/D.SINISI



RECOMMENDED PCB PATTERN

4	OBSOLETE	175	48	49.88	25	-2-319919-2-
	OBSOLETE	168	46	47.88	24	-2-319919-1-
	OBSOLETE	161	44	45.88	23	-2-319919-0-
4	OBSOLETE	154	42	43.88	22	-1-319919-9-
	OBSOLETE	147	40	41.88	21	-1-319919-8-
	OBSOLETE	140	38	39.88	20	-1-319919-7-
4	OBSOLETE	133	36	37.88	19	-1-319919-6-
	OBSOLETE	126	34	35.88	18	-1-319919-5-
	OBSOLETE	119	32	33.88	17	-1-319919-4-
	OBSOLETE	112	30	31.88	16	-1-319919-3-
	OBSOLETE	105	28	29.88	15	-1-319919-2-
	OBSOLETE	98	26	27.88	14	-1-319919-1-
	OBSOLETE	91	24	25.88	13	-1-319919-0-
	OBSOLETE	84	22	23.88	12	-319919-9-
4	OBSOLETE	77	20	21.88	11	-319919-8-
	OBSOLETE	70	18	19.88	10	-319919-7-
	OBSOLETE	63	16	17.88	9	-319919-6-
	OBSOLETE	56	14	15.88	8	319919-5
4	OBSOLETE	49	12	13.88	7	-319919-4-
	OBSOLETE	42	10	11.88	6	319919-3
	OBSOLETE	35	8	9.88	5	319919-2
	OBSOLETE	28	6	7.88	4	319919-1
		CC	BB	AA	ROWS	PART NO

THIS DRAWING IS A CONTROLLED DOCUMENT.

DIMENSIONS: mm	TOLERANCES UNLESS OTHERWISE SPECIFIED:	DIN T. SMITH 22OCT97	Tyco Electronics Corporation Harrisburg, PA 17105-3608
		CHK: C. ADAMS 22OCT97	
		APVD: T. SMITH 22OCT97	NAME: T. SMITH
			PRODUCT SPEC: HEADER, 2mm HM, w/GROUND PINS
MATERIAL: -	FINISH: -	WEIGHT: -	SIZE: A1
			CAGE CODE: 00779
			DRAWING NO: 319919
			RESTRICTED TO: -
			CUSTOMER DRAWING
			SCALE: 5:1
			SHEET 1 OF 1
			REV: C2

## X-ON Electronics

Largest Supplier of Electrical and Electronic Components

*Click to view similar products for [Hard Metric Connectors](#) category:*

*Click to view products by [TE Connectivity](#) manufacturer:*

Other Similar products are found below :

[6345127-1](#) [646916-9](#) [6469658-1](#) [973108](#) [1-2000713-0](#) [1-2000713-2](#) [1-2000713-3](#) [1645343-1](#) [1645456-1](#) [1645594-1](#) [1645595-1](#) [1645601-1](#)  
[1934822-1](#) [278071110010833](#) [1645179-1](#) [1645245-1](#) [1645457-1](#) [1645525-1](#) [1645570-1](#) [1645596-1](#) [17041102202](#) [1857470-1](#) [1934275-1](#)  
[1934289-1](#) [1934759-1](#) [2000673-1](#) [2170292-2](#) [2-536642-6](#) [3-106015-1](#) [352188-1](#) [352629-1](#) [5120823-1](#) [5120899-1](#) [3-100145-0](#) [3-100147-0](#)  
[3-100669-1](#) [3-106081-0](#) [HM2DK2368PLF](#) [5646530-1](#) [3-352049-0](#) [3-352069-0](#) [3-352115-0](#) [3-352638-0](#) [352189-1](#) [3-646357-0](#) [3-646487-0](#)  
[3-646513-0](#) [106726-1](#) [114352](#) [114619](#)