

4

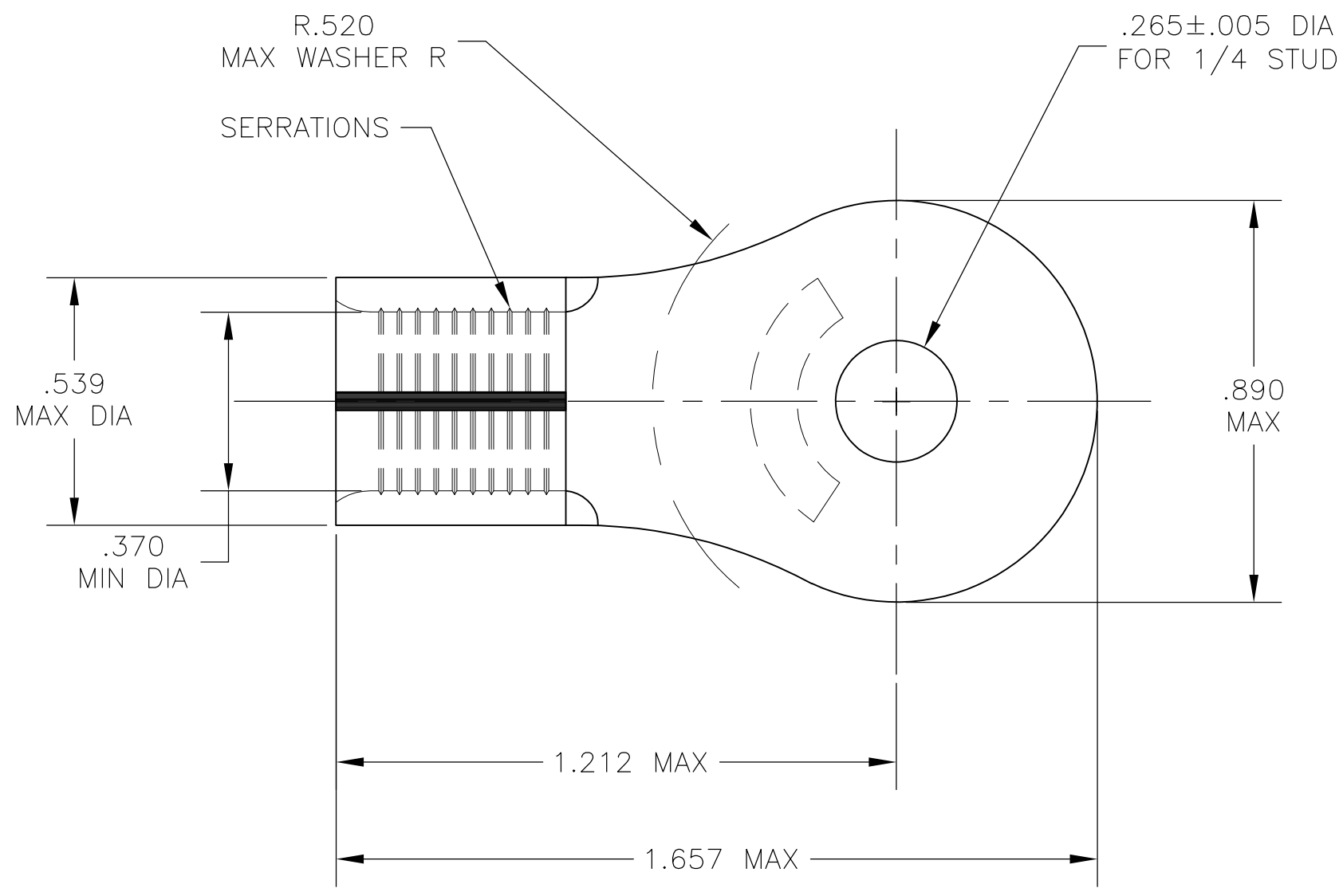
3

2

1

THIS DRAWING IS UNPUBLISHED. RELEASED FOR PUBLICATION
 © COPYRIGHT - By - ALL RIGHTS RESERVED.

| LOC | DIST | REVISIONS | | | | | |
|-----|------|-----------|-----|---------------------------|-----------|-----|------|
| | | P | LTR | DESCRIPTION | DATE | DWN | APVD |
| G | 14 | | F1 | REVISED PER ECO-15-006978 | 08JUN2015 | NK | MM |



- 1 TONGUE MATERIAL THK IS .070±.003.
- △2 COPPER PER ASTM B152.
- △3 TIN PLATE PER ASTM B545, ANNEALED.

| | | |
|----------------------------|---------------|--|
| 1 | WIRE TERMINAL | 320138 |
| QTY | DESCRIPTION | PART NO |
| STE TE Connectivity | | |
| NAME | | WIRE TERMINAL SOLISTRAND - RING TONGUE WIRE SIZE: #2 |
| SIZE | CAGE CODE | DRAWING NO |
| A3 | 00779 | C-320138 |
| RESTRICTED TO | | — |
| SCALE | | 3:1 |
| SHEET | | 1 OF 1 |
| REV | | F1 |

| | | | | |
|--|--------|-------------------------------|-----------|---------|
| THIS DRAWING IS A CONTROLLED DOCUMENT. | | DWN | jr_ruth | 25MAY04 |
| DIMENSIONS: INCHES | | CHK | MJ SPICER | 25MAY04 |
| TOLERANCES UNLESS OTHERWISE SPECIFIED: | | APVD | MJ SPICER | 25MAY04 |
| 0 PLC | ± - | PRODUCT SPEC | | |
| 1 PLC | ± - | — | | |
| 2 PLC | ± - | APPLICATION SPEC | | |
| 3 PLC | ± .008 | — | | |
| 4 PLC | ± - | WEIGHT | | |
| ANGLES | ± 5° | — | | |
| MATERIAL | △2 | CUSTOMER DRAWING | | |
| FINISH | △3 | SCALE 3:1 SHEET 1 OF 1 REV F1 | | |

X-ON Electronics

Largest Supplier of Electrical and Electronic Components

Click to view similar products for [Terminals](#) category:

Click to view products by [TE Connectivity](#) manufacturer:

Other Similar products are found below :

[00-054007-01074-6](#) [00-054007-70206-1](#) [00-054007-70210-8](#) [00-054007-70217-7](#) [00-054007-70226-9](#) [00-054007-70228-3](#) [00-054007-70248-1](#) [00-054007-70256-6](#) [00-054007-70301-3](#) [00-054007-70316-7](#) [00-054007-49560-4](#) [00-054007-70209-2](#) [00-054007-70225-2](#) [00-054007-70227-6](#) [00-054007-70231-3](#) [00-054007-70241-2](#) [00-054007-70242-9](#) [00-054007-70244-3](#) [00-054007-70246-7](#) [00-054007-70263-4](#) [00-054007-70288-7](#) [00-054007-70290-0](#) [00-054007-70300-6](#) [00-054007-70304-4](#) [01-2065-1-0216](#) [01-2900-1-04412](#) [00581P0075](#) [600TS-10](#) [60205-1](#) [604200-1](#) [605601-1](#) [60598-1-CUT-TAPE](#) [61314-6-C](#) [61810-3](#) [61-S](#) [61-SN](#) [626-0194](#) [62-NBM-A](#) [62-SN](#) [62-SP](#) [63-S](#) [640179-1](#) [M55155/059I03](#) [M55155/079C01](#) [M55155/099H02](#) [M55155/109H01](#) [M55155/109H02](#) [M55155/12XH05](#) [M55155/16XH02](#) [M55155/29-5S](#)