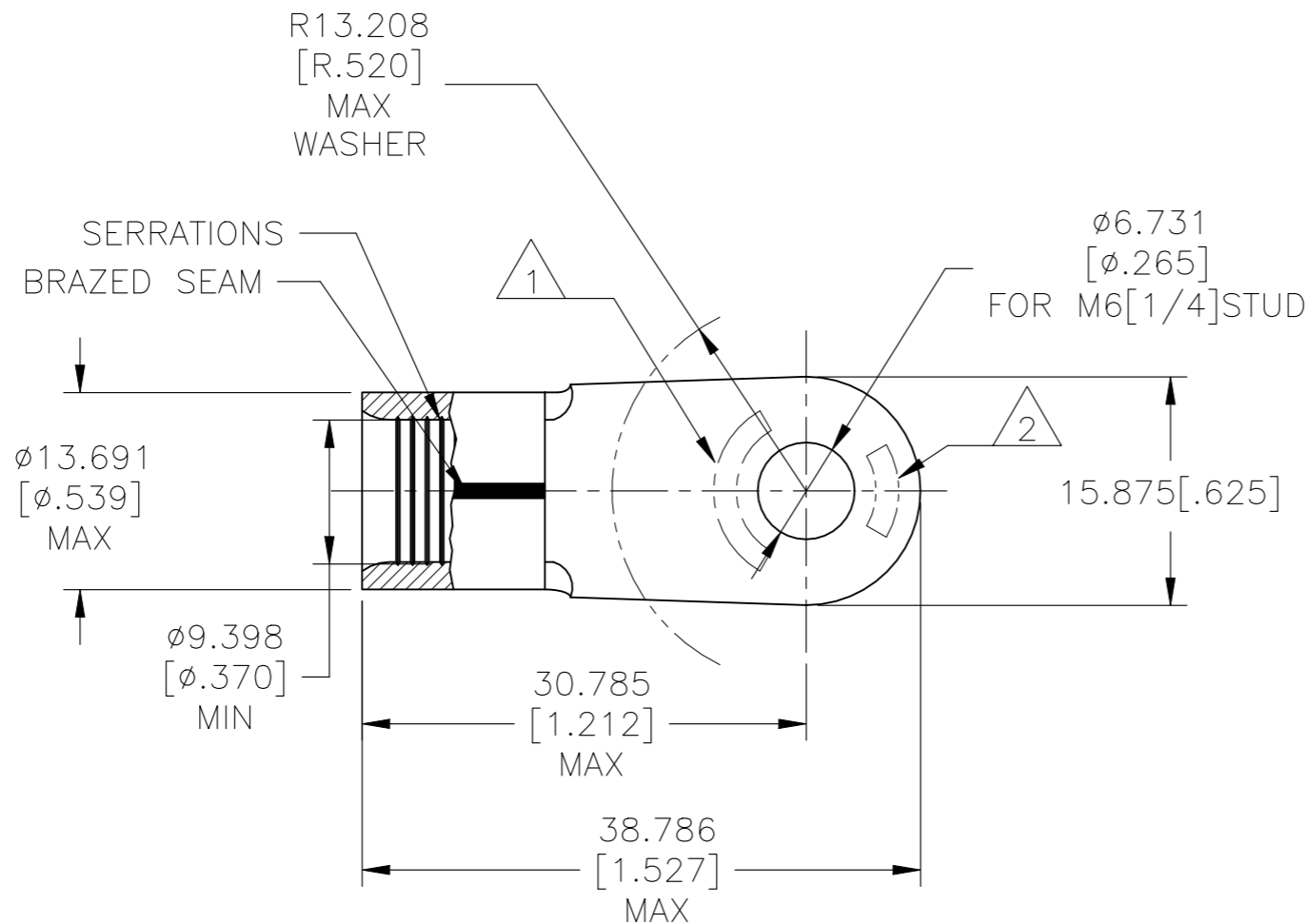


P	LTR	DESCRIPTION	DATE	DWN	APVD
	K1	ECN-22-150900	27APR2022	RK	SCD



<b>AMP</b> WIRE RANGE	E13288 Listed
2 AWG SOLID OR STRANDED	2 AWG STRANDED

LR7189 Certified
2 AWG SOLID OR STRANDED

- STAMP AMP 2W\* APPROX AS SHOWN.
- STAMP 60-75 APPROX AS SHOWN.
- 3 MATERIAL THK: 1.778±0.076[.070±.003].
- TIN PLATE 0.00254[.000100] MIN EXT THK PER ASTM B545.
- GOLD PLATE 0.00127[.000050] MIN. EXT. THK. PER MIL-G-45204 OVER NICKEL PLATE 0.00076 [0.000030] MIN. EXT. THK. PER SAE AMS QQ-N-290. OVER CU FLASH PER SAE AMS2418

NICKEL PLATE 0.00762[.000300] MIN. EXT. THK. PER SAE AMS QQ-N-290.

PRODUCT SPECIFICATION UL 486A-B

PRODUCT SPECIFICATION 108-32046, APPLICATION SPECIFICATION 114-2162

6 NOTE DELETED

	25		170°C[338°F] MAX		8-320383-3
	50		343°C[649°F] MAX		2-320383-2
	50	LOOSE PIECE	260°C[500°F] MAX		2-320383-1
	50		170°C[338°F] MAX		320383-1
	50		170°C[338°F] MAX		320383
	QTY.	PACKAGE TYPE	MAX RECOMMENDED TEMPERATURE	FINISH	PART NO

**AMP INCORPORATED  
CUSTOMER SERVICE SYSTEMS**

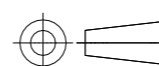
MAX RECOMMENDED OPERATING TEMPERATURE:  
SEE TABLE

VOLTAGE RATING:  
NOT APPLICABLE

WIRE CROSS SECTIONAL AREA RANGE:  
26.7-42.4mm<sup>2</sup>[52,600-83,700] CIR MILS  
SOLID OR STRANDED

THIS DRAWING IS A CONTROLLED DOCUMENT.

DIMENSIONS:  
mm [INCHES]



TOLERANCES UNLESS OTHERWISE SPECIFIED:

0 PLC	± -
1 PLC	± -
2 PLC	± -
3 PLC	± 0.127[.005]
4 PLC	± -
ANGLES	± -

MATERIAL  
COPPER PER ASTM B152 ANNEALED

FINISH  
SEE TABLE

DWN	DK SCHRUM	5/24/93
CHK	RD HEIM	1/27/94
APVD	RE ROSER	1/27/94
PRODUCT SPEC		
APPLICATION SPEC		
WEIGHT	-	

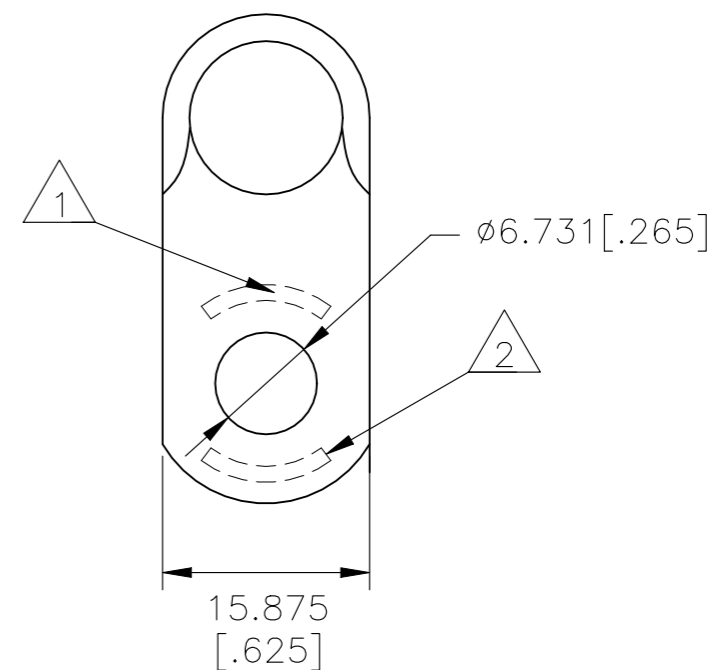
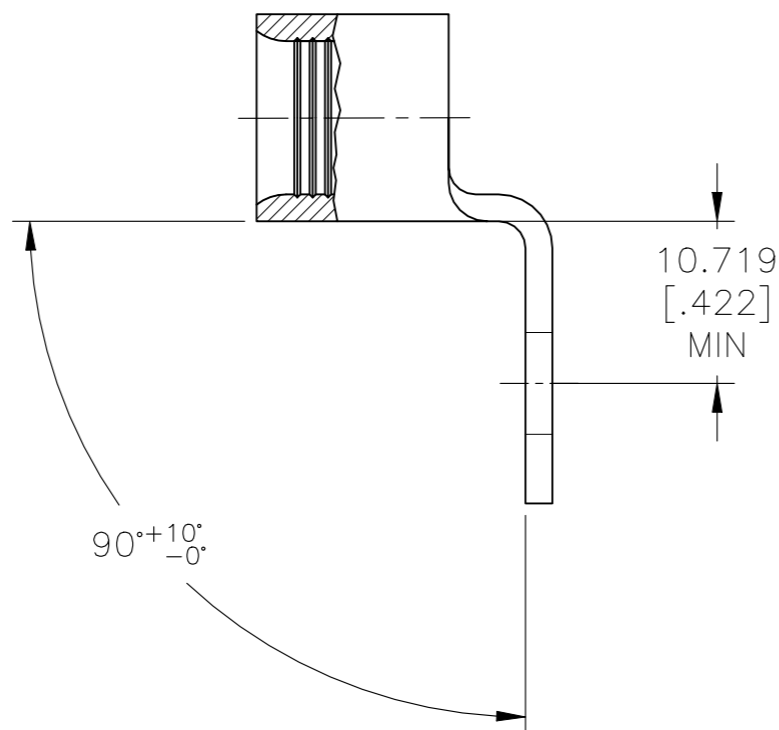


NAME  
TERMINAL, RING TONGUE, SOLISTRAND AND STRATO-THERM HR, WIRE SIZE: 2 AWG


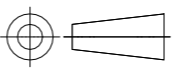
SIZE	CAGE CODE	DRAWING NO	RESTRICTED TO
A3	-	C-320383	-

FOR ADDITIONAL PRODUCT INFORMATION OR COPIES OF DRAWINGS AND TECHNICAL DOCUMENTS	PRODUCT INFORMATION CENTER 1-800-522-6752
FOR APPLICATION TOOLING INFORMATION	TOOLING ASSISTANCE CENTER 1-800-722-1111
FOR ORDER ENTRY	1-800-526-5142

REVISIONS					
P	LTR	DESCRIPTION	DATE	DWN	APVD
-	-	SEE SHEET 1	-	-	-



320383-1  
ONLY

THIS DRAWING IS A CONTROLLED DOCUMENT.		DWN DK SCHRUM 5/24/93	 TE Connectivity Ltd.				
DIMENSIONS: mm [INCHES]		CHK RD HEIM 1/27/94					
TOLERANCES UNLESS OTHERWISE SPECIFIED:		APVD RE ROSER 1/27/94	NAME TERMINAL, RING TONGUE, SOLISTRAND AND STRATO-THERM HR, WIRE SIZE: 2 AWG				
 0 PLC ± - 1 PLC ± - 2 PLC ± - 3 PLC ± 0.127[.005] 4 PLC ± - ANGLES ± -		PRODUCT SPEC -	APPLICATION SPEC -				
MATERIAL COPPER PER ASTM B-152		FINISH SEE TABLE	WEIGHT -	SIZE A3	CAGE CODE -	DRAWING NO C-320383	RESTRICTED TO -
CUSTOMER DRAWING			SCALE 2:1	SHEET 2 OF 2	REV K1		

## X-ON Electronics

Largest Supplier of Electrical and Electronic Components

*Click to view similar products for [Terminals category](#):*

*Click to view products by [TE Connectivity manufacturer](#):*

Other Similar products are found below :

[00-054007-01074-6](#) [00-054007-70206-1](#) [00-054007-70210-8](#) [00-054007-70217-7](#) [00-054007-70228-3](#) [00-054007-70256-6](#) [00-054007-70316-7](#) [00-054007-49560-4](#) [00-054007-70209-2](#) [00-054007-70231-3](#) [00-054007-70241-2](#) [00-054007-70242-9](#) [00-054007-70246-7](#) [00-054007-70263-4](#) [00-054007-70288-7](#) [00-054007-70290-0](#) [00-054007-70300-6](#) [00-054007-70304-4](#) [01-2900-1-04412](#) [00581P0075](#) [600TS-10](#) [605601-1](#) [60598-1-CUT-TAPE](#) [60617-1-C](#) [61314-6-C](#) [61810-3](#) [62149-1](#) [626-0194](#) [63-S](#) [M55155/059I03](#) [M55155/079C01](#) [M55155/099B03](#) [M55155/099H02](#) [M55155/109H01](#) [M55155/12XH05](#) [M55155/29-5S](#) [M55155/29XJ08](#) [M55155/30-6S](#) [M55155/30-9S](#) [M55155/30XI09](#) [M6-14RSX](#) [696683-1](#) [696861-1](#) [696999-1](#) [M86700006](#) [D18-110B-C](#) [D18-110B-M](#) [701-1936](#) [701-1955](#) [701-2003](#)