

THIS DRAWING IS UNPUBLISHED.

RELEASED FOR PUBLICATION

20

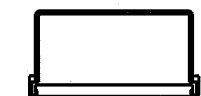
© COPYRIGHT 20

BY TYCO ELECTRONICS CORPORATION. ALL RIGHTS RESERVED.

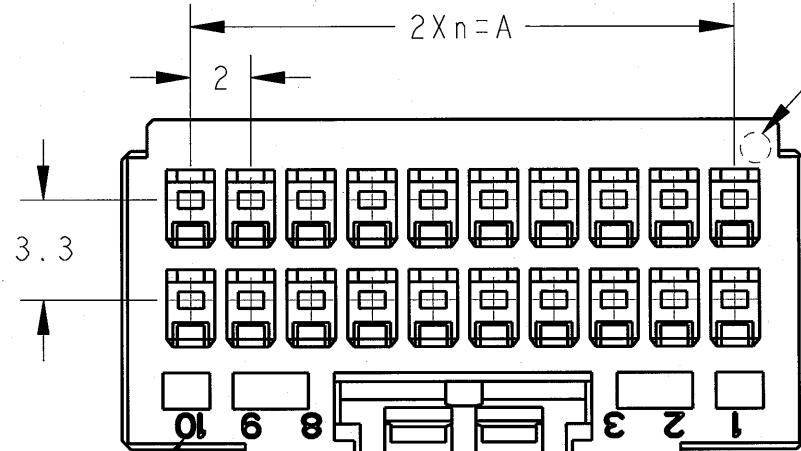
LOC	DIST
J	-

REVISIONS  
変更

P	LTR	DESCRIPTION	DATE	DWN	APVD
	B	REVISED	18JUN2009	R.K	N.Y
	C	REVISED	06JAN2010	R.K	N.Y



SCALE 1:1



CAVITY MARK  
(ALPHABET:CAPITAL LETTER)

1. 材料: ガラス入り熱可塑性ポリエステル樹脂(94V-0), 色: 黒以外

2. 文字の形状、大きさ、および位置については、大略を示すものであり、  
詳細を示すものではありません。

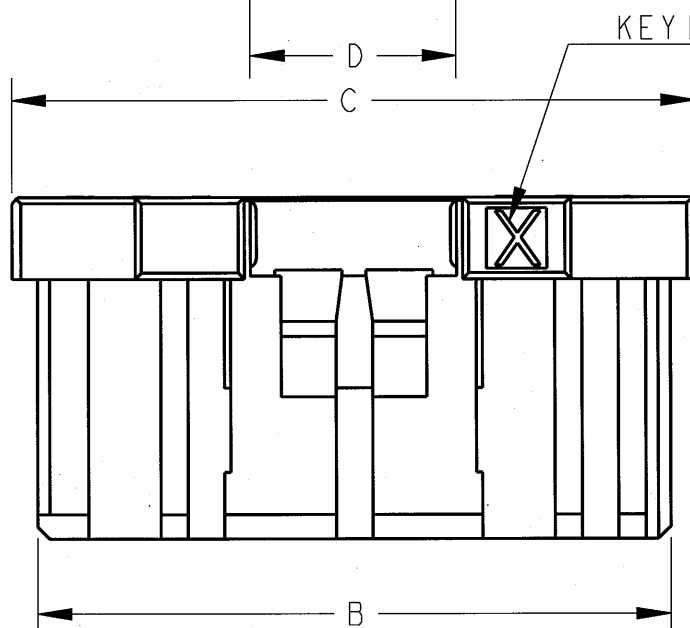
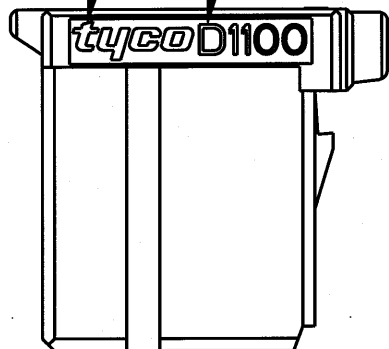
1. MATERIAL: GLASS FILLED THERMO PLASTIC POLYESTER(94V-0)  
COLOR: EXCLUDING BLACK

2. THE SHAPE, SIZE AND POSITION OF THE CHARACTER  
SHOW THE OUTLINE.  
THEY DON'T SHOW DETAILS.

CIRCUIIT NO

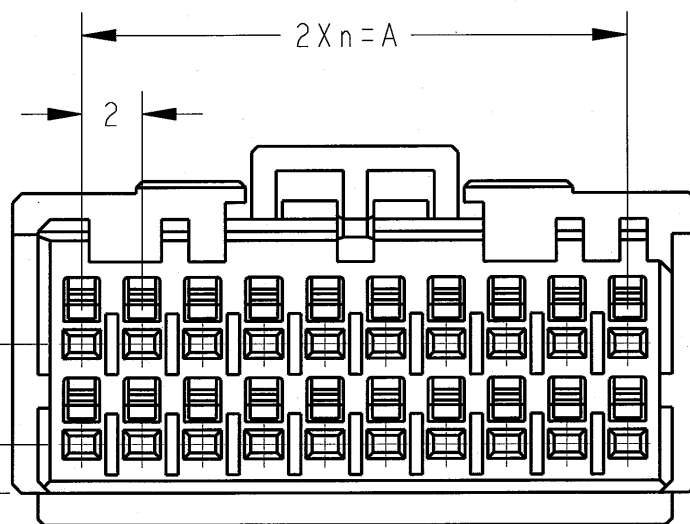
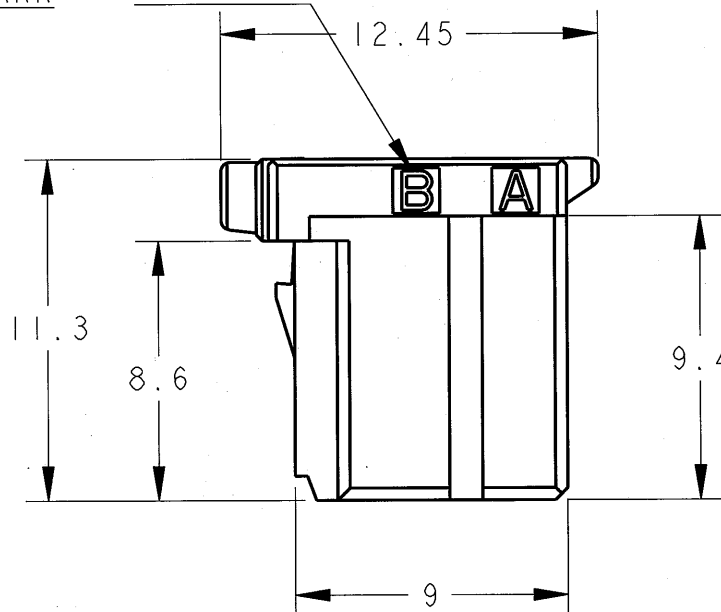
LOGO MARK

SERIES CODE



KEYING MARK

ROW ID



20POS(X-KEY) : \*-2040555-0

18	X	8	16.0	18.9	20.6	8.1	YELLOW	3-2040555-9
18	X	8	16.0	18.9	20.6	8.1	NATURAL	1-2040555-9
20	X	9	18.0	20.9	22.6	6.8	RED	5-2040555-0
20	X	9	18.0	20.9	22.6	6.8	YELLOW	3-2040555-0
20	X	9	18.0	20.9	22.6	6.8	NATURAL	1-2040555-0
POS	KEY	n	A	B	C	D	COLOR	PART NO

THIS DRAWING IS A CONTROLLED DOCUMENT FOR TYCO ELECTRONICS CORPORATION  
IT IS SUBJECT TO CHANGE AND THE CONTROLLING ENGINEERING ORGANIZATION  
SHOULD BE CONTACTED FOR THE LATEST REVISION.

DIMENSIONS:  
単位: 耗  
mm

TOLERANCES UNLESS  
OTHERWISE SPECIFIED:

一般公差	±0.3, ±5°
0-PLC	±
1-PLC	±0.1
2-PLC	±0.02
3-PLC	±0.005
4-PLC	±0.0005
ANGLES	±



MATERIAL  
材料

FINISH  
仕上



DWN 15JUL2008  
M. MAEBASHI

CHK 15JUL2008  
T. KUDO

APVD 15JUL2008  
S. MANABE

PRODUCT SPEC  
製品規格

108-78268, 78298

APPLICATION SPEC  
取付適用規格

114-5377

WEIGHT

CUSTOMER DRAWING



Tyco Electronics Corporation  
Kawasaki, Japan

NAME  
名称  
DYNAMIC D1100D 2.0mmPITCH  
REC HSG COLOR  
4-20POS

SIZE	CAGE CODE	DRAWING NO 番号	RESTRICTED TO
A3	00779	C-2040555	-

SCALE  
尺度 4:1 SHEET 1 OF 2 REV C

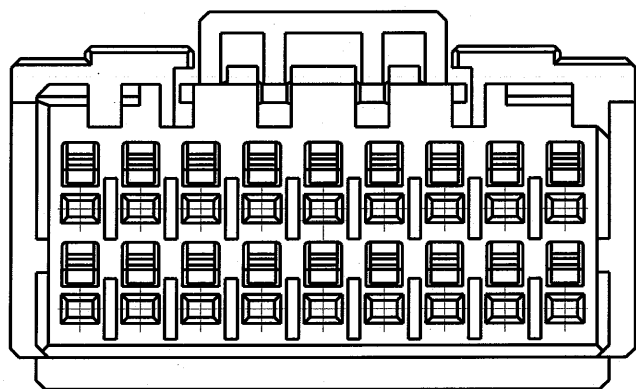
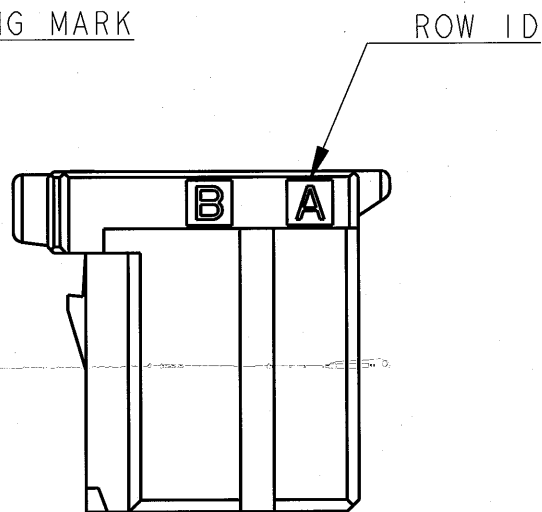
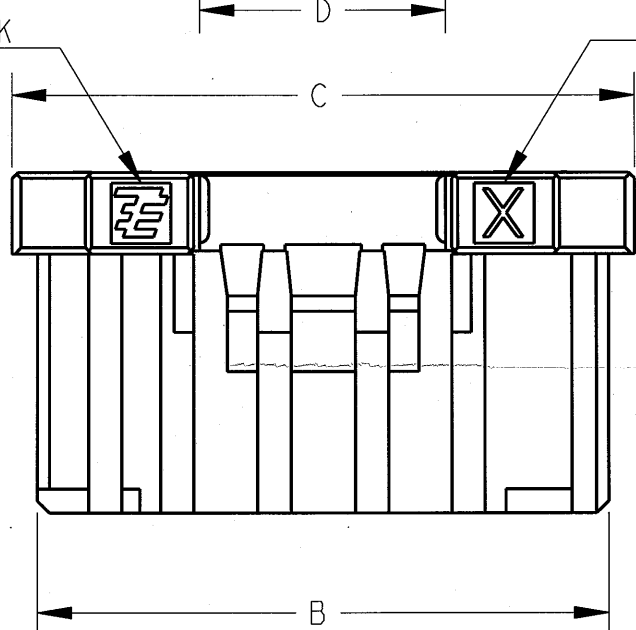
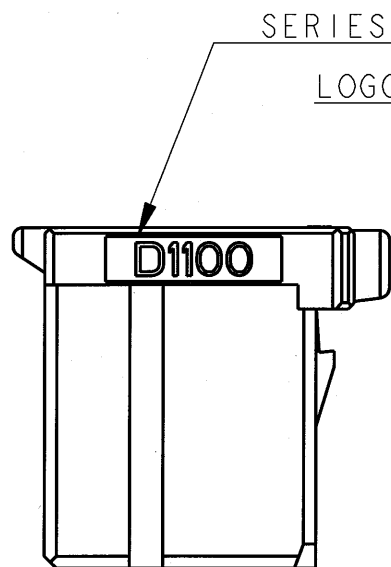
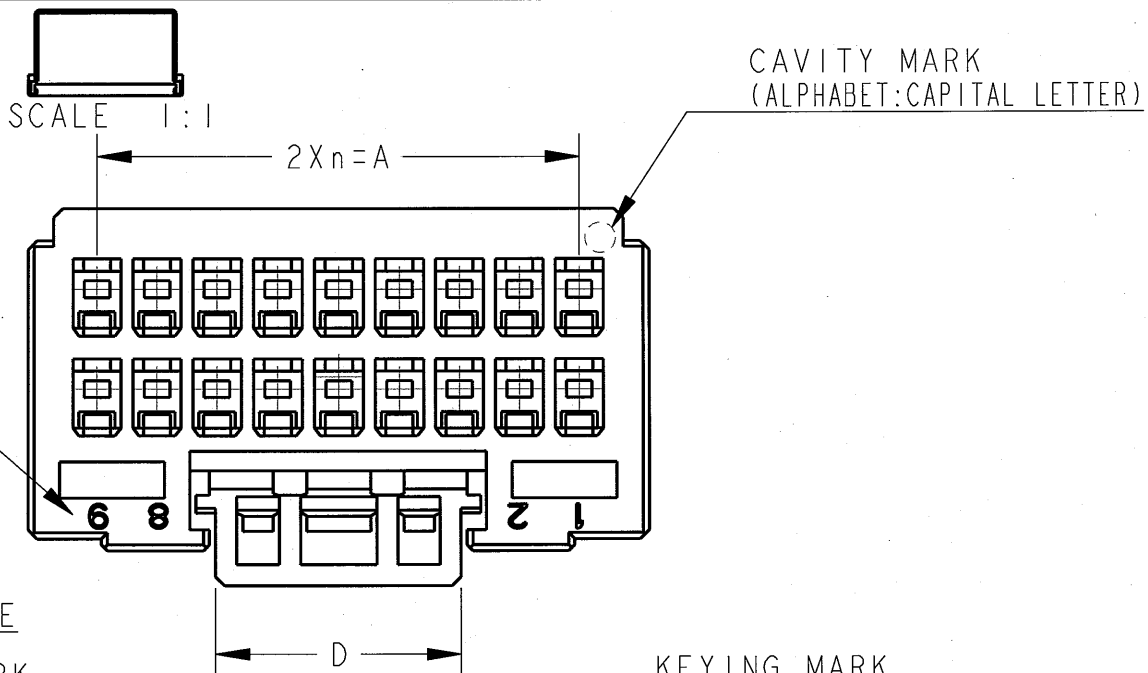
THIS DRAWING IS UNPUBLISHED.

RELEASED FOR PUBLICATION

20

© COPYRIGHT 20 BY TYCO ELECTRONICS CORPORATION. ALL RIGHTS RESERVED.

LOC	DIST	REVISIONS					
J	-	P	LTR	DESCRIPTION	DATE	DWN	APVD
				SEE SHEET 1 OF 2			



18POS(X-KEY) : \*-2040555-9

THIS DRAWING IS A CONTROLLED DOCUMENT FOR TYCO ELECTRONICS CORPORATION IT IS SUBJECT TO CHANGE AND THE CONTROLLING ENGINEERING ORGANIZATION SHOULD BE CONTACTED FOR THE LATEST REVISION.

DIMENSIONS:	TOLERANCES UNLESS OTHERWISE SPECIFIED:
mm	
	0 PLC ±
	1 PLC ±
	2 PLC ±
	3 PLC ±
	4 PLC ±
	ANGLES ±
MATERIAL	FINISH

SEE SHEET 1 OF 2

DWN	SEE SHEET 1
CHK	SEE SHEET 1
APVD	SEE SHEET 1
PRODUCT SPEC	-
APPLICATION SPEC	-
WEIGHT	-

Tyco Electronics Corporation Kawasaki, Japan	
NAME DYNAMIC D1100D 2.0mmPITCH REC HSG COLOR 4-20POS	
SIZE	RESTRICTED TO
A3	-
CAGE CODE	DRAWING NO
00779	C-2040555

CUSTOMER DRAWING	SCALE 4:1	SHEET 2 OF 2	REV C
------------------	-----------	--------------	-------

D

C

B

A

## X-ON Electronics

Largest Supplier of Electrical and Electronic Components

*Click to view similar products for [Headers & Wire Housings](#) category:*

*Click to view products by [TE Connectivity](#) manufacturer:*

Other Similar products are found below :

[892-18-020-10-001101](#) [58102-G61-06LF](#) [582553-1](#) [0009485154](#) [009176003701906](#) [0050291907](#) [LY20-4P-DT1-P1E-BR](#) [02.125.8002.8](#)  
[609-3404](#) [61062-3](#) [61082-181009](#) [622-3653LF](#) [63453-116](#) [636-1030](#) [636-1427](#) [636-3427](#) [636-4007](#) [641938-9](#) [641991-4](#) [644827-2](#) [65817-010LF](#) [65817-015LF](#) [65863-015LF](#) [66207-023LF](#) [67095-007LF](#) [67601157](#) [68645-018](#) [68648-049](#) [70.362.1628.0](#) [70-4210](#) [70-4226B](#) [70-4853B](#) [707-5020](#) [707-5028](#) [71.350.2428.0](#) [71918-208LF](#) [71961-016LF](#) [733-134](#) [733-162](#) [754199-000](#) [760-3052](#) [787-8014-00](#) [79531-3000](#)  
[FCN-360C032-B](#) [FCN-367T-T012/H](#) [FCN-723D010/2](#) [80.063.4001.1](#) [800-90-001-10-001000](#) [800-90-010-10-002000](#) [801-43-002-10-013000](#)