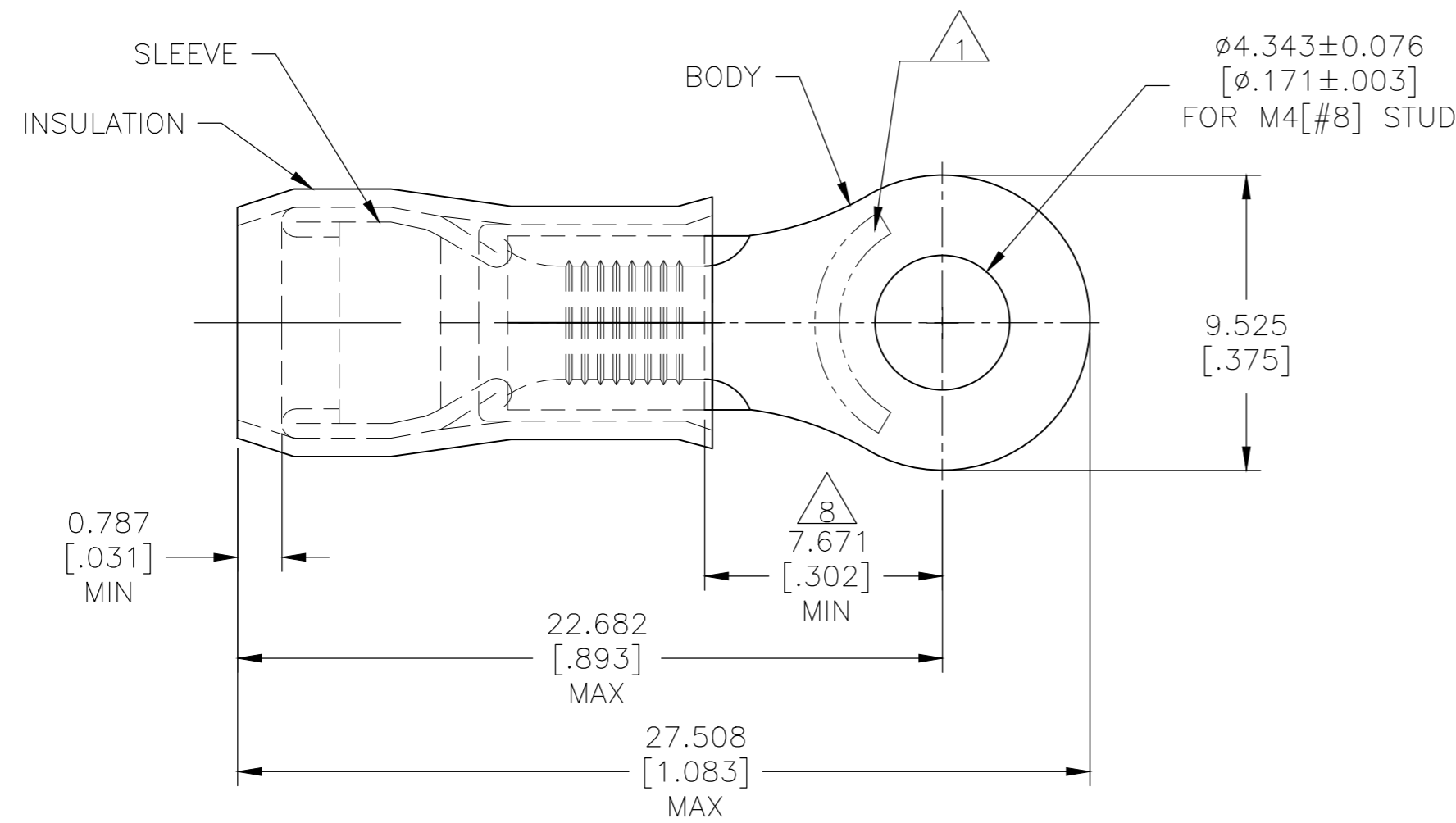
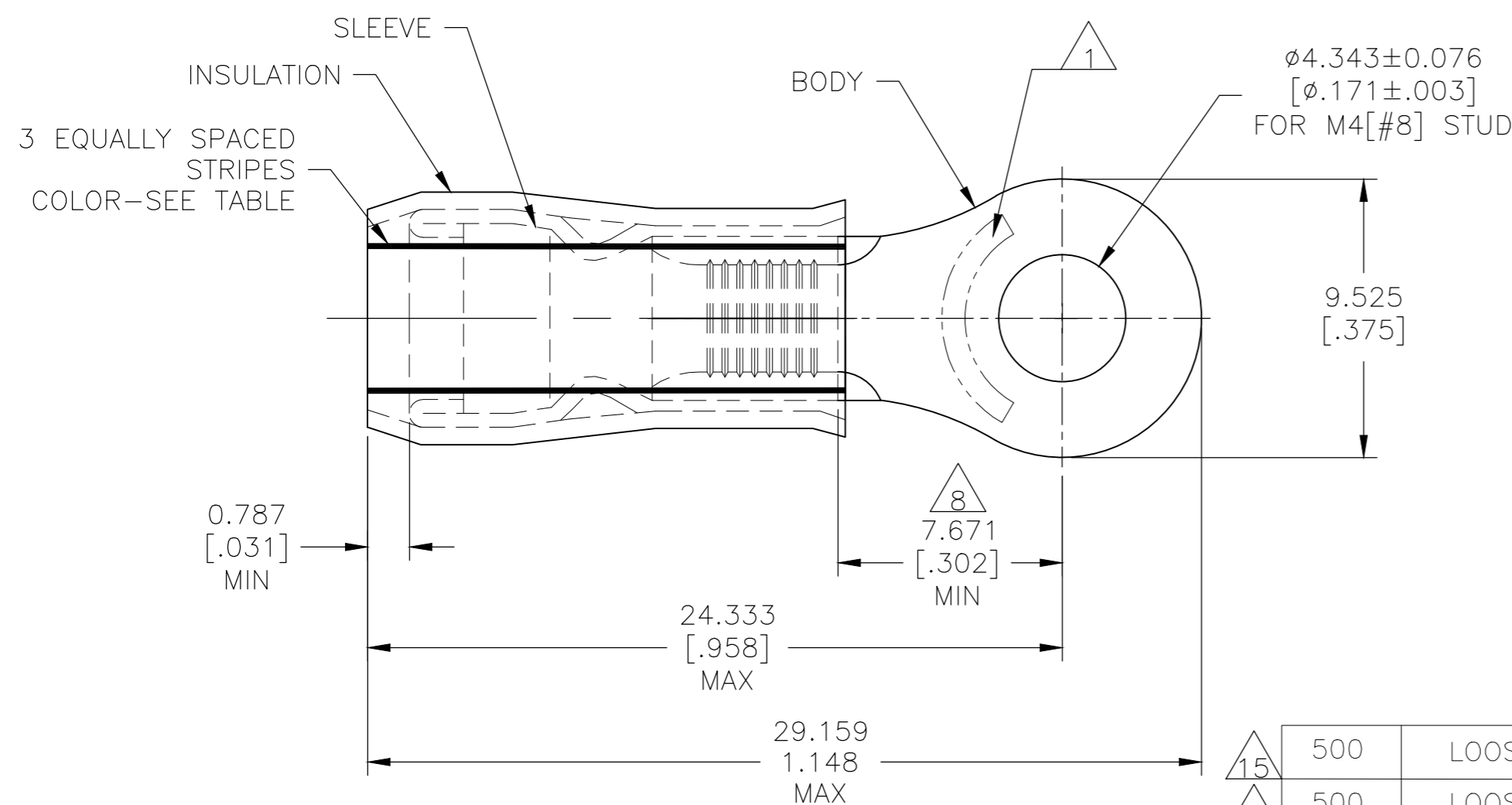


THIS DRAWING IS UNPUBLISHED. RELEASED FOR PUBLICATION
 © COPYRIGHT - By - ALL RIGHTS RESERVED.

REVISIONS					
P	LTR	DESCRIPTION	DATE	DWN	APVD
U1		REVISED PER ECO-17-007400	05DEC2017	RS	DR
U2		REVISED PER ECO-19-007720	21MAY2020	KR	DR



STYLE "A"



STYLE "B"
INSULATION RESTRICTING

AMP WIRE RANGE	E13288 Listed	LR7189 Certified
12-10 AWG SOLID OR STRANDED IR: STRANDED	12-10 AWG STRANDED $\triangle 14$	12-10 AWG $\triangle 15$ SOLID OR STRANDED IR: STRANDED

- $\triangle 1$ STAMP "AMP - SEE TABLE" APPROX AS SHOWN.
- 2 WIRE INSULATION DIA: SEE TABLE .
- 3 BODY MATERIAL THK: 1.016±0.051[.040±.002].
- $\triangle 4$ FINISH:
BODY: TIN PLATE 0.00254[.000100] MIN EXT THK PER ASTM B545.
INSULATION: COLOR-YELLOW
- $\triangle 5$ FINISH:
SLEEVE: TIN PLATE 0.00254[.000100] MIN EXT THK PER ASTM B545.
INSULATION: COLOR-YELLOW
- $\triangle 6$ FINISH:
SLEEVE: NICKEL PLATE PER SAE AMS QQ-N-290.
INSULATION: COLOR-YELLOW
- $\triangle 7$ MATERIAL:
BODY & SLEEVE- CU PER ASTM B152
INSULATION - NYLON PER ASTM D4066
- $\triangle 8$ APPLIES FROM EDGE OF METAL WIRE BARREL TO CENTER OF STUD HOLE.
- $\triangle 9$ MEETS MS25036-156, CLASS 1 & 2.
- $\triangle 10$ MEETS MS25036-156, CLASS 2.
- $\triangle 11$ MEETS M7928/1-57, CLASS 1 & 2.
- $\triangle 12$ MEETS M7928/1-64, CLASS 1 & 2.
- 13 NOTE DELETED.
- $\triangle 14$ UL LISTED
- $\triangle 15$ CSA CERTIFIED

$\triangle 15$	500	LOOSE PIECE	10*	3.023-5.080[.119-.200]	10	BROWN	B	$\triangle 4$	$\triangle 6$	$\triangle 12$	2-320568-3
$\triangle 15$	500	LOOSE PIECE	12*	2.413-5.080[.095-.200]	12	YELLOW	B	$\triangle 4$	$\triangle 6$	$\triangle 11$	2-320568-2
$\triangle 14$ $\triangle 15$	2500	ON TAPE & REEL	12-10*	3.810-5.842[.150-.230]	12-10	--	A	$\triangle 4$	$\triangle 5$	$\triangle 10$	2-320568-1
$\triangle 14$ $\triangle 15$	500	LOOSE PIECE	12-10*	3.810-5.842[.150-.230]	12-10	--	A	$\triangle 4$	$\triangle 5$	$\triangle 9$	320568
	QTY	PACKAGE TYPE	STAMPING	WIRE INSUL DIA	WIRE SIZE	STRIPE COLOR	STYLE	BODY FINISH	SLEEVE FINISH	PART NO	

CUSTOMER SERVICE SYSTEMS		MAX RECOMMENDED OPERATING TEMPERATURE: 105°C[221°F] MAX		THIS DRAWING IS A CONTROLLED DOCUMENT.		DWN JR RUTH 17DEC09		TE Connectivity													
FOR ADDITIONAL PRODUCT INFORMATION OR COPIES OF DRAWINGS AND TECHNICAL DOCUMENTS		PRODUCT INFORMATION CENTER 1-800-522-6752		DIMENSIONS: mm [INCHES]		TOLERANCES UNLESS OTHERWISE SPECIFIED: 0 PLC ± - 1 PLC ± - 2 PLC ± - 3 PLC ± 0.127[.005] 4 PLC ± - ANGLES ± -						CHK T MICHIELUTTI 17DEC09		NAME T MICHIELUTTI 17DEC09							
FOR APPLICATION TOOLING INFORMATION		TOOLING ASSISTANCE CENTER 1-800-722-1111		VOLTAGE RATING: 300 VOLT MAX		CIRCULAR MIL AREA: 2.62-6.64mm²[5,180-13,100] STRANDED OR SOLID		APVD T MICHIELUTTI 17DEC09		PRODUCT SPEC UL 486 A-B $\triangle 14$		APPLICATION SPEC 114-2157		SIZE A2		CAGE CODE 00779		DRAWING NO C-320568		RESTRICTED TO -	
FOR ORDER ENTRY		1-800-526-5142		MATERIAL $\triangle 7$		FINISH $\triangle 4$ $\triangle 5$ $\triangle 6$		WEIGHT -		CUSTOMER DRAWING		SCALE 5:1		SHEET 1 of 1		REV U2					

X-ON Electronics

Largest Supplier of Electrical and Electronic Components

Click to view similar products for [Terminals](#) category:

Click to view products by [TE Connectivity](#) manufacturer:

Other Similar products are found below :

[00-054007-01074-6](#) [00-054007-70206-1](#) [00-054007-70210-8](#) [00-054007-70217-7](#) [00-054007-70226-9](#) [00-054007-70228-3](#) [00-054007-70248-1](#) [00-054007-70256-6](#) [00-054007-70301-3](#) [00-054007-70316-7](#) [00-054007-49560-4](#) [00-054007-70209-2](#) [00-054007-70225-2](#) [00-054007-70227-6](#) [00-054007-70231-3](#) [00-054007-70241-2](#) [00-054007-70242-9](#) [00-054007-70244-3](#) [00-054007-70246-7](#) [00-054007-70263-4](#) [00-054007-70288-7](#) [00-054007-70290-0](#) [00-054007-70300-6](#) [00-054007-70304-4](#) [01-2065-1-0216](#) [01-2900-1-04412](#) [00581P0075](#) [600TS-10](#) [60205-1](#) [604200-1](#) [605601-1](#) [60598-1-CUT-TAPE](#) [61314-6-C](#) [61810-3](#) [61-S](#) [61-SN](#) [626-0194](#) [62-NBM-A](#) [62-SN](#) [62-SP](#) [63-S](#) [640179-1](#) [M55155/059I03](#) [M55155/079C01](#) [M55155/099H02](#) [M55155/109H01](#) [M55155/109H02](#) [M55155/12XH05](#) [M55155/16XH02](#) [M55155/29-5S](#)