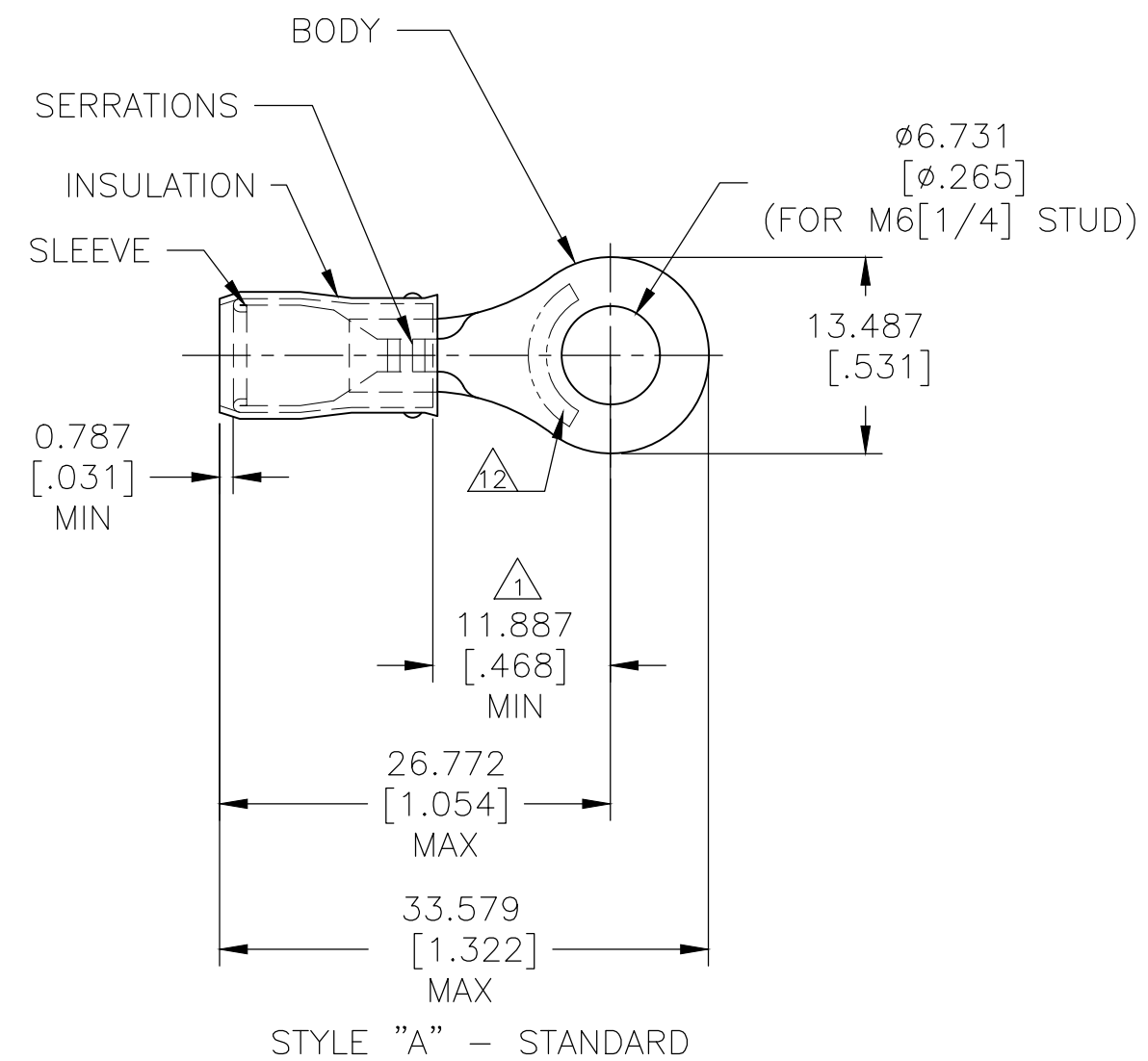


THIS DRAWING IS UNPUBLISHED. RELEASED FOR PUBLICATION  
 © COPYRIGHT - By - ALL RIGHTS RESERVED.

REVISIONS					
P	LTR	DESCRIPTION	DATE	DWN	APVD
	U1	REVISED PER ECO-17-007400	19DEC2017	RS	DR
	U2	REVISED PER ECO-19-007720	21MAY2020	KR	DR



- 1 APPLIES FROM EDGE OF METAL WIRE BARREL TO CENTER OF STUD HOLE.
- 2 BODY MATERIAL THK 1.016±0.051 [.040±.002]
- 3 105°C[221°F] MAX OPERATING TEMPERATURE
- 4 300 VOLT MAX.
- 5 CIRCULAR MIN AREA: 2.62–6.64 mm<sup>2</sup> [5180–13100] SOLID OR STRANDED.
- 6 UL LISTED E13288 12–10 AWG STRANDED.
- 7 CSA CERTIFIED LR7189 12–10 AWG SOLID OR STRANDED.
- 8 MILITARY MS25036–157 CLASS 1.
- 9 MILITARY MS25036–157 CLASS 2.
- 10 MATERIAL:  
BODY & SLEEVE: COPPER PER ASTM B-152  
INSULATION: NYLON PER ASTM D-4066, TYPE 1.
- 11 FINISH:  
BODY & SLEEVE: TIN PLATE PER ASTM B-545  
INSULATION: COLOR-YELLOW.
- 12 STAMP AMP  SEE TABLE, APPROX AS SHOWN.

STYLE "A" - STANDARD

		2500	NONE	12-10	3.810–5.842 [.150–.230]	12-10*	"A"	ON TAPE		2-320569-3	
		500	NONE	12-10	3.810–5.842 [.150–.230]	12-10*	"A"	LOOSE PIECE			320569
QTY	COLOR STRIPE	WIRE SIZE	FOR WIRE INSULATION OD	STAMP	STYLE	PACKAGING	PART NO.				

THIS DRAWING IS A CONTROLLED DOCUMENT.		DWN RAGHAVENDRA 08SEP2008	TE Connectivity		
		CHK T MICHELUTTI 08SEP2008			
DIMENSIONS: mm [INCHES]		APVD T MICHELUTTI 08SEP2008	NAME		
TOLERANCES UNLESS OTHERWISE SPECIFIED: 0 PLC ± - 1 PLC ± - 2 PLC ± - 3 PLC ± 0.127[.005] 4 PLC ± - ANGLES ± 0°30'		PRODUCT SPEC UL 486 A-B		TERMINAL RING TONGUE, NYLON, PIDG, WIRE SIZE: 12-10 AWG	
MATERIAL		APPLICATION SPEC 114-2157		SIZE	RESTRICTED TO
FINISH		WEIGHT -		CAGE CODE A300779	DRAWING NO C-320569
CUSTOMER DRAWING			SCALE 2:1	SHEET 1 OF 2	REV U2

THIS DRAWING IS UNPUBLISHED.

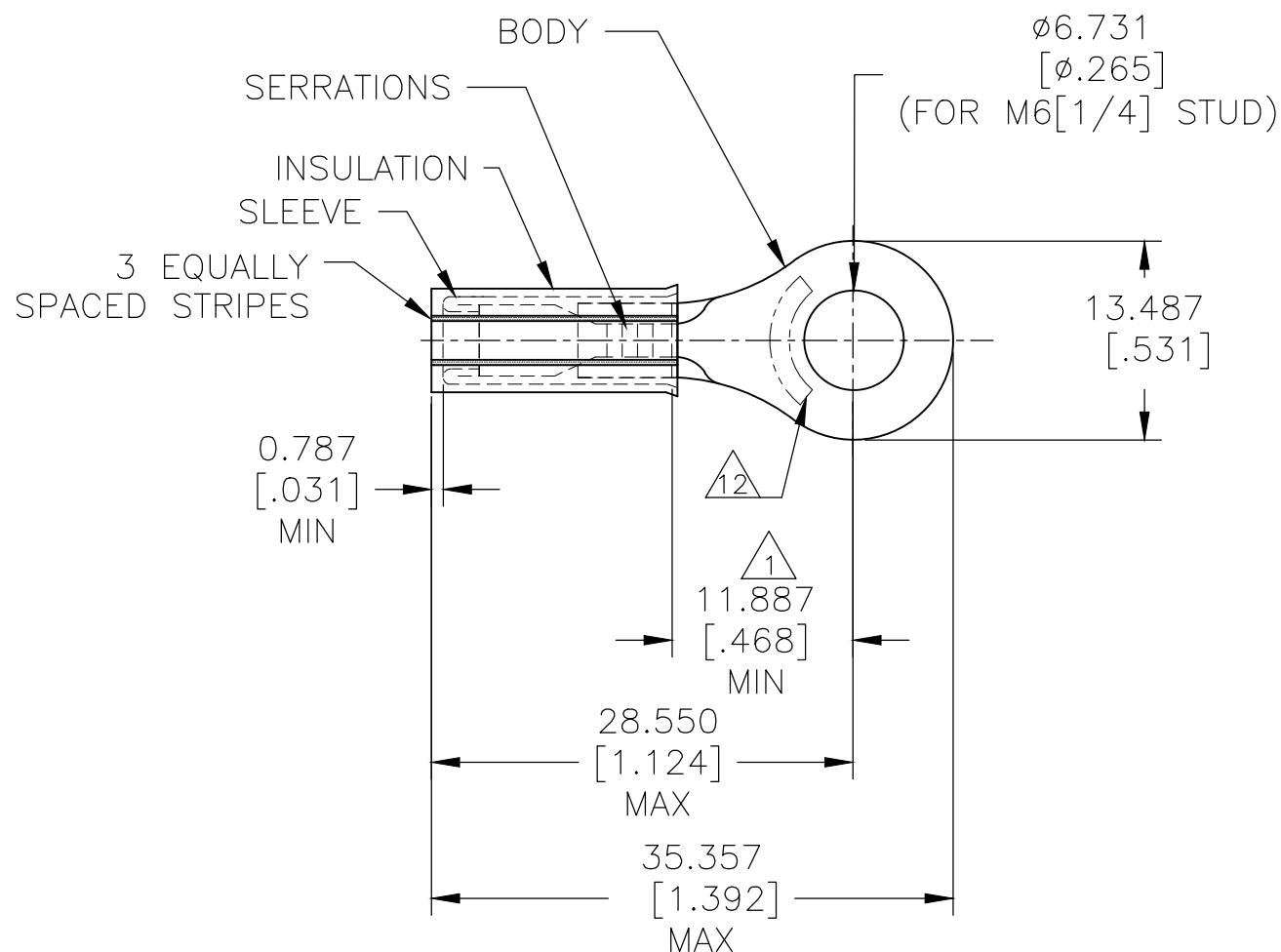
RELEASED FOR PUBLICATION

REVISIONS

© COPYRIGHT - By -

ALL RIGHTS RESERVED.

P	LTR	DESCRIPTION	DATE	DWN	APVD
-	-	SEE SHEET 1	-	-	-



STYLE "B" - INSULATION RESTRICTING

- 1 APPLIES FROM EDGE OF METAL WIRE BARREL TO CENTER OF STUD HOLE.
- 2 BODY MATERIAL THK 1.016±0.051 [.040±.002]
- 3 105°C[221°F] MAX OPERATING TEMPERATURE
- 4 300 VOLT MAX.
- 5 CIRCULAR MIN AREA: 2.62-6.64 mm<sup>2</sup> [5180-13100] SOLID OR STRANDED.
- 6 MILITARY M7928/1-59 CLASS 1.
- 7 MILITARY M7928/1-66 CLASS 1.
- 8 MILITARY M7928/1-59 CLASS 2.
- 9 MILITARY M7928/1-66 CLASS 2.
- 10 MATERIAL:  
BODY & SLEEVE: COPPER PER ASTM B-152  
INSULATION: NYLON PER ASTM D-4066, TYPE 1.
- 11 FINISH:  
BODY: TIN PLATE PER ASTM B-545  
SLEEVE: NICKEL PLATE PER QQ-N-290  
INSULATION: COLOR-YELLOW.
- 12 STAMP AMP SEE TABLE, APPROX AS SHOWN.
- 13 CSA CERTIFIED STRANDED

13	500	BROWN	10	3.023-5.080 [.119-.200]	10*	"B"	LOOSE PIECE	7 9 2-320569-6
13	500	YELLOW	12	2.413-5.080 [.095-.200]	12*	"B"	LOOSE PIECE	6 8 2-320569-5
	QTY	COLOR STRIPE	WIRE SIZE	FOR WIRE INSULATION OD	STAMP	STYLE	PACKAGING	PART NO.

THIS DRAWING IS A CONTROLLED DOCUMENT.

DIMENSIONS:	TOLERANCES UNLESS OTHERWISE SPECIFIED:
mm [INCHES]	
	0 PLC ± -
	1 PLC ± -
	2 PLC ± -
	3 PLC ± 0.127[.005]
	4 PLC ± -
	ANGLES ± 0°30'

MATERIAL



FINISH



DWN	08SEP2008
RAGHAVENDRA	
CHK	08SEP2008
T MICHIELUTTI	
APVD	08SEP2008
T MICHIELUTTI	
PRODUCT SPEC	
APPLICATION SPEC	
114-2157	
WEIGHT	-

**STE** TE Connectivity

NAME  
 TERMINAL  
 RING TONGUE, NYLON, PIDG, IR,  
 WIRE SIZE: 12 & 10 AWG

SIZE	CAGE CODE	DRAWING NO	RESTRICTED TO
A3	00779	C-320569	-

CUSTOMER DRAWING SCALE 2:1 SHEET 2 OF 2 REV U2

## X-ON Electronics

Largest Supplier of Electrical and Electronic Components

*Click to view similar products for [Terminals](#) category:*

*Click to view products by [TE Connectivity](#) manufacturer:*

Other Similar products are found below :

[00-054007-01074-6](#) [00-054007-70206-1](#) [00-054007-70210-8](#) [00-054007-70217-7](#) [00-054007-70226-9](#) [00-054007-70228-3](#) [00-054007-70248-1](#) [00-054007-70256-6](#) [00-054007-70301-3](#) [00-054007-70316-7](#) [00-054007-49560-4](#) [00-054007-70209-2](#) [00-054007-70225-2](#) [00-054007-70227-6](#) [00-054007-70231-3](#) [00-054007-70241-2](#) [00-054007-70242-9](#) [00-054007-70244-3](#) [00-054007-70246-7](#) [00-054007-70263-4](#) [00-054007-70288-7](#) [00-054007-70290-0](#) [00-054007-70300-6](#) [00-054007-70304-4](#) [01-2065-1-0216](#) [01-2900-1-04412](#) [00581P0075](#) [600TS-10](#) [60205-1](#) [604200-1](#) [605601-1](#) [60598-1-CUT-TAPE](#) [61314-6-C](#) [61810-3](#) [61-S](#) [61-SN](#) [626-0194](#) [62-NBM-A](#) [62-SN](#) [62-SP](#) [63-S](#) [640179-1](#) [M55155/059I03](#) [M55155/079C01](#) [M55155/099H02](#) [M55155/109H01](#) [M55155/109H02](#) [M55155/12XH05](#) [M55155/16XH02](#) [M55155/29-5S](#)