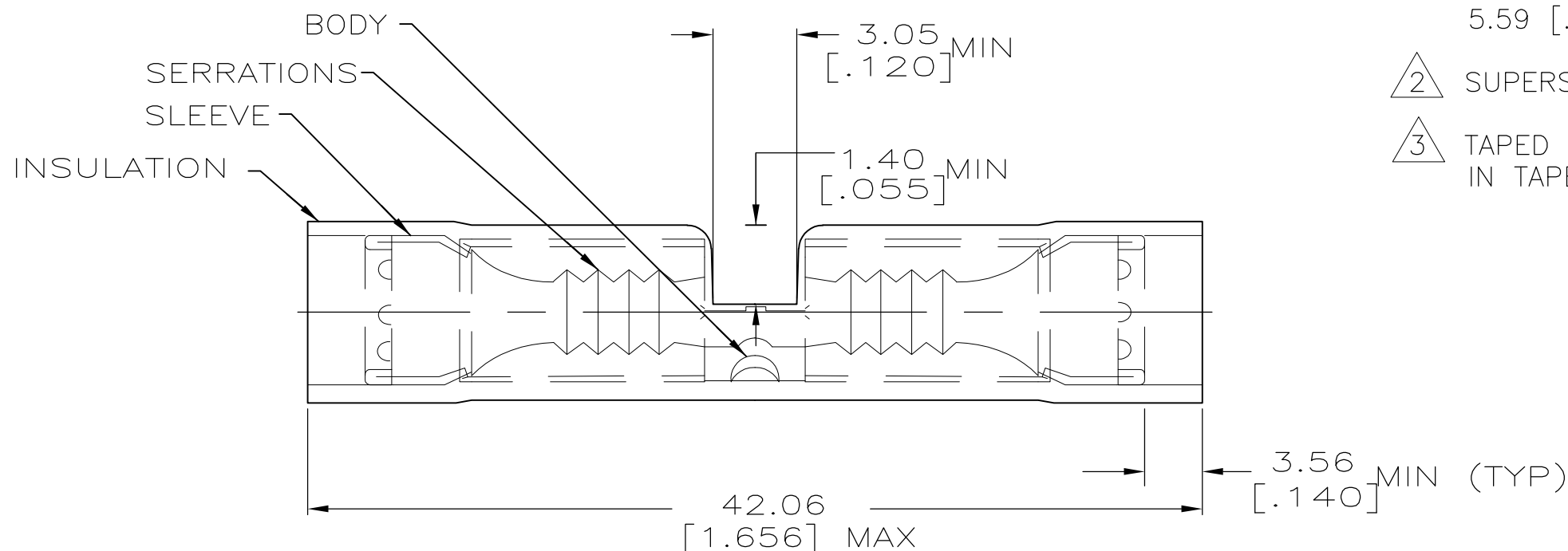


THIS DRAWING IS UNPUBLISHED. RELEASED FOR PUBLICATION  
 © COPYRIGHT - By - ALL RIGHTS RESERVED.

LOC	DIST	REVISIONS			
P	LTR	DESCRIPTION	DATE	DWN	APVD
G	14	V1	REVISED PER ECO-11-004587	11MAR11	RK HMR

300 VOLT MAX		
AMP WIRE RANGE	Listed FILE E13288	LR7189 Certified
12-10 AWG SOLID OR STRANDED	12-10 AWG SOLID OR STRANDED	12-10 AWG SOLID OR STRANDED

600 VOLT MAX		
AMP WIRE RANGE	Listed FILE E13288	LR7189 Certified
12-10 AWG STRANDED	12-10 AWG STRANDED	12-10 AWG STRANDED



1 WIRE INSULATION DIA 3.81 [.150] TO 5.59 [.220].

2 SUPERSEDED BY 8-320570-2

3 TAPED PART LONG, CRIMP ONLY IN TAPETRONICS.

MILITARY PART NUMBER & CLASS PER MIL-T-7928	QTY	PACKAGE TYPE	PART NUMBER
-	1000	BULK, LOOSE PIECE	8-320570-5
-	1500	ON TAPE, REEL	2-320570-3
-	5	LOOSE PIECE, BLS	8-320570-4
-	50	LOOSE PIECE, BOX	8-320570-2
M7928/5-5 CLASS 1 & 2	50	LOOSE PIECE	320570

AMP INCORPORATED CUSTOMER SERVICE SYSTEMS		MAX RECOMMENDED OPERATING TEMPERATURE: 105° C
FOR ADDITIONAL PRODUCT INFORMATION OR COPIES OF DRAWINGS AND TECHNICAL DOCUMENTS	PRODUCT INFORMATION CENTER 1-800-522-6752	VOLTAGE RATING: 600V MAX 1000V MAX (FIXTURE OR SIGN)
FOR APPLICATION TOOLING INFORMATION	TOOLING ASSISTANCE CENTER 1-800-722-1111	CIRCULAR MIL AREA: 2.62-6.64mm² [5,180-13,100]
FOR ORDER ENTRY	1-800-526-5142	THIS DRAWING IS A CONTROLLED DOCUMENT FOR AMP INCORPORATED. IT IS SUBJECT TO CHANGE AND THE CONTROLLING ENGINEERING ORGANIZATION SHOULD BE CONTACTED FOR THE LATEST REVISION.

THIS DRAWING IS A CONTROLLED DOCUMENT.		DWN S.S. GOULDEN 9-28-93	TE Connectivity	
DIMENSIONS: MM [ INCHES ]		CHK R. HERSEY 9-28-93		
TOLERANCES UNLESS OTHERWISE SPECIFIED:		APVD T. MICHIELUTTI 9-28-93	NAME	
0 PLC ± -		PRODUCT SPEC	SPLICE, BUTT, PIDG, WIRE SIZE: 12-10 AWG	
1 PLC ± -		APPLICATION SPEC	-	
2 PLC ± 0.20[.008]		WEIGHT -	SIZE	CAGE CODE
3 PLC ± -		CUSTOMER DRAWING	A3	00779
4 PLC ± -			DRAWING NO	C-320570
ANGLES ± -		SCALE	1:1	SHEET
MATERIAL COPPER ASTM B-152	FINISH TIN PLATE	1 OF 1	REV	V1

## X-ON Electronics

Largest Supplier of Electrical and Electronic Components

*Click to view similar products for [Terminals](#) category:*

*Click to view products by [TE Connectivity](#) manufacturer:*

Other Similar products are found below :

[00-054007-01074-6](#) [00-054007-70206-1](#) [00-054007-70210-8](#) [00-054007-70217-7](#) [00-054007-70226-9](#) [00-054007-70228-3](#) [00-054007-70248-1](#) [00-054007-70256-6](#) [00-054007-70301-3](#) [00-054007-70316-7](#) [00-054007-49560-4](#) [00-054007-70209-2](#) [00-054007-70225-2](#) [00-054007-70227-6](#) [00-054007-70231-3](#) [00-054007-70241-2](#) [00-054007-70242-9](#) [00-054007-70244-3](#) [00-054007-70246-7](#) [00-054007-70263-4](#) [00-054007-70288-7](#) [00-054007-70290-0](#) [00-054007-70300-6](#) [00-054007-70304-4](#) [01-2065-1-0216](#) [01-2900-1-04412](#) [00581P0075](#) [600TS-10](#) [60205-1](#) [604200-1](#) [605601-1](#) [60598-1-CUT-TAPE](#) [61314-6-C](#) [61810-3](#) [61-S](#) [61-SN](#) [626-0194](#) [62-NBM-A](#) [62-SN](#) [62-SP](#) [63-S](#) [640179-1](#) [M55155/059I03](#) [M55155/079C01](#) [M55155/099H02](#) [M55155/109H01](#) [M55155/109H02](#) [M55155/12XH05](#) [M55155/16XH02](#) [M55155/29-5S](#)