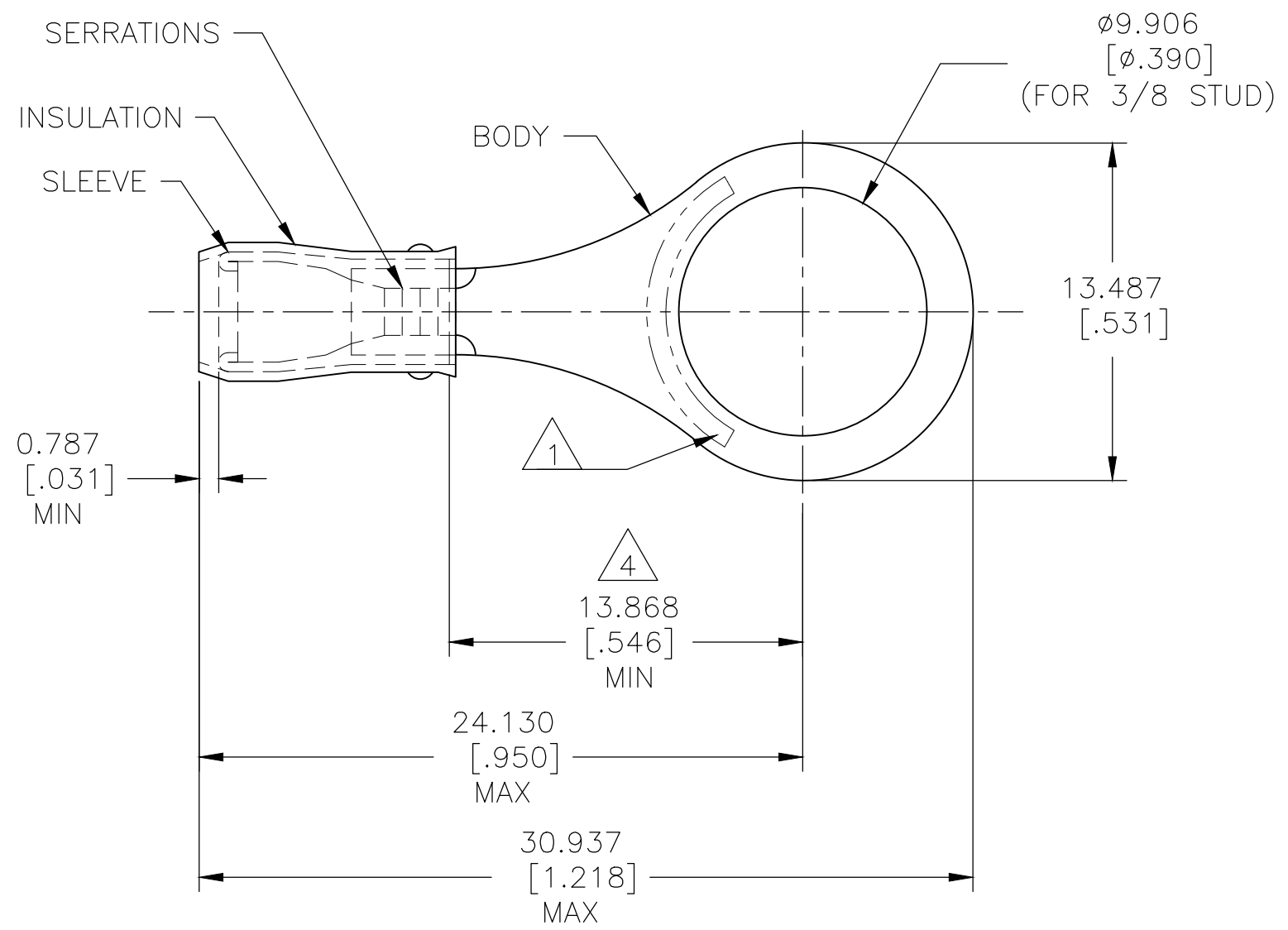


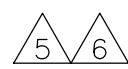
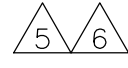
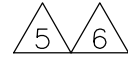

THIS DRAWING IS UNPUBLISHED. RELEASED FOR PUBLICATION  
 © COPYRIGHT - By - ALL RIGHTS RESERVED.

REVISIONS					
P	LTR	DESCRIPTION	DATE	DWN	APVD
	Y1	REVISED PER ECO-17-007400	19DEC2017	RS	DR
	Y2	REVISED PER ECO-19-007720	21MAY2020	KR	DR

<b>AMP</b> WIRE RANGE	 E13288 Listed	 LR7189 Certified
22-16 AWG SOLID OR STRANDED	22-16 AWG STRANDED	22-16 AWG SOLID OR STRANDED



- 1 STAMP AMP 22-18\* LOCATE APPROX AS SHOWN 22-16 TERMINALS ARE STAMPED 22-18 IN ACCORDANCE WITH MILITARY SPEC SAE AS7928 COMMERCIAL WIRE RANGE IS 22-16.
- 2 WIRE INSUL :  $\phi 2.032[\phi .080]-\phi 3.175[\phi .125]$ .
- 3 BODY MATERIAL THK:  $0.787\pm 0.051[.031\pm .002]$ .
- 4 APPLIES FROM EDGE OF METAL WIRE BARREL TO CENTER OF STUD HOLE.
- 5 UL LISTED
- 6 CSA CERTIFIED

 	MS 25036-105 CLASS 2	5000	ON TAPE	2-320573-4
 	MS 25036-105 CLASS 1 & 2	1000	LOOSE PIECE	320573
	MILITARY P/N AND CLASS	QUANTITY	PACKAGE TYPE	PART NO

**AMP INCORPORATED  
CUSTOMER SERVICE SYSTEMS**

FOR ADDITIONAL PRODUCT INFORMATION OR COPIES OF DRAWINGS AND TECHNICAL DOCUMENTS  
 PRODUCT INFORMATION CENTER  
 1-800-522-6752

FOR APPLICATION TOOLING INFORMATION  
 TOOLING ASSISTANCE CENTER  
 1-800-722-1111

FOR ORDER ENTRY  
 1-800-526-5142

MAX RECOMMENDED OPERATING TEMPERATURE:  
 105°C[221°F] MAX

VOLTAGE RATING:  
 300 V MAX

CIRCULAR MIL AREA:  
 0.26-1.65mm (509-3,260) CIR MILS  
 SOLID OR STRANDED

THIS DRAWING IS A CONTROLLED DOCUMENT.

DIMENSIONS: mm [INCHES]

TOLERANCES UNLESS OTHERWISE SPECIFIED:

0 PLC	± -
1 PLC	± -
2 PLC	± -
3 PLC	± 0.127[.005]
4 PLC	± -
ANGLES	± -

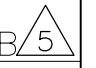
MATERIAL: BODY & SLEEVE COPPER PER ASTM B-152 INSULATION: NYLON

FINISH: BODY & SLEEVE TIN PLATE PER ASTM B 545 INSULATION: COLOR-RED

DWN DK SCHRUM 9/93  
 CHK RE HERSEY 9/93  
 APVD ML ELLIS 9/93

**STE** TE Connectivity

NAME: TERMINAL, RING TONGUE, PIDG™, WIRE SIZE, 22-16 AWG

PRODUCT SPEC:  UL 486 A-B/5

APPLICATION SPEC: 114-2157


WEIGHT: -

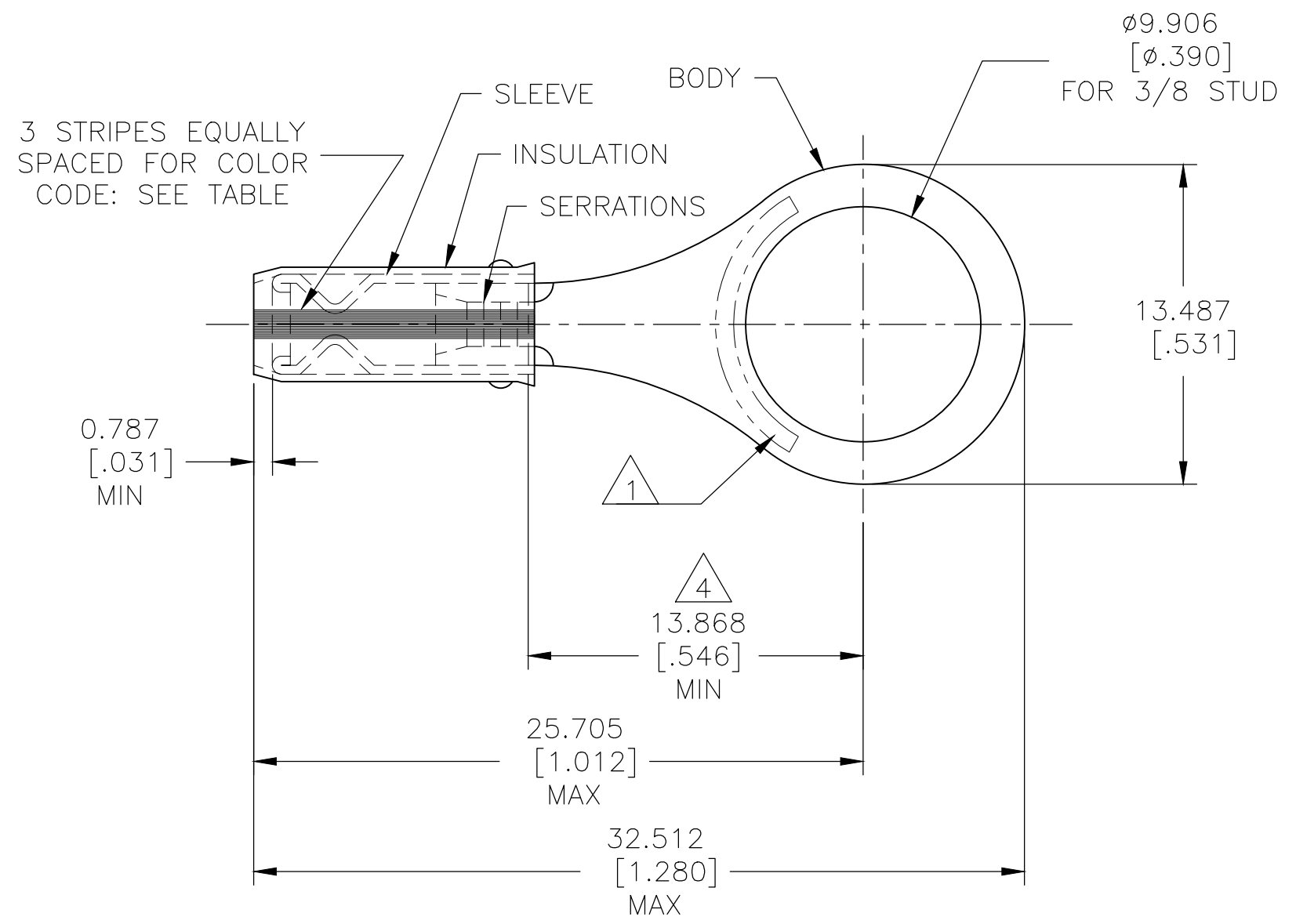
SIZE: A3 CAGE CODE: 00779 DRAWING NO: C-320573 RESTRICTED TO: -

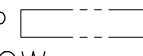
CUSTOMER DRAWING SCALE: 4:1 SHEET: 1 OF 2 REV: Y2

THIS DRAWING IS UNPUBLISHED. RELEASED FOR PUBLICATION  
 © COPYRIGHT - By - ALL RIGHTS RESERVED.


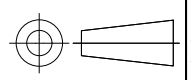
REVISIONS					
P	LTR	DESCRIPTION	DATE	DWN	APVD
-	-	SEE SHEET 1	-	-	-

<b>AMP</b> WIRE RANGE	 LR7189 Certified
SEE TABLE STRANDED	WIRE SIZE PER TABLE STRANDED



- 1 STAMP AMP  LOCATE APPROX AS SHOWN SEE TABLE BELOW.
- 2 WIRE INSULATION :  $\phi 0.965-2.794[\phi 0.038-.110]$  FOR 22 AWG.  
 $\phi 1.168-2.794[\phi 0.046-.110]$  FOR 20 AWG.  
 $\phi 1.422-2.794[\phi 0.056-.110]$  FOR 18 AWG.
- 3 BODY MATERIAL THK:  $0.787 \pm 0.051[.031 \pm .002]$ .
- 4 APPLIES FROM EDGE OF METAL WIRE BARREL TO CENTER OF STUD HOLE.
- 5 CSA CERTIFIED

5	M7928/1-36 CLASS 1 & 2	WHITE	18*	18	1000	LOOSE PIECE	2-320573-3	
5	M7928/1-27 CLASS 1 & 2	RED	20*	20			2-320573-2	
5	M7928/1-18 CLASS 1 & 2	GREEN	22*	22			2-320573-1	
	MILITARY P/N AND CLASS	STRIPE COLOR	1	STAMPING	WIRE SIZE	QTY	PACKAGE TYPE	PART NO

<b>AMP INCORPORATED CUSTOMER SERVICE SYSTEMS</b>		MAX RECOMMENDED OPERATING TEMPERATURE: 105°C[221°F] MAX	THIS DRAWING IS A CONTROLLED DOCUMENT.		DWN DK SCHRUM 9/93	 TE Connectivity						
FOR ADDITIONAL PRODUCT INFORMATION OR COPIES OF DRAWINGS AND TECHNICAL DOCUMENTS	PRODUCT INFORMATION CENTER 1-800-522-6752	VOLTAGE RATING: 300 V MAX	DIMENSIONS: mm [INCHES]	TOLERANCES UNLESS OTHERWISE SPECIFIED: 0 PLC ± - 1 PLC ± - 2 PLC ± - 3 PLC ± 0.127[.005] 4 PLC ± - ANGLES ± -	CHK RE HERSEY 9/93					NAME TERMINAL, RING TONGUE, I.R., PIDG™, WIRE SIZE, 22,20 & 18 AWG		
FOR APPLICATION TOOLING INFORMATION	TOOLING ASSISTANCE CENTER 1-800-722-1111	WIRE RANGE: 22 0.38mm² [754] 20 0.60mm² [1,186] 18 0.96mm² [1,900] STRANDED		FINISH BODY & SLEEVE COPPER PER ASTM B-152 INSULATION: NYLON	APVD ML ELLIS 9/93	PRODUCT SPEC -	APPLICATION SPEC 114-2157	WEIGHT -	SIZE A3	CAGE CODE 00779	DRAWING NO C-320573	RESTRICTED TO -
FOR ORDER ENTRY	1-800-526-5142				CUSTOMER DRAWING				SCALE 4:1	SHEET 2 OF 2	REV Y2	

## X-ON Electronics

Largest Supplier of Electrical and Electronic Components

*Click to view similar products for [Terminals](#) category:*

*Click to view products by [TE Connectivity](#) manufacturer:*

Other Similar products are found below :

[00-054007-01074-6](#) [00-054007-70206-1](#) [00-054007-70210-8](#) [00-054007-70217-7](#) [00-054007-70226-9](#) [00-054007-70228-3](#) [00-054007-70248-1](#) [00-054007-70256-6](#) [00-054007-70301-3](#) [00-054007-70316-7](#) [00-054007-49560-4](#) [00-054007-70209-2](#) [00-054007-70225-2](#) [00-054007-70227-6](#) [00-054007-70231-3](#) [00-054007-70241-2](#) [00-054007-70242-9](#) [00-054007-70244-3](#) [00-054007-70246-7](#) [00-054007-70263-4](#) [00-054007-70288-7](#) [00-054007-70290-0](#) [00-054007-70300-6](#) [00-054007-70304-4](#) [01-2065-1-0216](#) [01-2900-1-04412](#) [00581P0075](#) [600TS-10](#) [60205-1](#) [604200-1](#) [605601-1](#) [60598-1-CUT-TAPE](#) [61314-6-C](#) [61810-3](#) [61-S](#) [61-SN](#) [626-0194](#) [62-NBM-A](#) [62-SN](#) [62-SP](#) [63-S](#) [640179-1](#) [M55155/059I03](#) [M55155/079C01](#) [M55155/099H02](#) [M55155/109H01](#) [M55155/109H02](#) [M55155/12XH05](#) [M55155/16XH02](#) [M55155/29-5S](#)