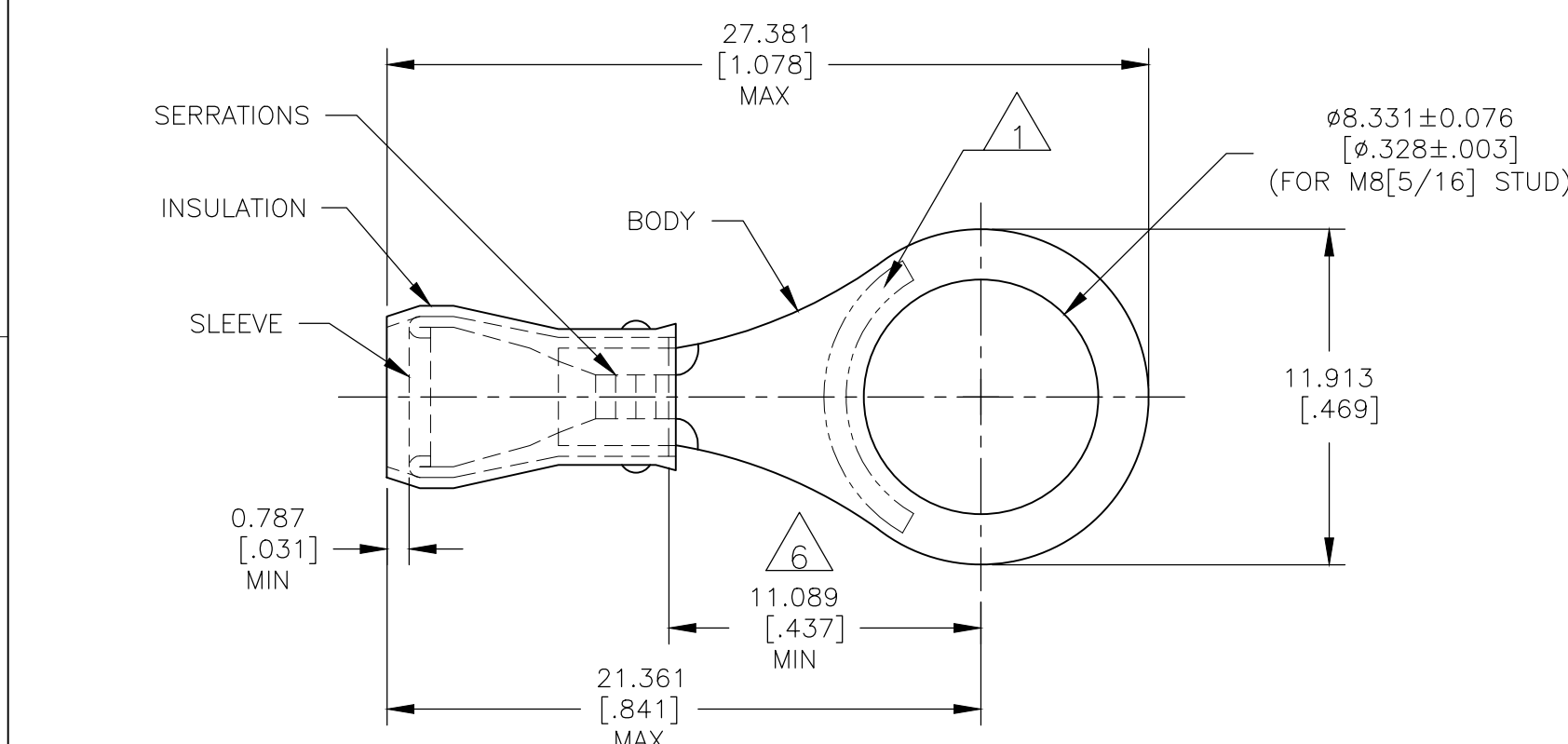


THIS DRAWING IS UNPUBLISHED. RELEASED FOR PUBLICATION
 © COPYRIGHT - By - ALL RIGHTS RESERVED.

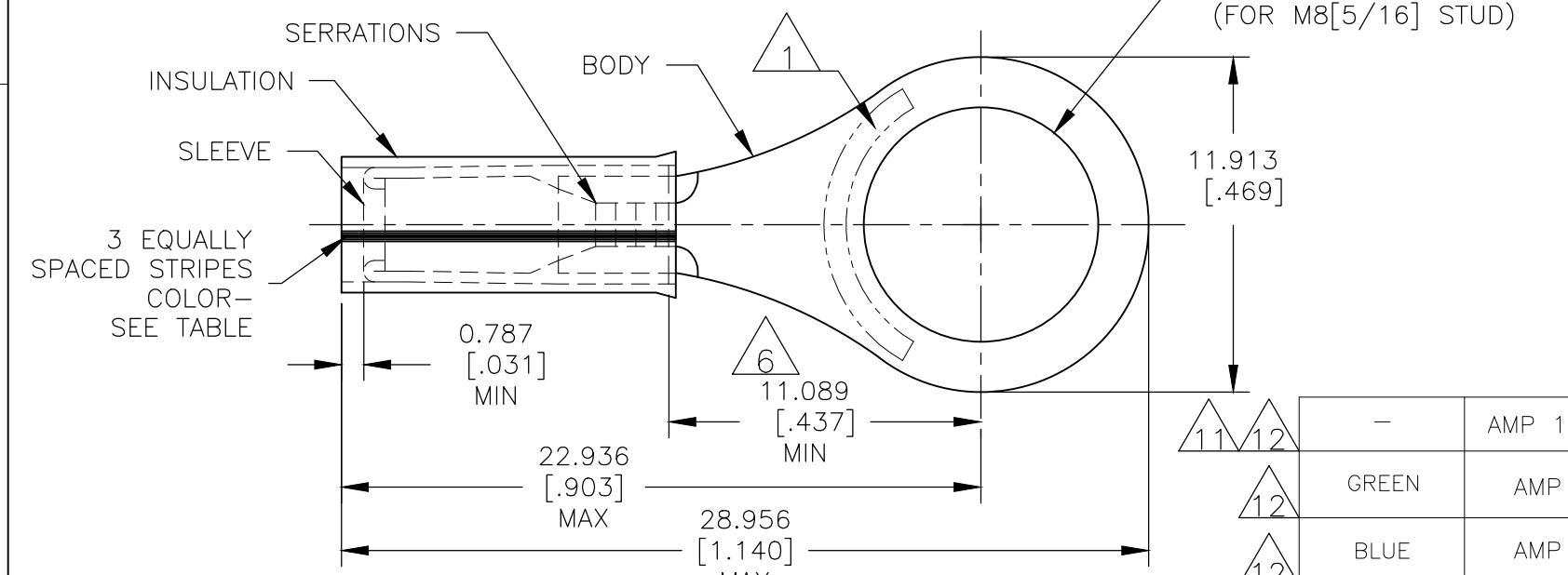
REVISIONS					
P	LTR	DESCRIPTION	DATE	DWN	APVD
S1		REVISED PER ECO-17-007400	15DEC2017	RS	DR
S2		REVISED PER ECO-19-007720	21MAY2020	KR	DR

AMP WIRE RANGE	Listed FILE E13288	LR7189 Certified
16-14 AWG SOLID OR STRANDED IR: STRANDED	16-14 AWG STRANDED	16-14 AWG SOLID OR STRANDED IR: STRANDED

- STAMP (SEE TABLE) APPROX AS SHOWN.
- 2 WIRE INSULATION DIA: SEE TABLE.
- 3 BODY MATERIAL THK: 0.787±0.051[.031±.002]
- BODY & SLEEVE: TIN PLATE PER ASTM B545
INSULATION: NYLON ASTM D4066, TYPE 1.
- BODY & SLEEVE- COPPER PER ASTM B152
INSULATION - COLOR - BLUE.
- APPLIES FROM EDGE OF METAL WIRE BARREL
TO CENTER OF STUD HOLE.
- MEETS MS25036-109, CLASS 1 & 2.
- MEETS MS25036-109, CLASS 2.
- MEETS M7928/1-44, CLASS 1 & 2.
- MEETS M7928/1-53, CLASS 1 & 2.
- UL LISTED
- CSA CERTIFIED



STYLE "A"



STYLE "B"
INSULATION RESTRICTING

COLOR CODE STRIPE	STAMPING	WIRE INS. DIA	WIRE SIZE	STYLE	QTY	PACKAGE TYPE	PART NO
-	AMP 16-14*	2.667-3.810[.105-.150]	16-14	"A"	4000	ON TAPE	2-320575-1
GREEN	AMP 14*	1.981-3.302[.078-.130]	14	"B"	1000	INSULATION RESTRICTING LOOSE PIECE	2-320575-3
BLUE	AMP 16*	1.600-3.302[.063-.130]	16	"B"	1000	INSULATION RESTRICTING LOOSE PIECE	2-320575-2
-	AMP 16-14*	2.667-3.810[.105-.150]	16-14	"A"	1000	LOOSE PIECE	320575

AMP INCORPORATED CUSTOMER SERVICE SYSTEMS		MAX RECOMMENDED OPERATING TEMPERATURE: 105°C [221°F]	THIS DRAWING IS A CONTROLLED DOCUMENT.		DWN JR RUTH 09SEPT09	TE Connectivity				
FOR ADDITIONAL PRODUCT INFORMATION OR COPIES OF DRAWINGS AND TECHNICAL DOCUMENTS	PRODUCT INFORMATION CENTER 1-800-522-6752	VOLTAGE RATING: 300 V MAX	DIMENSIONS: mm [INCHES]	TOLERANCES UNLESS OTHERWISE SPECIFIED: 0 PLC ± - 1 PLC ± - 2 PLC ± - 3 PLC ± 0.127[.005] 4 PLC ± - ANGLES ± -	CHK T MICHIELUTTI 09SEPT09				NAME TERMINAL, RING TONGUE, PIDG (16-14 AWG) PIDG IR (16 & 14 AWG)	
FOR APPLICATION TOOLING INFORMATION	TOOLING ASSISTANCE CENTER 1-800-722-1111	CIRCULAR MIL AREA: 1.04-2.62mm² [2,050-5,180] SOLID OR STRANDED		MATERIAL	APVD T MICHIELUTTI 09SEPT09	PRODUCT SPEC UL 486 A-B	SIZE	CAGE CODE	DRAWING NO	RESTRICTED TO
FOR ORDER ENTRY	1-800-526-5142	THIS DRAWING IS A CONTROLLED DOCUMENT FOR AMP INCORPORATED. IT IS SUBJECT TO CHANGE AND THE CONTROLLING ENGINEERING ORGANIZATION SHOULD BE CONTACTED FOR THE LATEST REVISION.		FINISH	APPLICATION SPEC 114-2157	WEIGHT -	A3	00779	C-320575	
CUSTOMER DRAWING						SCALE 4:1	SHEET 1 OF 1	REV S2		

X-ON Electronics

Largest Supplier of Electrical and Electronic Components

Click to view similar products for [Terminals](#) category:

Click to view products by [TE Connectivity](#) manufacturer:

Other Similar products are found below :

[00-054007-01074-6](#) [00-054007-70206-1](#) [00-054007-70210-8](#) [00-054007-70217-7](#) [00-054007-70226-9](#) [00-054007-70228-3](#) [00-054007-70248-1](#) [00-054007-70256-6](#) [00-054007-70301-3](#) [00-054007-70316-7](#) [0-0320562-0](#) [00-054007-49560-4](#) [00-054007-70209-2](#) [00-054007-70225-2](#) [00-054007-70227-6](#) [00-054007-70231-3](#) [00-054007-70241-2](#) [00-054007-70242-9](#) [00-054007-70244-3](#) [00-054007-70246-7](#) [00-054007-70263-4](#) [00-054007-70288-7](#) [00-054007-70290-0](#) [00-054007-70300-6](#) [00-054007-70304-4](#) [01-2065-1-0216](#) [01-2900-1-04412](#) [00581P0075](#) [600TS-10](#) [60205-1](#) [604200-1](#) [605601-1](#) [60598-1-CUT-TAPE](#) [61314-6-C](#) [61810-3](#) [61-S](#) [61-SN](#) [626-0194](#) [62-NBM-A](#) [62-SN](#) [62-SP](#) [63-S](#) [640179-1](#) [M55155/059I03](#) [M55155/079C01](#) [M55155/099H02](#) [M55155/109H01](#) [M55155/109H02](#) [M55155/12XH05](#) [M55155/16XH02](#)