

4

3

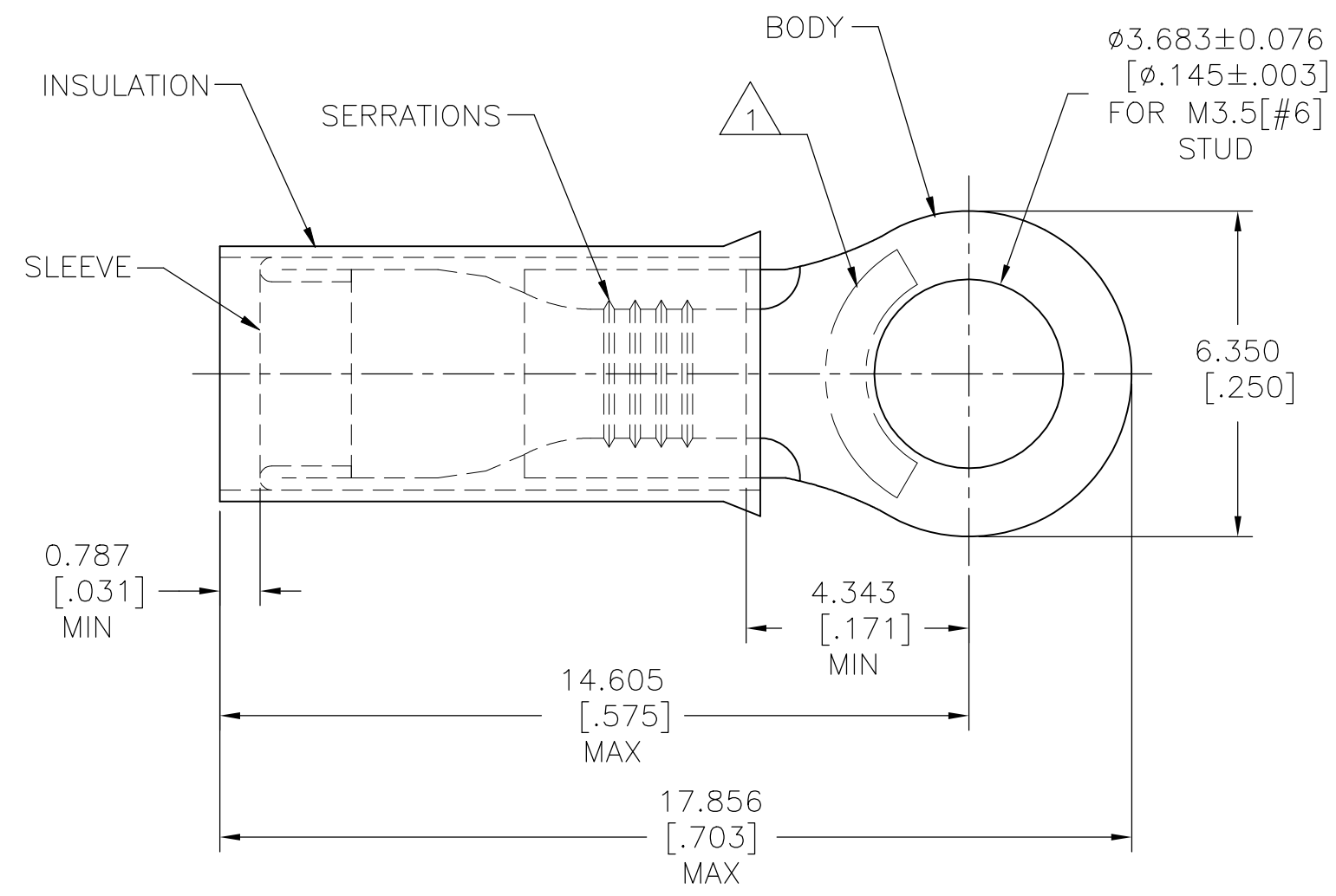
2

1

THIS DRAWING IS UNPUBLISHED. RELEASED FOR PUBLICATION  
 © COPYRIGHT - By - ALL RIGHTS RESERVED.

REVISIONS				
P	LTR	DESCRIPTION	DATE	APVD
	H1	REVISED PER ECO-11-004820	11MAR11	RK HMR
	H2	REVISED PER ECO-18-009926	26JUN2018	RS DR

<b>AMP</b> WIRE RANGE	Listed	LR7189 Certified
16-14 AWG SOLID OR STRANDED	16-14 AWG SOLID OR STRANDED	16-14 AWG SOLID OR STRANDED



- 1 STAMP AMP 16-14\*, APPROX AS SHOWN. STAMP MAY BE ON TOP OR BOTTOM
- 2 BODY THICKNESS IS 0.787±.051[.031±.002]
- 3 FOR 2.921 - 4.318[.115 - .170] WIRE INSULATION DIA
- 4 MAX RECOMMENDED OPERATING TEMP IS 105°C[221°F]
- 5 300 VOLT MAX RATING
- 6 WIRE CROSS SECTIONAL AREA RANGE 1.04-2.62mm [2,050-5,180 CIR MILS]

100	LOOSE PIECE, BOX	BODY & SLEEVE: COPPER PER ASTM B152 TIN PL. PER ASTM B-545	8-320619-1
5000	ON TAPE, REEL		2-320619-1
1000	LOOSE PIECE	INSULATION: NYLON COLOR: BLUE	320619
QTY	PACKAGING	MATERIAL / FINISH	PART NO

THIS DRAWING IS A CONTROLLED DOCUMENT.		DWN RAVI S 26JUN2018	TE Connectivity Ltd.	
DIMENSIONS: mm [INCHES]		CHK ROHDE DANIEL F 26JUN2018		
TOLERANCES UNLESS OTHERWISE SPECIFIED:		APVD ROHDE DANIEL F 26JUN2018	NAME	
0 PLC ± -		PRODUCT SPEC	WIRE TERMINAL	
1 PLC ± -		APPLICATION SPEC	PIDG, RING TONGUE	
2 PLC ± -		UL486A-B	WIRE SIZE: 16-14 AWG	
3 PLC ± 0.127[.005]		114-2157	SIZE A3	CAGE CODE 00779
4 PLC ± -		WEIGHT	DRAWING NO C-320619	RESTRICTED TO -
ANGLES ± 1°		CUSTOMER DRAWING	SCALE 8:1	SHEET 1 OF 1
MATERIAL -	FINISH -			REV H2

## X-ON Electronics

Largest Supplier of Electrical and Electronic Components

*Click to view similar products for [Terminals](#) category:*

*Click to view products by [TE Connectivity](#) manufacturer:*

Other Similar products are found below :

[00-054007-01074-6](#) [00-054007-70206-1](#) [00-054007-70210-8](#) [00-054007-70217-7](#) [00-054007-70226-9](#) [00-054007-70228-3](#) [00-054007-70248-1](#) [00-054007-70256-6](#) [00-054007-70301-3](#) [00-054007-70316-7](#) [00-054007-49560-4](#) [00-054007-70209-2](#) [00-054007-70225-2](#) [00-054007-70227-6](#) [00-054007-70231-3](#) [00-054007-70241-2](#) [00-054007-70242-9](#) [00-054007-70244-3](#) [00-054007-70246-7](#) [00-054007-70263-4](#) [00-054007-70288-7](#) [00-054007-70290-0](#) [00-054007-70300-6](#) [00-054007-70304-4](#) [01-2065-1-0216](#) [01-2900-1-04412](#) [00581P0075](#) [600TS-10](#) [60205-1](#) [604200-1](#) [605601-1](#) [60598-1-CUT-TAPE](#) [61314-6-C](#) [61810-3](#) [61-S](#) [61-SN](#) [626-0194](#) [62-NBM-A](#) [62-SN](#) [62-SP](#) [63-S](#) [640179-1](#) [M55155/059I03](#) [M55155/079C01](#) [M55155/099H02](#) [M55155/109H01](#) [M55155/109H02](#) [M55155/12XH05](#) [M55155/16XH02](#) [M55155/29-5S](#)