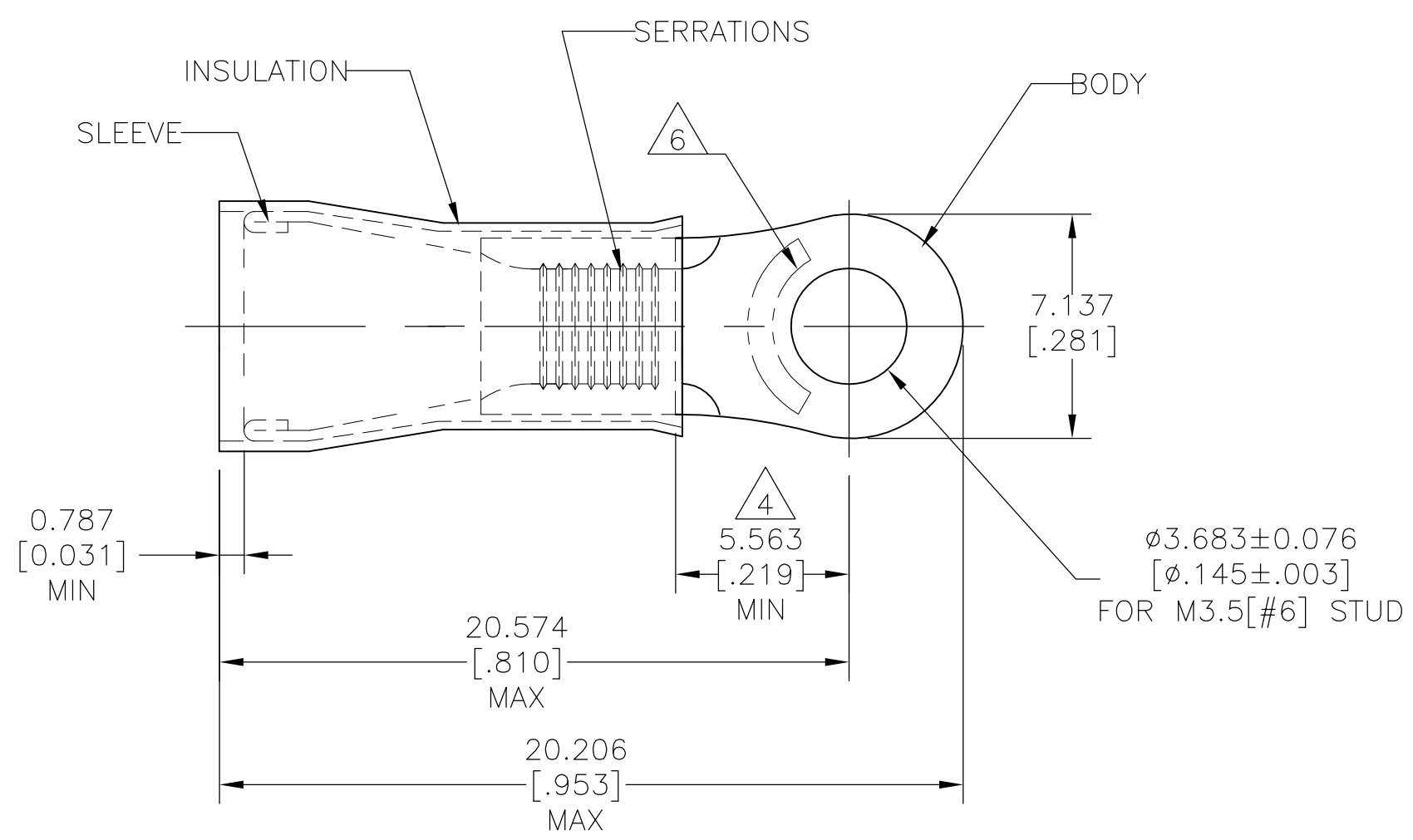


REVISIONS					
P	LTR	DESCRIPTION	DATE	DWN	APVD
E3		REVISED PER ECO-13-005147	27MAR13	KH	DR
E4		REVISED PER ECO-17-007400	23NO2017	RS	DR



- 1 WIRE INSUL  $\phi 3.810-5.842[\phi .150-.230]$
- 2 MATERIAL: BODY - CU PER ASTM B152  
SLEEVE - CU PER ASTM B152  
INSULATION - NYLON ASTM D4066, TYPE 1
- 3 FINISH: BODY & SLEEVE: TIN PER ASTM B-545  
INSULATION - COLOR: YELLOW
- 4 APPLIES FROM THE EDGE OF METAL BARREL TO THE CENTER OF THE STUD HOLE.
- 5 BODY MATERIAL THICKNESS:  $0.991 \pm 0.051[.039 \pm .002]$
- 6 STAMP AMP 12-10\* APPROX AS SHOWN.

<b>AMP</b> WIRE RANGE	Listed FILE E13288	LR7189 Certified
12-10 AWG SOLID OR STRANDED	12-10 AWG SOLID OR STRANDED	12-10 AWG SOLID OR STRANDED

2000	ON TAPE	2-320634-1
500	LOOSE PIECE	320634
QTY	PACKAGE TYPE	PART NO

MAX RECOMMENDED OPERATING TEMPERATURE: 105°C [221°F]	THIS DRAWING IS A CONTROLLED DOCUMENT.		DWN jr_ruth 12JUN09	TE Connectivity	
	VOLTAGE RATING: 300 V MAX	DIMENSIONS: mm [INCHES]	TOLERANCES UNLESS OTHERWISE SPECIFIED:		CHK TOM MICHIELUTTI 12JUN09
CIRCULAR MIL AREA: 2.62-6.64mm <sup>2</sup> [5,180-13,100] SOLID OR STRANDED		0 PLC ± -	1 PLC ± -		APVD TOM MICHIELUTTI 12JUN09
		2 PLC ± -	3 PLC ± 0.127[.005]		PRODUCT SPEC UL 486 A-B
	MATERIAL	4 PLC ± -	ANGLES ± 5°	FINISH	
				APPLICATION SPEC 114-2157	
				WEIGHT -	
				CUSTOMER DRAWING	
				SCALE 5:1	
				SHEET 1 OF 1	
				REV E4	

## X-ON Electronics

Largest Supplier of Electrical and Electronic Components

*Click to view similar products for [Terminals](#) category:*

*Click to view products by [TE Connectivity](#) manufacturer:*

Other Similar products are found below :

[00-054007-01074-6](#) [00-054007-70206-1](#) [00-054007-70210-8](#) [00-054007-70217-7](#) [00-054007-70226-9](#) [00-054007-70228-3](#) [00-054007-70248-1](#) [00-054007-70256-6](#) [00-054007-70301-3](#) [00-054007-70316-7](#) [0-0320562-0](#) [00-054007-49560-4](#) [00-054007-70209-2](#) [00-054007-70225-2](#) [00-054007-70227-6](#) [00-054007-70231-3](#) [00-054007-70241-2](#) [00-054007-70242-9](#) [00-054007-70244-3](#) [00-054007-70246-7](#) [00-054007-70263-4](#) [00-054007-70288-7](#) [00-054007-70290-0](#) [00-054007-70300-6](#) [00-054007-70304-4](#) [01-2065-1-0216](#) [01-2900-1-04412](#) [00581P0075](#) [600TS-10](#) [60205-1](#) [604200-1](#) [605601-1](#) [60598-1-CUT-TAPE](#) [61314-6-C](#) [61810-3](#) [61-S](#) [61-SN](#) [626-0194](#) [62-NBM-A](#) [62-SN](#) [62-SP](#) [63-S](#) [640179-1](#) [M55155/059I03](#) [M55155/079C01](#) [M55155/099H02](#) [M55155/109H01](#) [M55155/109H02](#) [M55155/12XH05](#) [M55155/16XH02](#)