

4

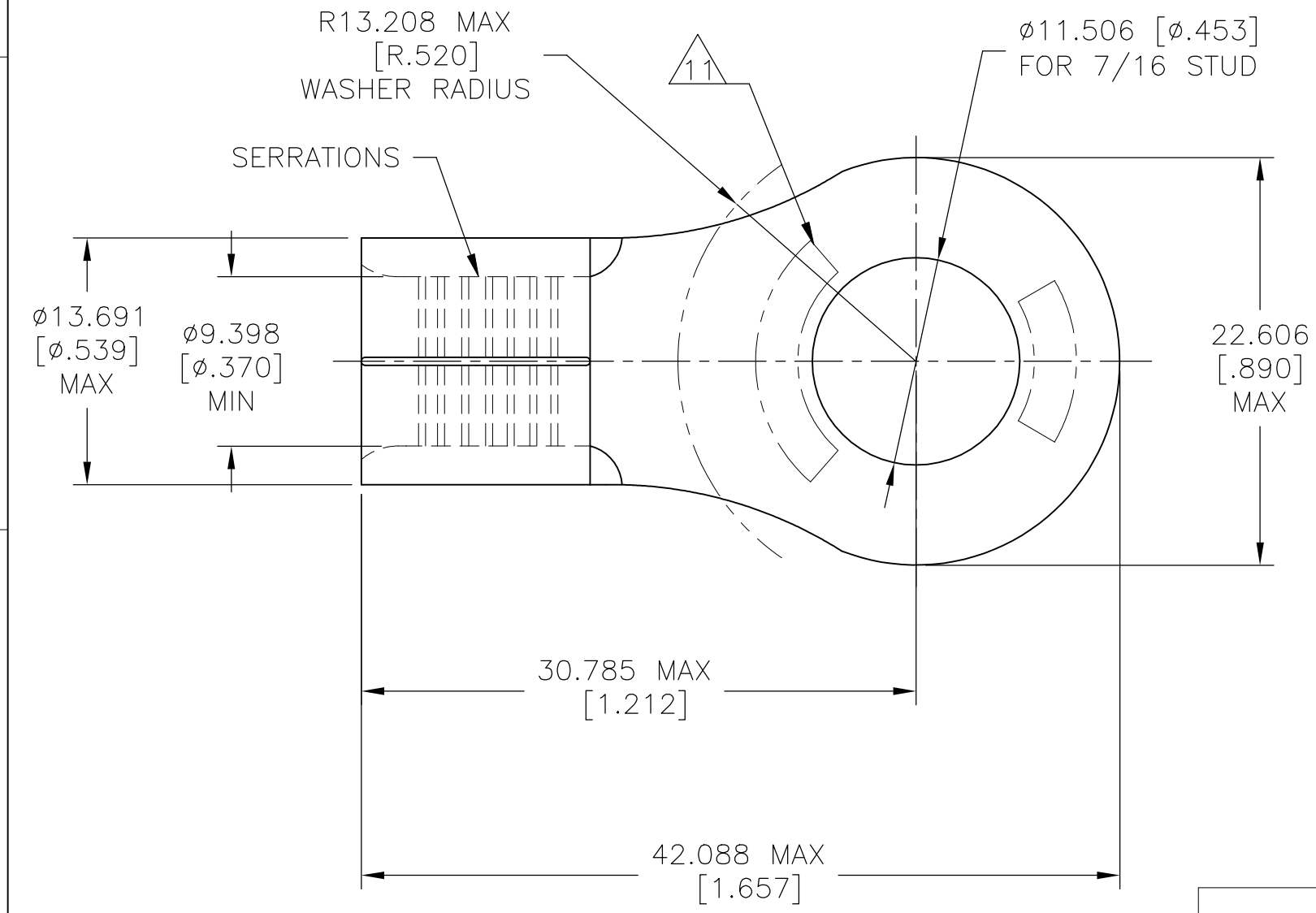
3

2

1

THIS DRAWING IS UNPUBLISHED. RELEASED FOR PUBLICATION
 © COPYRIGHT - By - ALL RIGHTS RESERVED.

REVISIONS					
P	LTR	DESCRIPTION	DATE	DWN	APVD
	C1	REVISED PER ECO-15-006978	06JUN2015	NK	MM
	C2	REVISED PER ECO-17-008806	20FEB2018	RS	DR



- 1 BODY MATERIAL THICKNESS IS 1.778±0.050[.070±.002].
- 2 COPPER PER ASTM B152, ANNEALED.
- 3 TIN PLATE 0.00254[.000100] MIN EXT THK PER ASTM B545.
- 4 NOTE DELETED
- 5 MEETS MS20659-148, CLASS 2
- 6 NICKEL PLATE 0.00762[0.000300] MIN EXT THK PER QQ-N-290.
- 7 26.7-42.4 sq-mm [52,600-83,700] CIR MILS, SOLID OR STRANDED.
- 8 UL LISTED, FILE E13288.
- 9 CSA CERTIFIED, FILE LR7189.
- 10 PRELIMINARY - NOT FOR PRODUCTION.
- 11 STAMP AMP 2W* 60-75 APPROX AS SHOWN
- 12 UL 486 A-B OR SAE AS 7928

-	343°C MAX	50	LOOSE PIECE	6	320741-1
5 8 9	170°C MAX	50	LOOSE PIECE	3	320741
APPROVALS	TEMPERATURE	QTY	PACKAGING TYPE	FINISH	PART NO

THIS DRAWING IS A CONTROLLED DOCUMENT.		DWN jr ruth 030CT03	STE TE Connectivity Ltd.		
DIMENSIONS: mm [INCHES]		CHK MJ SPICER 030CT03			
TOLERANCES UNLESS OTHERWISE SPECIFIED:		APVD MJ SPICER 030CT03	NAME TERMINAL, SOLISTRAND, RING TONGUE, WIRE SIZE : 2 AWG		
0 PLC ± - 1 PLC ± - 2 PLC ± - 3 PLC ± 0.127[.005] 4 PLC ± - ANGLES ± 5°		PRODUCT SPEC 12			
MATERIAL 2	FINISH SEE TABLE	APPLICATION SPEC -	SIZE A3	CAGE CODE 00779	DRAWING NO C-320741
CUSTOMER DRAWING			RESTRICTED TO -	SCALE 3:1	SHEET 1 OF 1
			REV C2		

X-ON Electronics

Largest Supplier of Electrical and Electronic Components

Click to view similar products for [Terminals](#) category:

Click to view products by [TE Connectivity](#) manufacturer:

Other Similar products are found below :

[00-054007-01074-6](#) [00-054007-70206-1](#) [00-054007-70210-8](#) [00-054007-70217-7](#) [00-054007-70226-9](#) [00-054007-70228-3](#) [00-054007-70248-1](#) [00-054007-70256-6](#) [00-054007-70301-3](#) [00-054007-70316-7](#) [00-054007-49560-4](#) [00-054007-70209-2](#) [00-054007-70225-2](#) [00-054007-70227-6](#) [00-054007-70231-3](#) [00-054007-70241-2](#) [00-054007-70242-9](#) [00-054007-70244-3](#) [00-054007-70246-7](#) [00-054007-70263-4](#) [00-054007-70288-7](#) [00-054007-70290-0](#) [00-054007-70300-6](#) [00-054007-70304-4](#) [01-2065-1-0216](#) [01-2900-1-04412](#) [00581P0075](#) [600TS-10](#) [60205-1](#) [604200-1](#) [605601-1](#) [60598-1-CUT-TAPE](#) [61314-6-C](#) [61810-3](#) [61-S](#) [61-SN](#) [626-0194](#) [62-NBM-A](#) [62-SN](#) [62-SP](#) [63-S](#) [640179-1](#) [M55155/059I03](#) [M55155/079C01](#) [M55155/099H02](#) [M55155/109H01](#) [M55155/109H02](#) [M55155/12XH05](#) [M55155/16XH02](#) [M55155/29-5S](#)