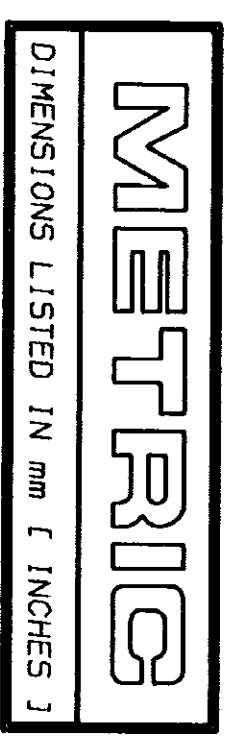
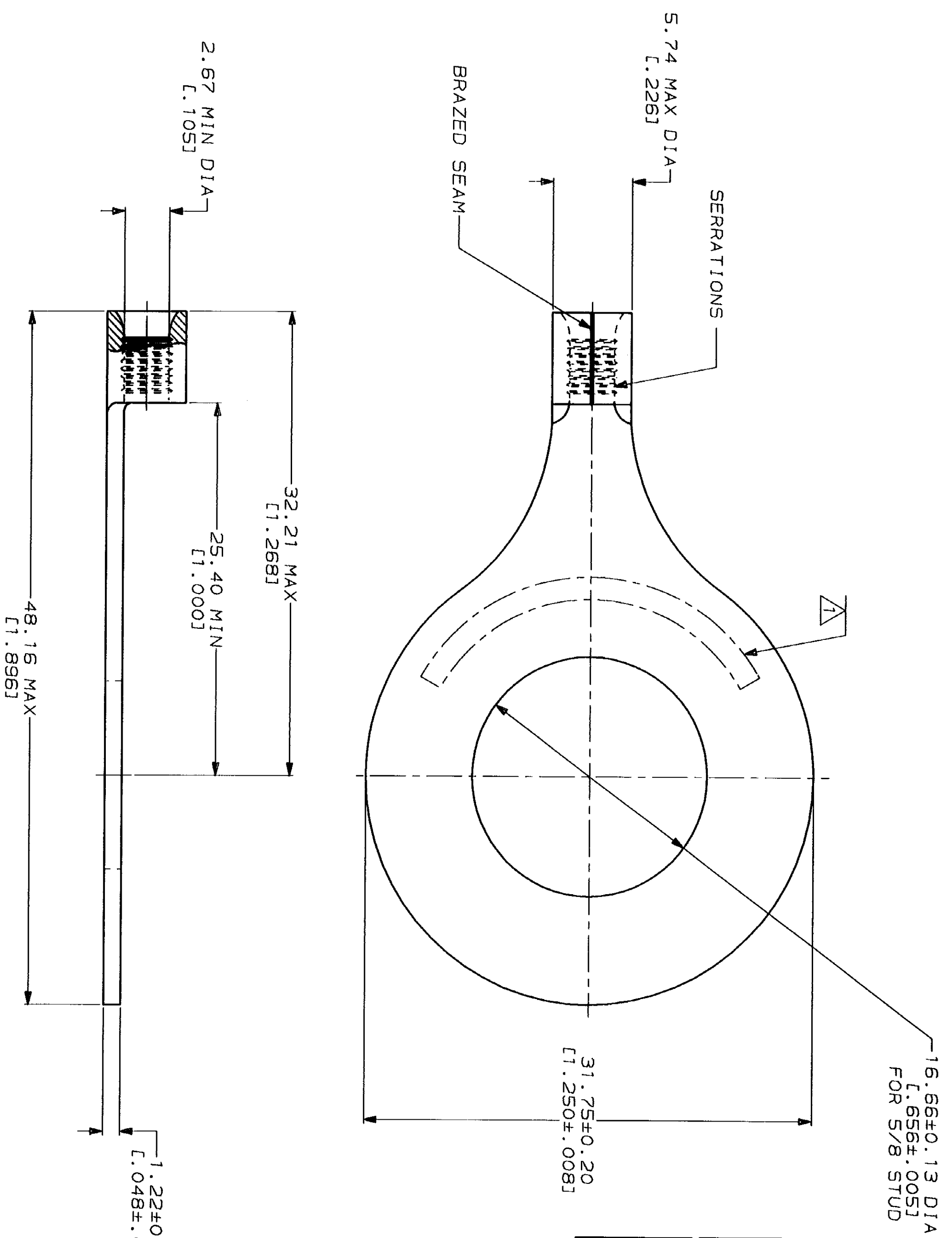


LOC	DIST	REV	DESCRIPTION	DATE	APPD
G	14	P	REV & REDRAWN PER 0720-0040-93	3-17-93	18 DAP



AMP WIRE RANGE	UL E13288 Listed
16-14HD AWG SOLID OR STRANDED	16-14HD AWG STRANDED
LR7189 Certified	MILITARY P/N AND CLASS
16-14HD AWG SOLID OR STRANDED	NOT APPLICABLE

△ STAMP AMP 16-14HD* APPROX AS SHOWN



AMP INCORPORATED CUSTOMER SERVICE SYSTEMS		MAX RECOMMENDED OPERATING TEMPERATURE: 170°C MAX
FOR ADDITIONAL PRODUCT INFORMATION OR COPIES OF DRAWINGS AND TECHNICAL DOCUMENTS	PRODUCT INFORMATION CENTER 1-800-522-6752	VOLTAGE RATING: NOT APPLICABLE
FOR APPLICATION TOOLING INFORMATION	TOOLING ASSISTANCE CENTER 1-800-722-1111	WIRE CROSS SECTIONAL AREA RANGE: 1.04-2.62mm² [2,050-5,180] CIR MILS SOLID OR STRANDED
FOR ORDER ENTRY	1-800-526-5142	FINISH: TIN PLATE 0.00254 [0.00100] MIN THK PER MIL-T-10727

DO NOT SCALE PRINT. UNLESS SPECIFIED DIMENSIONS IN INCHES - TOLERANCES ON: 1. PLG DEC ± .005 2. PLG DEC ± .005 3. PLG DEC ± .005 ANGLES	DR 3-17-93 TA BRINKMAN CHK 3-17-93 DA PATTERSON APPD 3-17-93 DE MILLER APPD 3-17-93 JL MECKLEY PRODUCT SPEC
---	---

AMP 1471-B REV 3-92	320758	PART NO
AMP Incorporated Harrisburg, PA 17105-3608		
TERMINAL, RING TONGUE, HEAVY DUTY, SOLISTRAND™		
SIZE	CAGE CODE	DRAWING NO
SCALE	4:1	00779
		320758
		1 OF 1

X-ON Electronics

Largest Supplier of Electrical and Electronic Components

Click to view similar products for [Terminals](#) category:

Click to view products by [TE Connectivity](#) manufacturer:

Other Similar products are found below :

[00-054007-01074-6](#) [00-054007-70206-1](#) [00-054007-70210-8](#) [00-054007-70217-7](#) [00-054007-70226-9](#) [00-054007-70228-3](#) [00-054007-70248-1](#) [00-054007-70256-6](#) [00-054007-70301-3](#) [00-054007-70316-7](#) [0-0320562-0](#) [00-054007-49560-4](#) [00-054007-70209-2](#) [00-054007-70225-2](#) [00-054007-70227-6](#) [00-054007-70231-3](#) [00-054007-70241-2](#) [00-054007-70242-9](#) [00-054007-70244-3](#) [00-054007-70246-7](#) [00-054007-70263-4](#) [00-054007-70288-7](#) [00-054007-70290-0](#) [00-054007-70300-6](#) [00-054007-70304-4](#) [01-2065-1-0216](#) [01-2900-1-04412](#) [00581P0075](#) [600TS-10](#) [60205-1](#) [604200-1](#) [605601-1](#) [60598-1-CUT-TAPE](#) [61314-6-C](#) [61810-3](#) [61-S](#) [61-SN](#) [626-0194](#) [62-NBM-A](#) [62-SN](#) [62-SP](#) [63-S](#) [640179-1](#) [M55155/059I03](#) [M55155/079C01](#) [M55155/099H02](#) [M55155/109H01](#) [M55155/109H02](#) [M55155/12XH05](#) [M55155/16XH02](#)