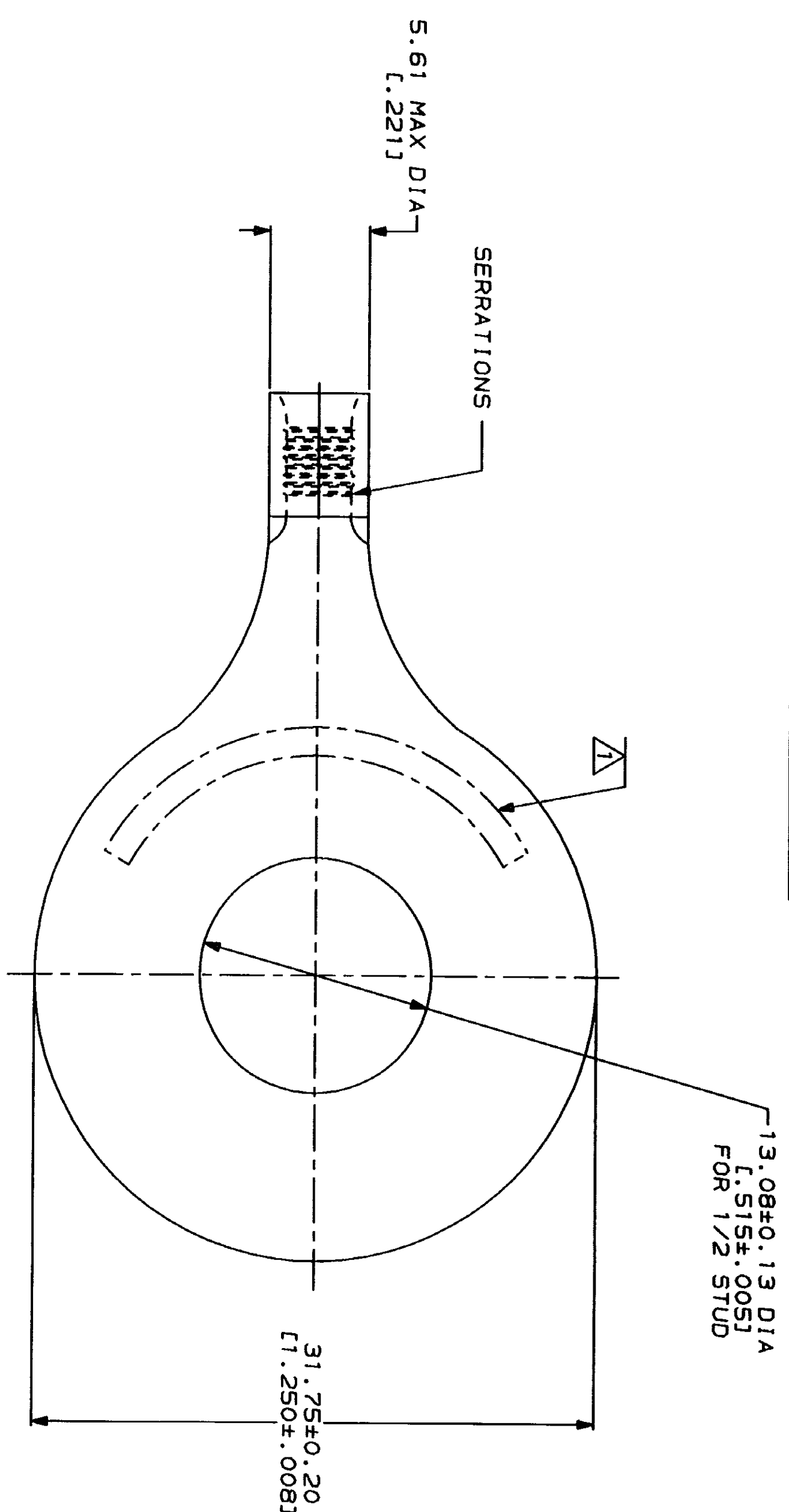


DRAWING MADE IN THIRD ANGLE PROJECTION
 THIS DRAWING IS UNPUBLISHED.
 COPYRIGHT 1993 BY AMP INCORPORATED. ALL INTERNATIONAL RIGHTS RESERVED.

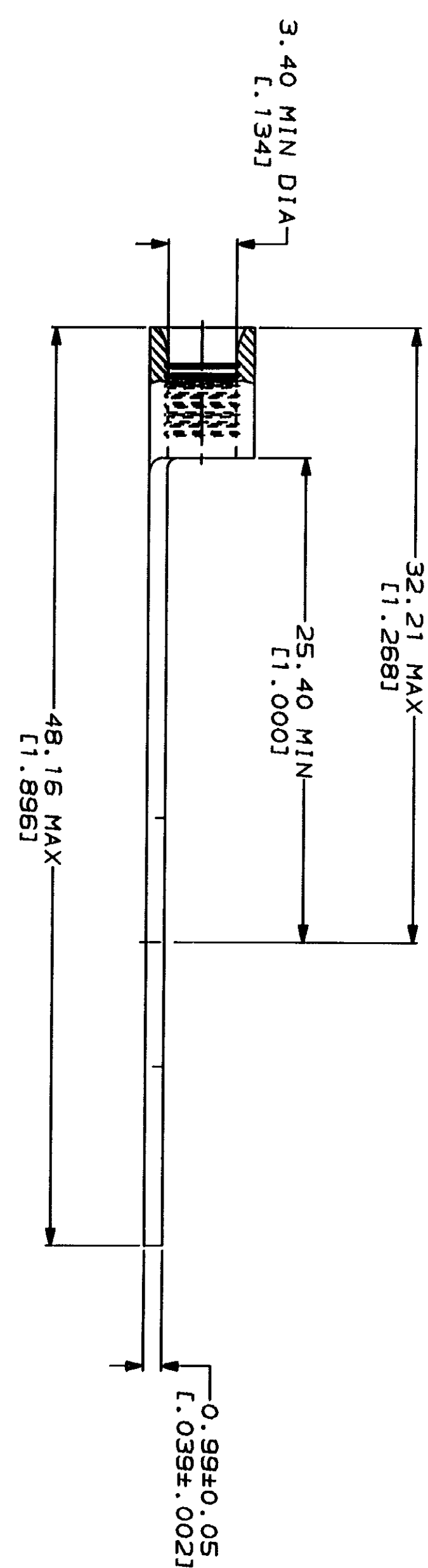
LOC	DIST	REV	ZONE	LTR	DESCRIPTION	DATE	APPD
G	14				REVISED PER 0720-0230-93	2/28/94	DAE

METRIQ
 DIMENSIONS LISTED IN MM [INCHES]



AMP	WIRE RANGE	UL E13288 Listed
	12-10 AWG STRANDED	12-10 AWG STRANDED
LR7189	Certified	MILITARY P/N AND CLASS
NOT CERTIFIED		NOT APPLICABLE

STAMP AMP 12-10* APPROX AS SHOWN



AMP INCORPORATED
 CUSTOMER SERVICE SYSTEMS

MAX RECOMMENDED OPERATING TEMPERATURE: 170°C MAX

VOLTAGE RATING: NOT APPLICABLE

DO NOT SCALE PRINT. UNLESS SPECIFIED DIMENSIONS IN INCHES TOLERANCES ON: 2 PLC DEC # - 3 PLC DEC # - ANGLES # - MATERIAL COPPER PER ASTM B-152 ANNEALED

DR 2-9-93 TA BRINKMAN
 CHK 2-9-93 DA PATTERSON
 APPD 2-9-93 DE MILLER
 APPD 2-9-93 JL HECKLEY

FINISH TIN PLATE
 0.0025±0.0001001 MIN THK PER MIL-T-10727

AMP AMP Incorporated
 Horrisburg, PA 17105-3608

TERMINAL, RING TONGUE, BUDGET

FOR ADDITIONAL PRODUCT INFORMATION OR COPIES OF DRAWINGS AND TECHNICAL DOCUMENTS
 1-800-522-6752

FOR APPLICATION TOOLING INFORMATION
 1-800-722-1111

FOR ORDER ENTRY
 1-800-526-5142

WIRE CROSS SECTIONAL AREA RANGE: 2.62-6.64mm² [5.180-13.100] CIR MILS STRANDED

APPLICATOR SPEC

SIZE CAGE CODE 00779 DRAWING NO 320760
 SCALE 4:1 SHEET 1 OF 1

X-ON Electronics

Largest Supplier of Electrical and Electronic Components

Click to view similar products for [Terminals](#) category:

Click to view products by [TE Connectivity](#) manufacturer:

Other Similar products are found below :

[00-054007-01074-6](#) [00-054007-70206-1](#) [00-054007-70210-8](#) [00-054007-70217-7](#) [00-054007-70226-9](#) [00-054007-70228-3](#) [00-054007-70248-1](#) [00-054007-70256-6](#) [00-054007-70301-3](#) [00-054007-70316-7](#) [0-0320562-0](#) [00-054007-49560-4](#) [00-054007-70209-2](#) [00-054007-70225-2](#) [00-054007-70227-6](#) [00-054007-70231-3](#) [00-054007-70241-2](#) [00-054007-70242-9](#) [00-054007-70244-3](#) [00-054007-70246-7](#) [00-054007-70263-4](#) [00-054007-70288-7](#) [00-054007-70290-0](#) [00-054007-70300-6](#) [00-054007-70304-4](#) [01-2065-1-0216](#) [01-2900-1-04412](#) [00581P0075](#) [600TS-10](#) [60205-1](#) [604200-1](#) [605601-1](#) [60598-1-CUT-TAPE](#) [61314-6-C](#) [61810-3](#) [61-S](#) [61-SN](#) [626-0194](#) [62-NBM-A](#) [62-SN](#) [62-SP](#) [63-S](#) [640179-1](#) [M55155/059I03](#) [M55155/079C01](#) [M55155/099H02](#) [M55155/109H01](#) [M55155/109H02](#) [M55155/12XH05](#) [M55155/16XH02](#)