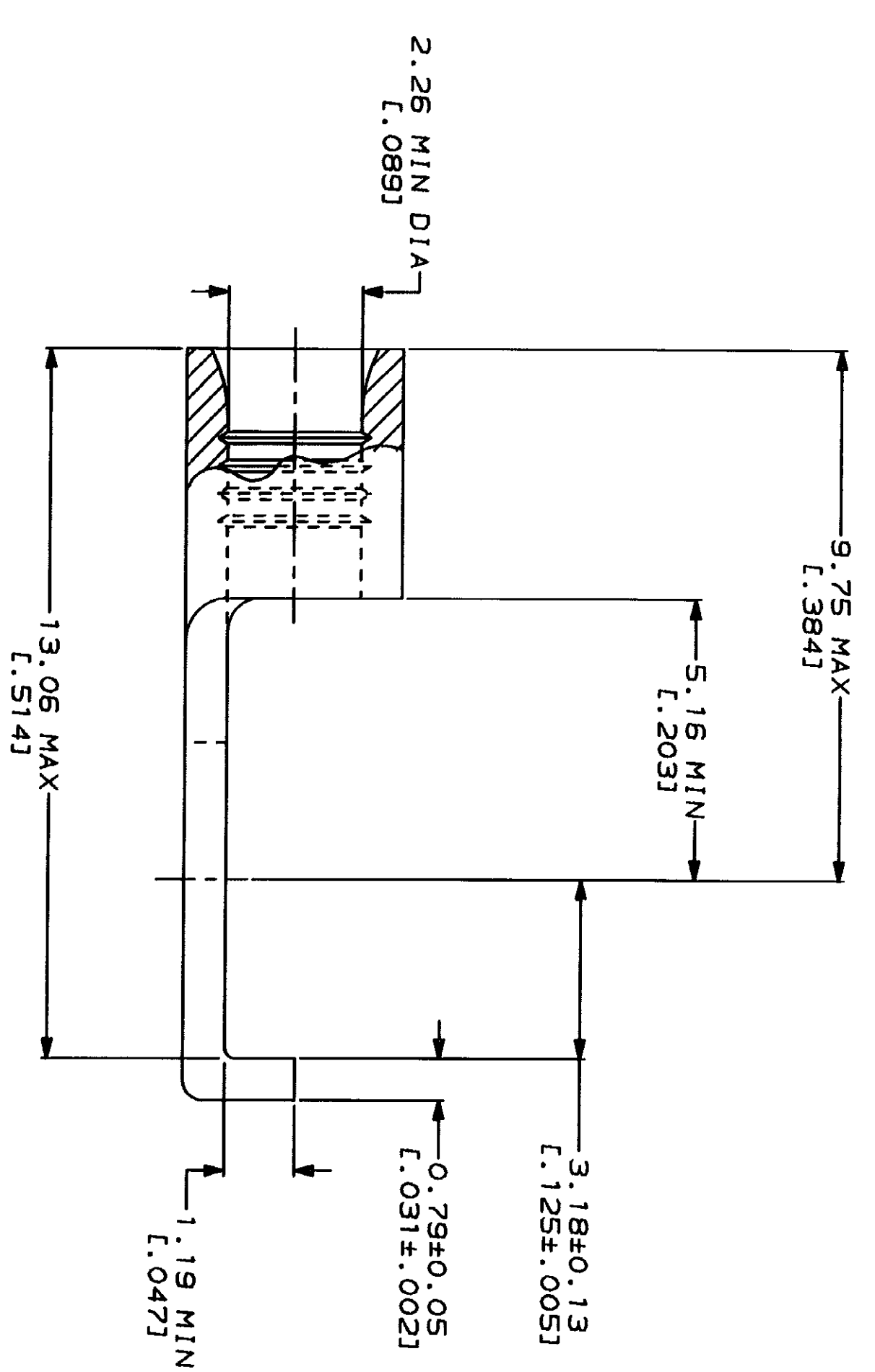
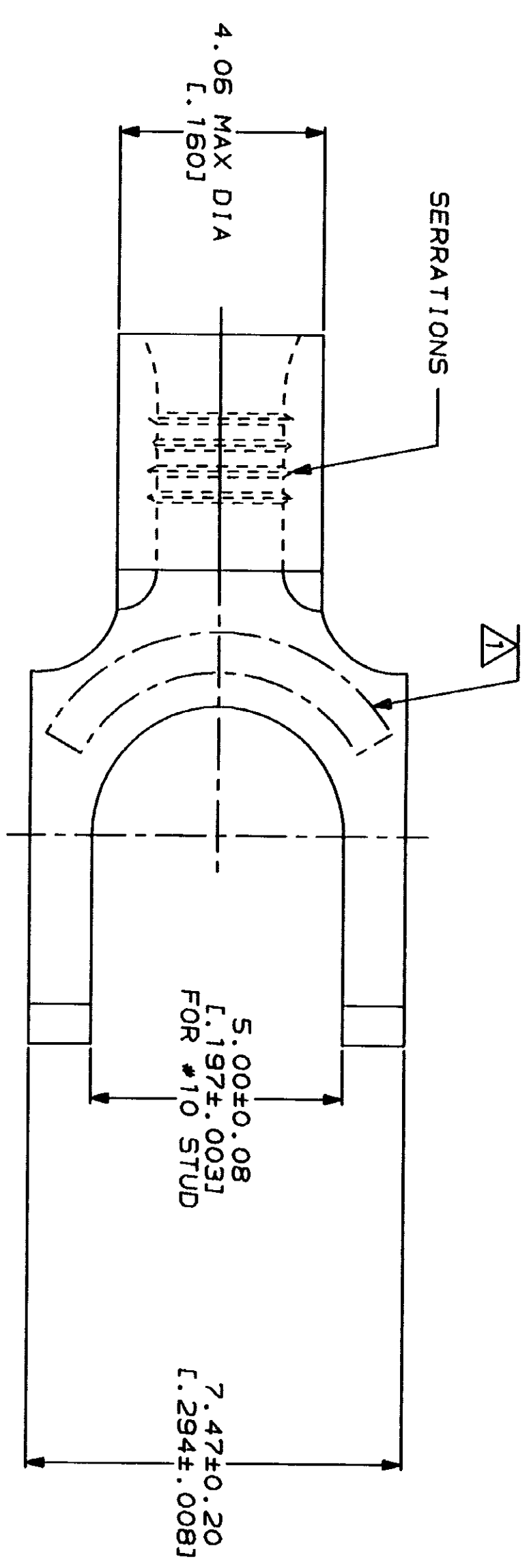


LOC	DIST	ZONE	LTR	REVISIONS	DESCRIPTION	DATE	APPD
G	14			A	REVISED PER 0720-0230-93	2/28/94	DAF

METRIC
DIMENSIONS LISTED IN MM [INCHES]



AMP WIRE RANGE 16-14 AWG STRANDED	UL E13288 Listed
LR7189 Certified	MILITARY P/N AND CLASS
NOT CERTIFIED	NOT APPLICABLE

△ STAMP AMP 16-14* APPROX AS SHOWN

AMP INCORPORATED
CUSTOMER SERVICE SYSTEMS

FOR ADDITIONAL
PRODUCT INFORMATION OR
COPIES OF DRAWINGS
AND TECHNICAL DOCUMENTS
1-800-522-6752

FOR APPLICATION
TOOLING INFORMATION
1-800-722-1111

FOR ORDER ENTRY
1-800-526-5142

MAX RECOMMENDED OPERATING
TEMPERATURE:
170°C MAX

VOLTAGE RATING:
NOT APPLICABLE

WIRE CROSS SECTIONAL AREA RANGE:
1.04-2.62mm² [2,050-5,180] CIR MILS
STRANDED

DO NOT SCALE PRINT.
UNLESS SPECIFIED
DIMENSIONS IN mm [INCHES]
TOLERANCES ON:
1 PLG DEC ± .05
2 PLG DEC ± .02
3 PLG DEC ± .01
ANGLES
PATTERNAL

COPPER PER
ASTM B-152
ANNEALED

FINISH
TIN PLATE
0.00254 [L.000100] MIN
THK PER MIL-T-10727

DR 3-3-93
TA BRINKMAN

CHK 3-3-93
DA PATTERSON

APPD 3-3-93
DE MILLER

APPD 3-3-93
JL NECKLEY

PRODUCT SPEC

AMP
AMP Incorporated
Horshurstburg, PA 17105-3608

TERMINAL, FLANGED
SPADE, BUDGET

SIZE CAGE CODE DRAWING NO
SCALE 10:1 00779 320854

WEIGHT APPLICATION SPEC SHEET 1 OF 1

X-ON Electronics

Largest Supplier of Electrical and Electronic Components

Click to view similar products for [Terminals](#) category:

Click to view products by [TE Connectivity](#) manufacturer:

Other Similar products are found below :

[00-054007-01074-6](#) [00-054007-70206-1](#) [00-054007-70210-8](#) [00-054007-70217-7](#) [00-054007-70226-9](#) [00-054007-70228-3](#) [00-054007-70248-1](#) [00-054007-70256-6](#) [00-054007-70301-3](#) [00-054007-70316-7](#) [00-054007-49560-4](#) [00-054007-70209-2](#) [00-054007-70225-2](#) [00-054007-70227-6](#) [00-054007-70231-3](#) [00-054007-70241-2](#) [00-054007-70242-9](#) [00-054007-70244-3](#) [00-054007-70246-7](#) [00-054007-70263-4](#) [00-054007-70288-7](#) [00-054007-70290-0](#) [00-054007-70300-6](#) [00-054007-70304-4](#) [01-2065-1-0216](#) [01-2900-1-04412](#) [00581P0075](#) [600TS-10](#) [60205-1](#) [604200-1](#) [605601-1](#) [60598-1-CUT-TAPE](#) [61314-6-C](#) [61810-3](#) [61-S](#) [61-SN](#) [626-0194](#) [62-NBM-A](#) [62-SN](#) [62-SP](#) [63-S](#) [640179-1](#) [M55155/059I03](#) [M55155/079C01](#) [M55155/099H02](#) [M55155/109H01](#) [M55155/109H02](#) [M55155/12XH05](#) [M55155/16XH02](#) [M55155/29-5S](#)