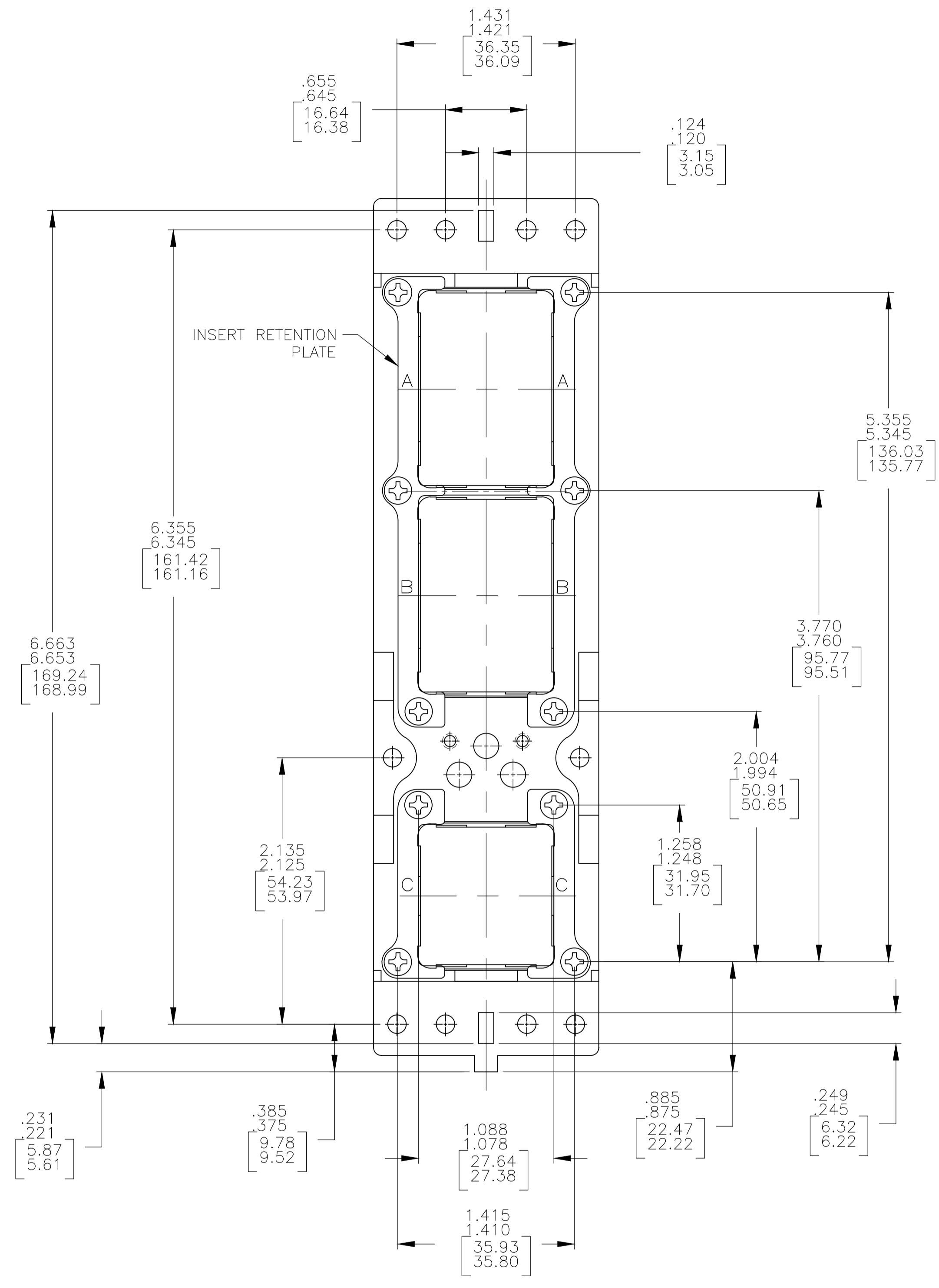
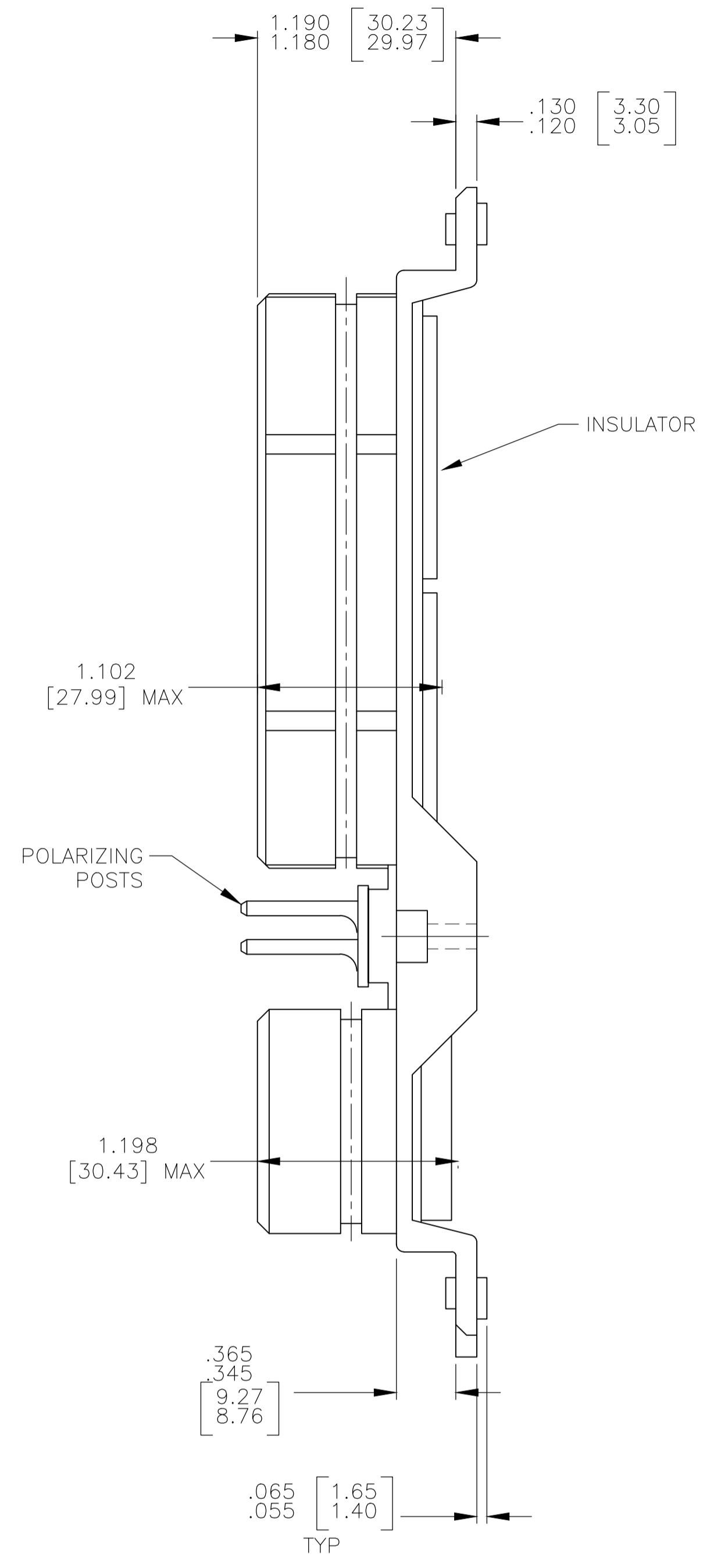
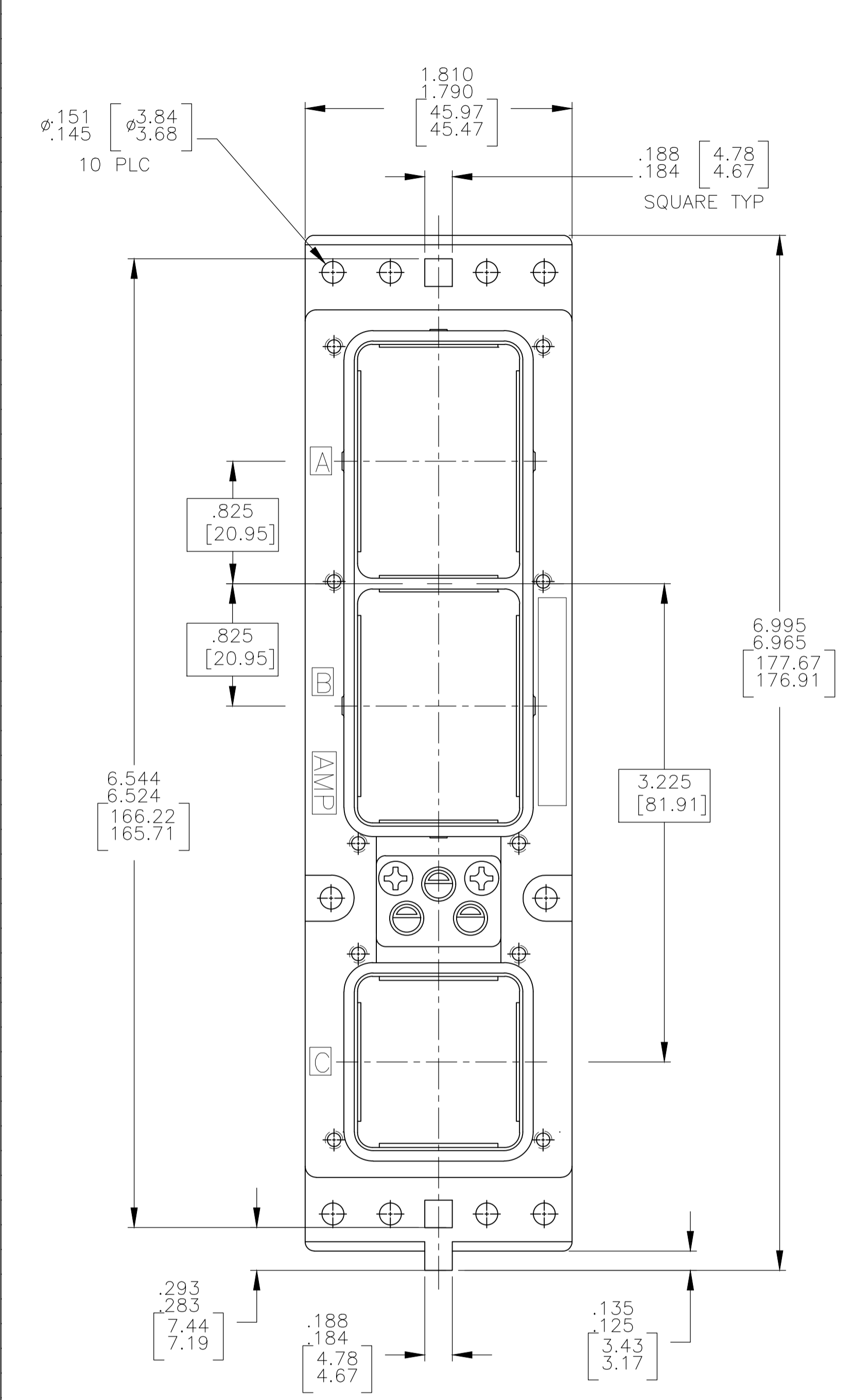


REVISIONS					
P	LTR	DESCRIPTION	DATE	DMN	APVD
AH	REVISED PER ECO-17-018523		19JAN2018	PHM	CT



NIC66H26A02AA0	7	4-208972-1
NIC66H20A08AA1	9	4-208972-0
NIC66H52A03AA0	9	3-208972-9
NIC66H21A06AA0	7	3-208972-8
NIC66H21A03AA0	7	3-208972-7
NIC66H20A00AA0	7	3-208972-6
NIC66H26A00AA1	9	3-208972-5
-	-	3-208972-4
NIC66H23A00CB1	7	3-208972-3
NIC66HN20A00AA0	8	3-208972-2
NIC66H52A00AA0	9	3-208972-1
NIC66H54A01AA1	7	2-208972-0
NIC66H20A AA0	7	2-208972-9
-	-	2-208972-8
-	-	2-208972-7
-	-	2-208972-6
NIC66H53A01AA0	7	2-208972-5
NIC66H51A00AA0	7	2-208972-4
NIC66H23A02AA0	7	2-208972-3
NIC66H26A01SA1	7	2-208972-2
NIC66H23A05AA0	7	2-208972-1
NIC66H22A13AA0	7	2-208972-0
-	-	1-208972-9
NIC66H23A01CB1	9	1-208972-8
-	-	1-208972-7
NIC66H21A00AA0	9	1-208972-6
NIC66H26A01AA0	7	1-208972-5
NIC66H21A02AA0	7	1-208972-4
NIC66H26A01AA1	7	1-208972-3
NIC66H21A02AA1	7	1-208972-2
NIC66H21A14AA0	7	1-208972-1
NIC66H25A01AA1	7	1-208972-0
NIC66H25A01AA0	7	208972-9
NIC66H22A01AA1	7	208972-8
NIC66H23A01AA1	7	208972-7
-	-	208972-6
NIC66H23A01AA0	7	208972-5
-	-	208972-4
-	-	208972-3
NIC66H21A01AA1	9	208972-2
NIC66H21A01AA0	9	208972-1

- CONNECTOR DIMENSIONS ARE PER ARINC 600 SPECIFICATION
- KEYING SHOWN IN POSITION "01" FOR REFERENCE ONLY. CONNECTOR SHIPPED WITH KEYING PER ORDERING INSTRUCTIONS. FOR POSITION "00" KEYING SHIPPED UNASSEMBLED.
- FOR SHIPMENT CONTACTS (IF ORDERED) ARE INCLUDED IN A CONTAINER WITHIN THE CONNECTOR PACKAGE. COAX CONTACTS ARE NOT SUPPLIED AND MUST BE ORDERED SEPARATELY.
- SPECIAL WITH INSERTS 150/71C1/34 STANDARD MOUNTING. ALL CONTACTS ORDERED SEPARATELY. KEYED TO POSITION 01
- PRELIMINARY PART NUMBER, NOT RELEASED FOR PRODUCTION
- SEE SHEET 2 FOR INSERT ARRANGEMENTS
- CHEMICAL CONVERSION COATING PER MIL-C-5541, CLASS 1A
- ELECTROLESS NICKEL PER MIL-C-26074, CLASS 3 OR 4, GRADE B
- CHROMATE CONVERSION PER MIL-C-5541, CLASS 3, TYPE II.

COMPONENT	MATERIAL	FINISH
SHELL	DIE CAST ALUMINUM PER ASTM-B-85	7 8 9 SEE PART NUMBER TABLE
RETENTION PLATES	ALUMINUM ALLOY PER ASTM-B-209	7 8 9 SEE PART NUMBER TABLE
SCREWS AND LOCKWASHERS	STEEL OR STAINLESS STEEL	STAINLESS STEEL OR PASSIVATED
POLARIZING POSTS	ZINC ALLOY PER ASTM-B-86	ELECTROLESS NICKEL PER MIL-C-26074 CLASS 4, GRADE B
INSERTS	THERMOSET	-
FILLER PLUG	TEFLON	-
POLARIZING POST RETAINING PLATE	ALUMINUM ALLOY PER ASTM-B-209	BLUE ANODIZED PER MIL-A-8625

THIS DRAWING IS A CONTROLLED DOCUMENT.

DIMENSIONS: INCHES

TOLERANCES UNLESS OTHERWISE SPECIFIED:

0 PLC	± .005
1 PLC	± .004
2 PLC	± .003
3 PLC	± .002
4 PLC	± .001
ANGLES	± .001

MATERIAL SEE TABLE FINISH SEE TABLE

DIN C.C.THOMAS 11-27-95
CIRK 4-11-96
R GROSS 4-11-96
R GROSS 4-11-96

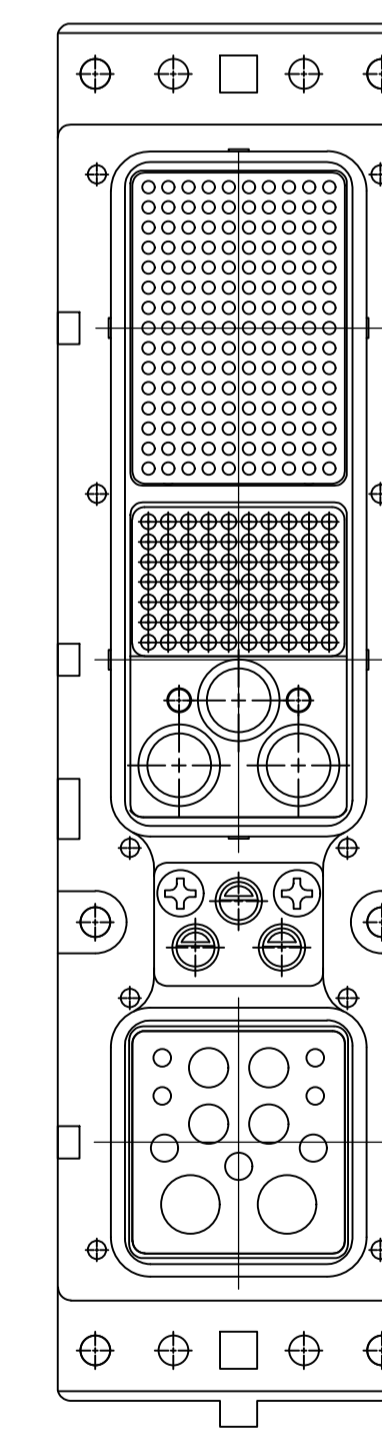
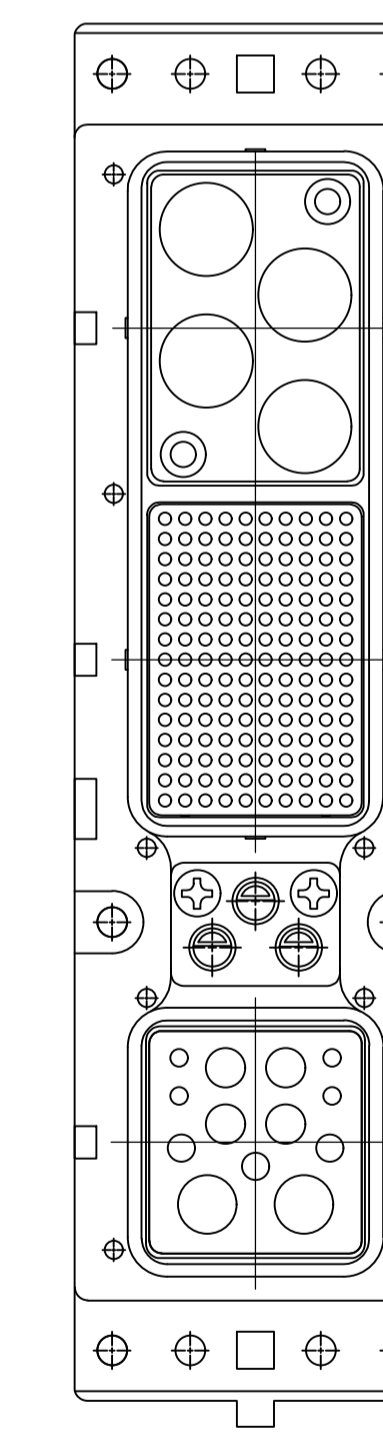
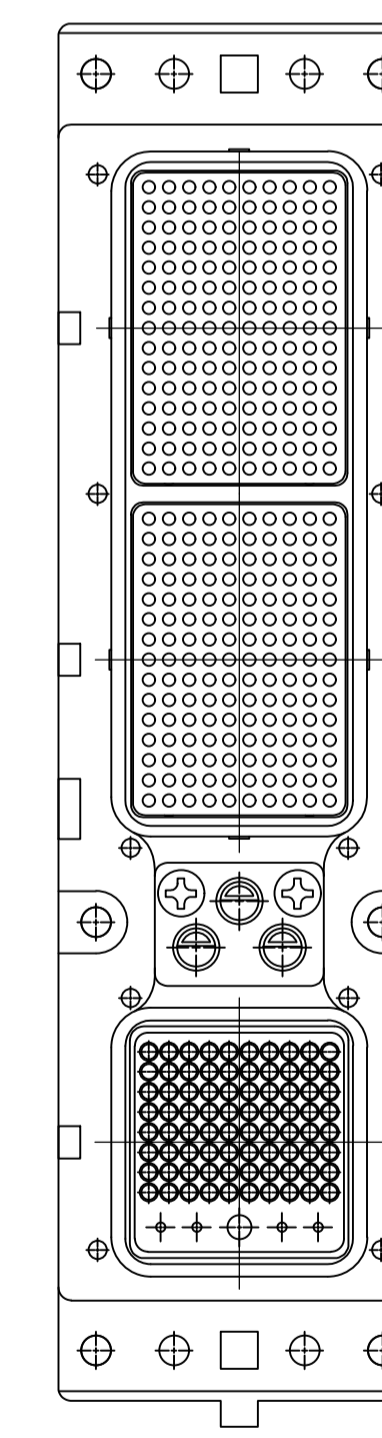
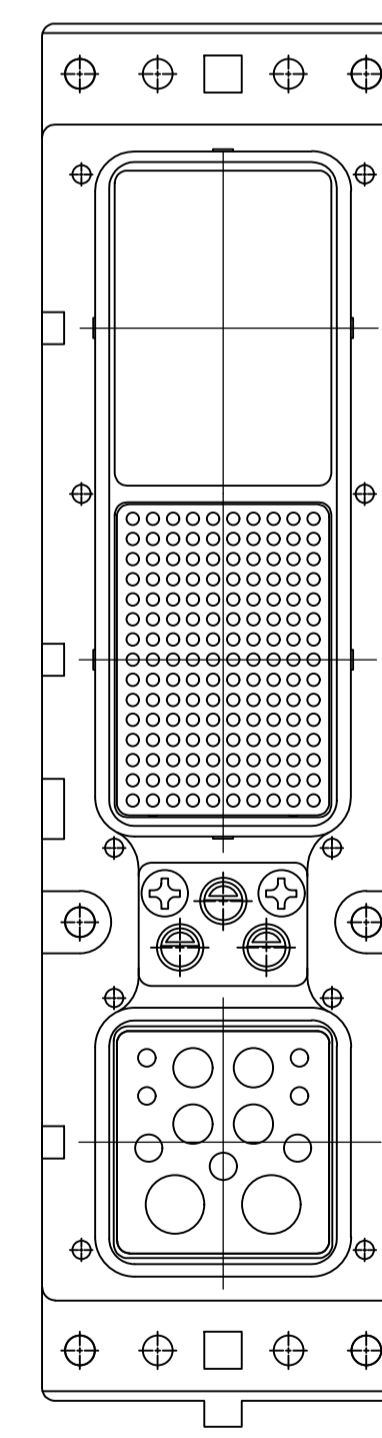
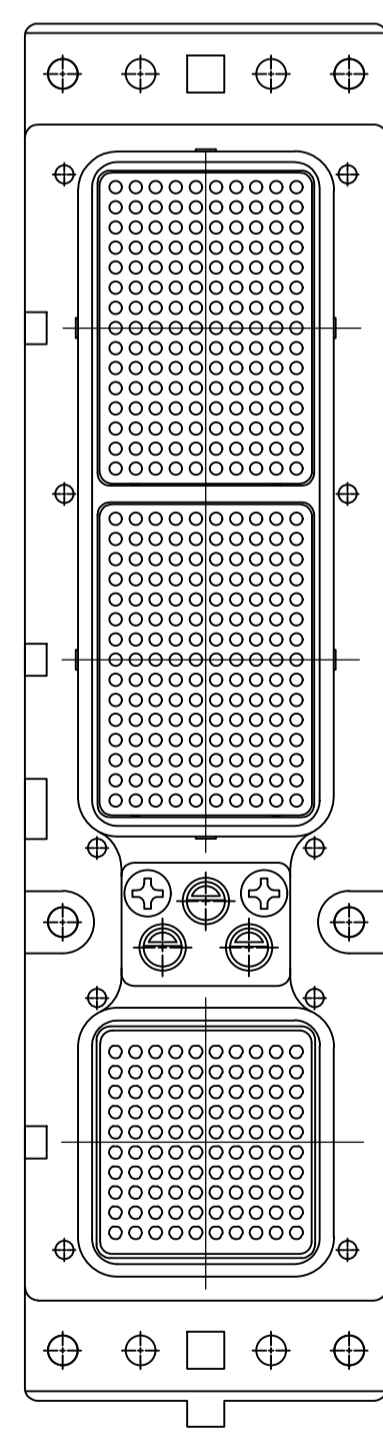
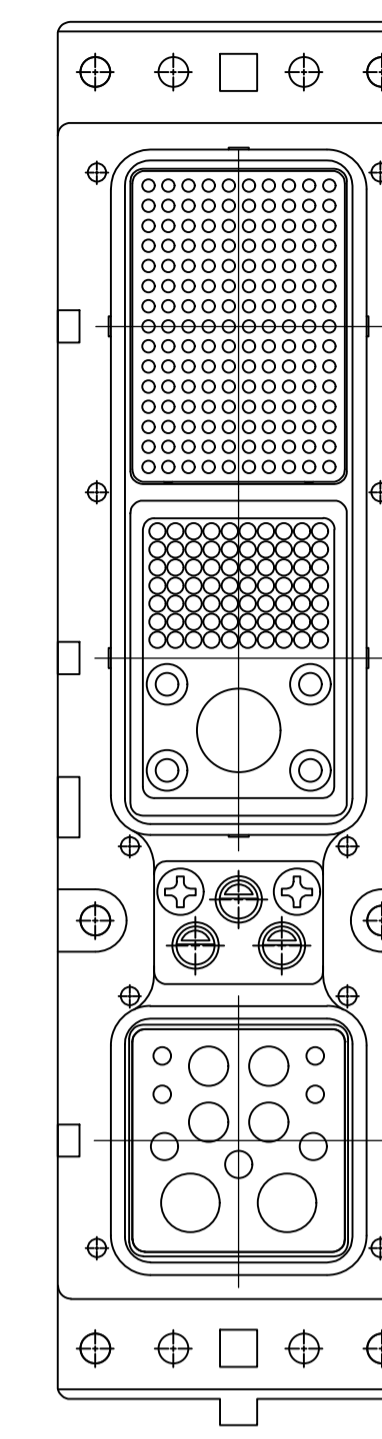
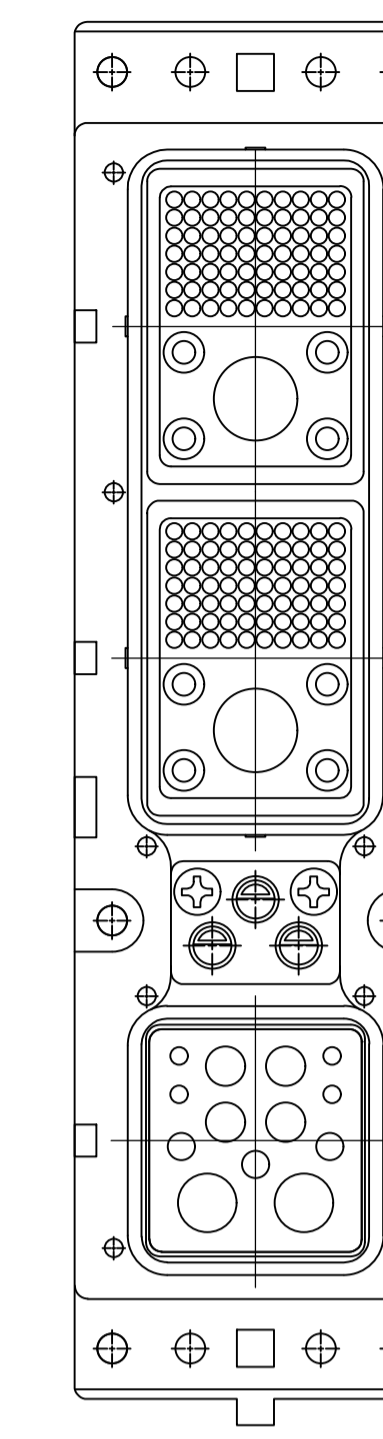
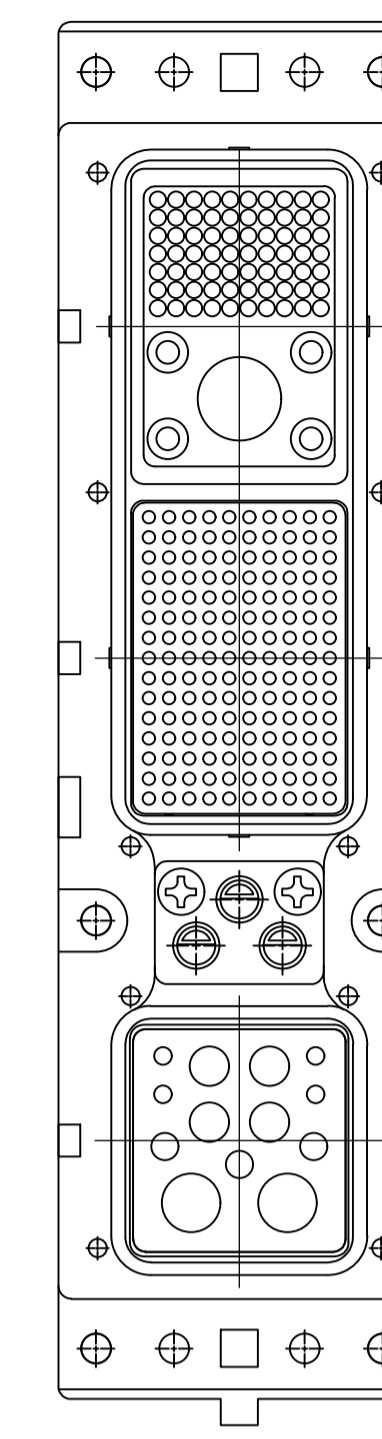
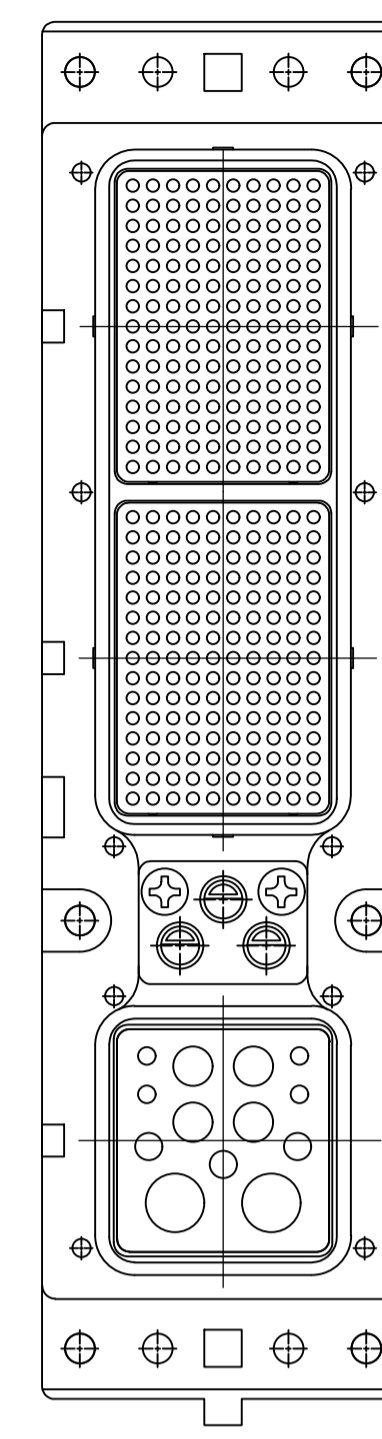
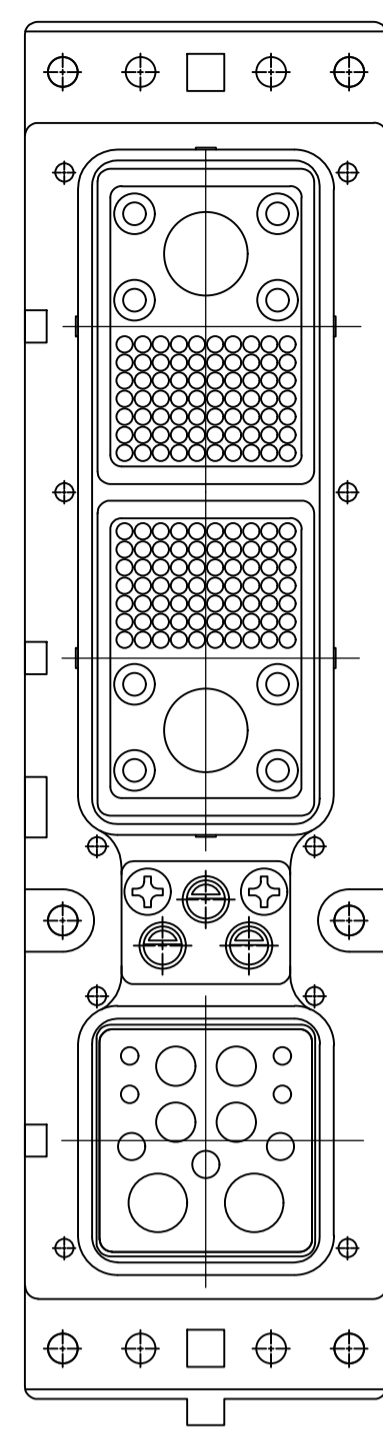
NAME: CONNECTOR ASSY, SIZE 2, CLASS A, PLUG/ARINC 600

SIZE: A1 CAGE CODE: 00779 DRAWING NO: 208972

WEIGHT: RESTRICTED TO: CUSTOMER DRAWING SCALE: 1:1 SHEET 1 OF 2 REV: AH

THIS DRAWING IS UNPUBLISHED. RELEASED FOR PUBLICATION
 COPYRIGHT - By - ALL RIGHTS RESERVED.

REVISIONS				
REV	DATE	DESCRIPTION	BY	APP'D
1	4-11-96	SEE SHEET 1		



THIS DRAWING IS A CONTROLLED DOCUMENT.		DWN C. THOMAS	11-27-95	TE Connectivity Ltd.
DIMENSIONS: INCHES		CHK R. GROSS	4-11-96	
TOLERANCES UNLESS OTHERWISE SPECIFIED:		APP'D R. GROSS	4-11-96	NAME
0. PLC	± -	PRODUCT SPEC		
1. PLC	± -	APPLICATION SPEC		
2. PLC	± -	WEIGHT		
3. PLC	± .005 [0.13]	SCALE	A1	00779
4. PLC	± -	RESTRICTED TO		
ANGLES	± -	CAGE CODE		208972
FINISH	-	DRAWING NO		
MATERIAL SEE CALLOUTS		CUSTOMER DRAWING		
			SCALE	1:1
			SHEET	2 OF 2
			REV	AH

X-ON Electronics

Largest Supplier of Electrical and Electronic Components

Click to view similar products for [Rack & Panel Connectors](#) category:

Click to view products by [TE Connectivity](#) manufacturer:

Other Similar products are found below :

[00170420102](#) [00171420202](#) [00171440002](#) [008026165000265](#) [02-014-013-5200-000](#) [613467-000](#) [CTJ112E01E-513](#) [CTJ116E03A-513](#)
[M81714/63-22S L/C](#) [M81714/65-12-1](#) [66020-2](#) [CW8958-000](#) [699886-000](#) [D250-50632](#) [70.400.3240.0](#) [70.955.2453.3](#) [733753-000](#) [F22831-000](#) [780-522-DPX34RG8-02](#) [MMA25-0341D1](#) [8660-501](#) [87.060.0053.0](#) [900709N001](#) [QRP4-12P-C\(01\)](#) [QR/P6-6S-C\(01\)](#) [1218600-1](#) [D-659-0061](#) [DMC-MD 24 C-T](#) [1-445717-6](#) [1484398-2](#) [1484399-2](#) [1484469-2](#) [MR-34MG](#) [1604997-2](#) [1663130-1](#) [1663767-7](#) [1663767-8](#) [MTC100-BF1-P31CS015](#) [MTC100-KT2-0083](#) [MTC100-KT2-0123-003](#) [MTC100-YA1-005](#) [MTCB1X-105-XXX](#) [MTCQKT1R2PGCA](#) [MTCR-103-04S](#) [MTCX1X-100-100CS025](#) [1738331-1](#) [1757667-1](#) [1883433-1](#) [1996636-1](#) [201784-4](#)