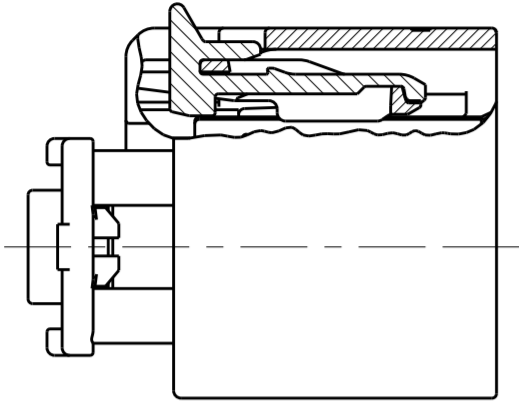
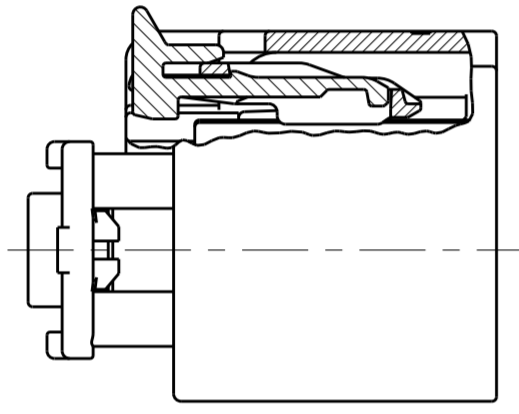


THIS DRAWING IS UNPUBLISHED. RELEASED FOR PUBLICATION 20
 © COPYRIGHT 20 BY - ALL RIGHTS RESERVED.

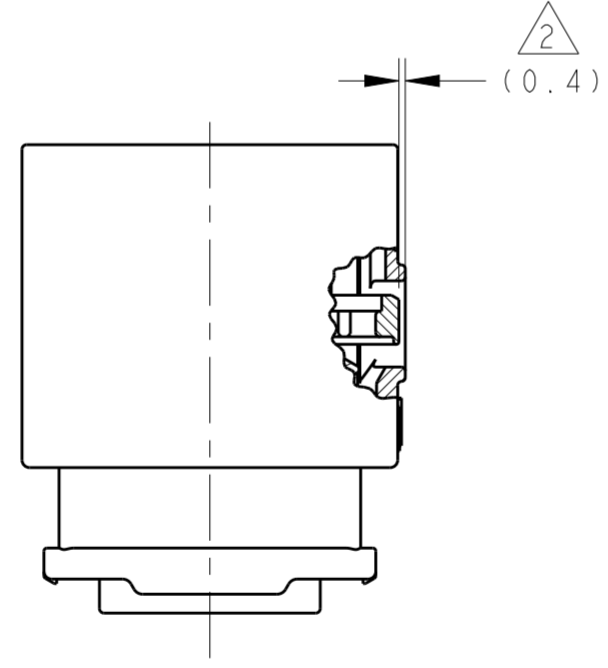
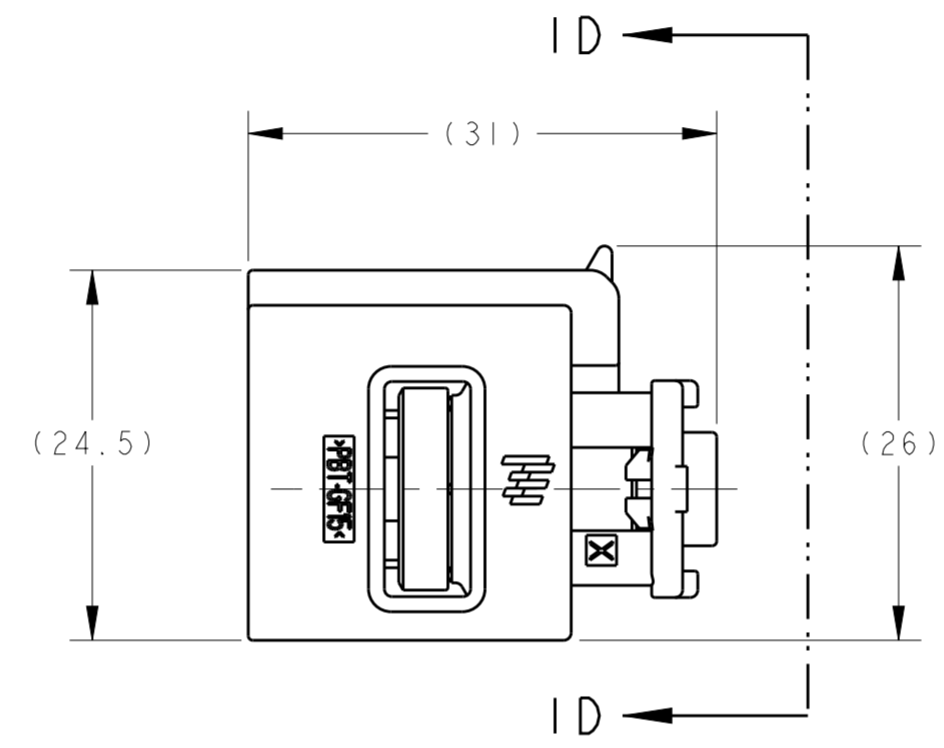
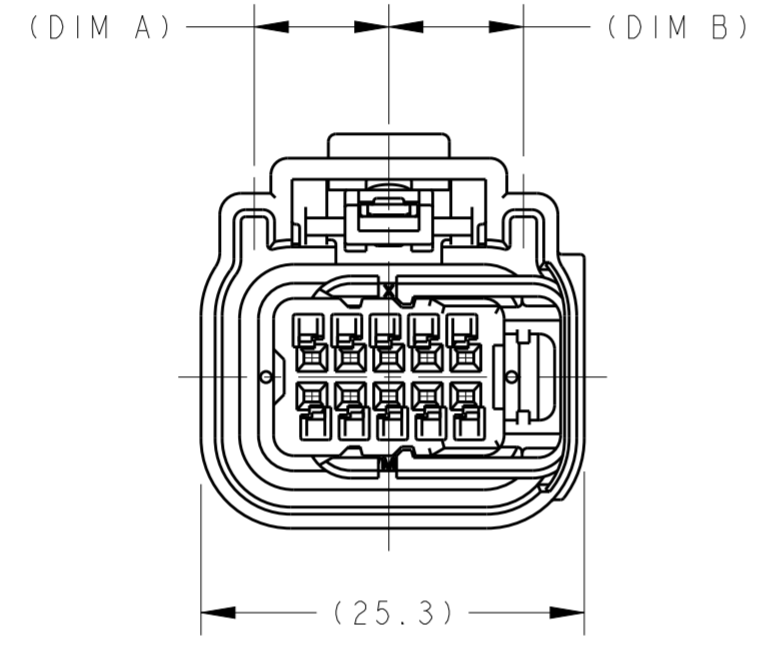
REVISIONS					
P	LTR	DESCRIPTION	DATE	DWN	APVD
B9		ECO-17-009985	01SEP2017	KP	CS
B10		REVISED PER ECO-17-012799	12SEP2017	JMS	CS
B11		REVISED PER ECO-17-016057	02NOV2017	JMS	CS
B12		REVISED PER ECO-18-000662	16JAN2018	JMS	CS



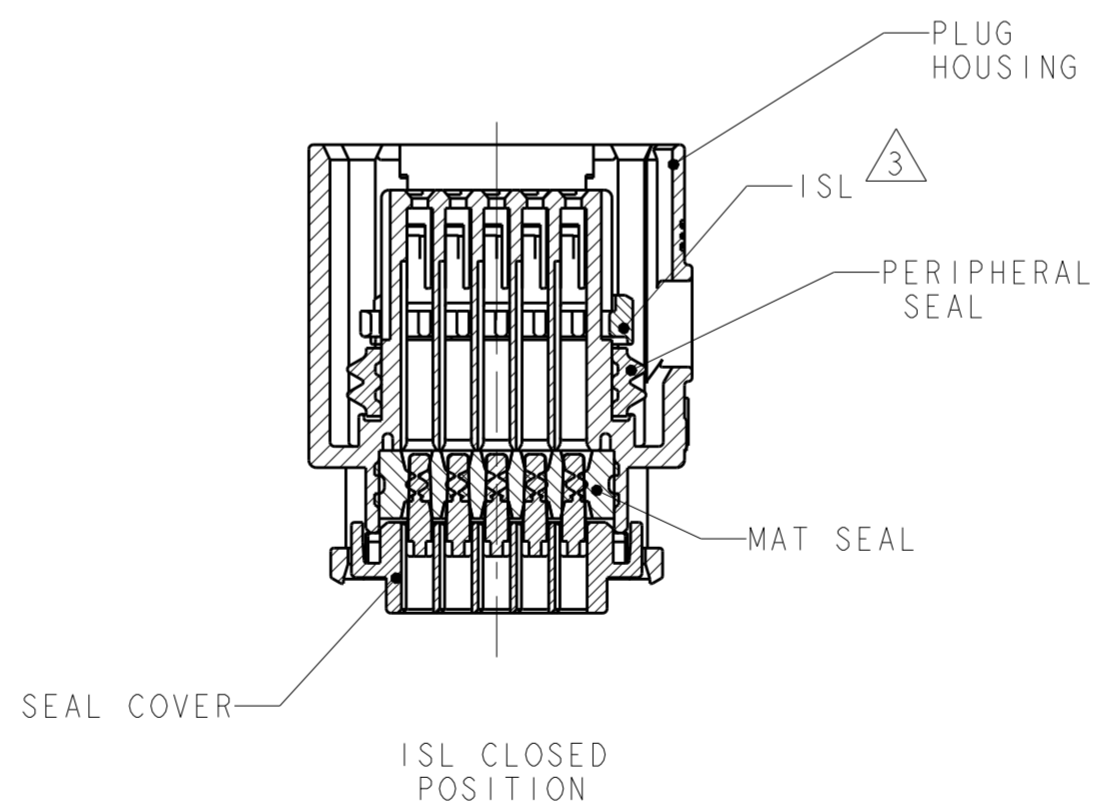
CPA CLOSED POSITION ³



CPA PRE-LATCHED POSITION ²



ISL PRE-LATCHED POSITION



ISL CLOSED POSITION

- ¹ PLUG HOUSING: PBT, 15% GLASS-FILLED, COLOR: SEE TABLE
 PERIPHERAL SEAL: SILICONE, GREEN
 MAT SEAL: SILICONE, BLUE
 SEAL COVER: NYLON 6/6, 15% GLASS-FILLED, BLACK
 ISL: NYLON 6/6, 35% GLASS-FILLED, NATURAL
 CPA: PBT, 33% GLASS-FILLED, GRAY

- ² OPTIONAL CPA & ISL SHOWN IN PRE-LATCHED, AS SHIPPED, POSITION.

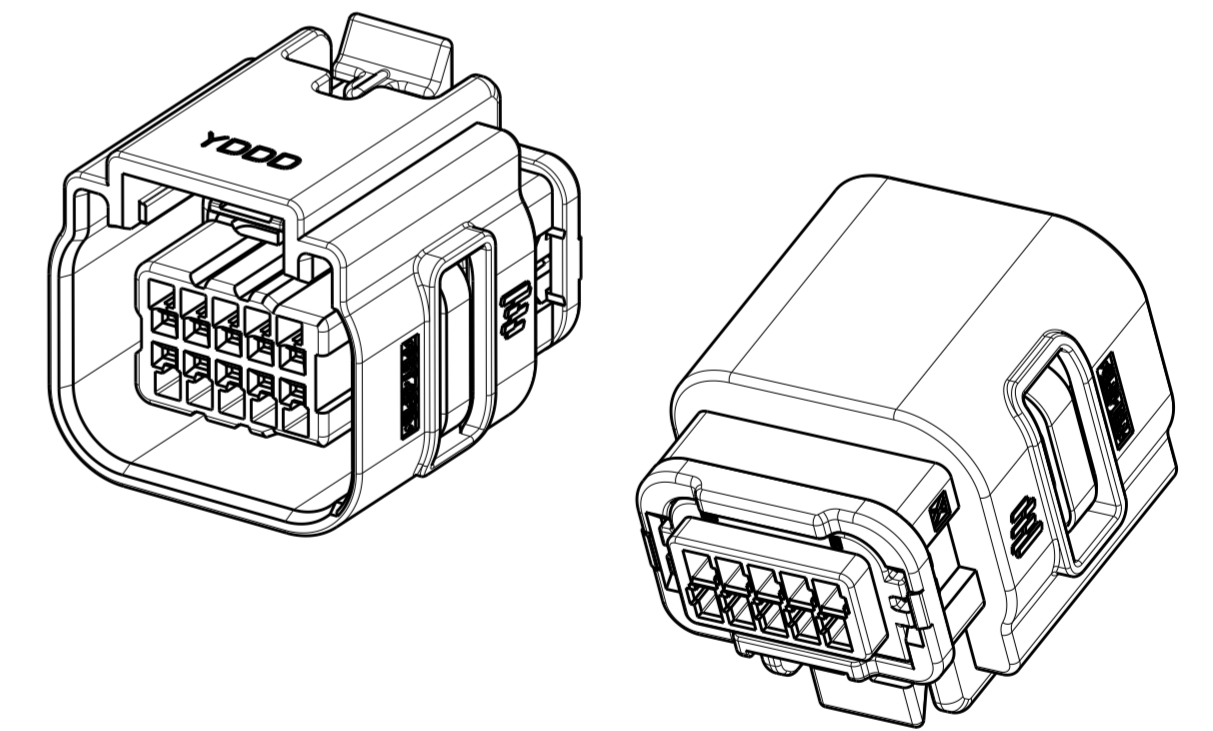
- ³ OPTIONAL CPA & ISL SHOWN IN CLOSED POSITION.

- 4. PLUG ASSEMBLY MATES WITH USCAR INTERFACE DRAWING 064-S-010-2-Z01.

- 5. PLUG ASSEMBLY WILL ACCEPT THE FOLLOWING TERMINAL PART NUMBERS: 2035170-1, 2035170-2

- ⁶ PART NUMBERS MARKED AS PRELIMINARY HAVE NOT BEEN RELEASED PER FORMAL QUALIFICATIONS.

- 7. REFERENCE INSTRUCTION SHEET 408-10350 FOR ASSEMBLY INSTRUCTIONS.



SEE SHEET 2 FOR PART NUMBERS AND CIRCUIT CONFIGURATIONS

THIS DRAWING IS A CONTROLLED DOCUMENT.		DWN S. VINAY 25MAR2009	TE Connectivity	
		CHK MD BROWN 14APR2009		
		APVD MD BROWN 14APR2009	NAME	
DIMENSIONS: mm 		PRODUCT SPEC - APPLICATION SPEC - WEIGHT - CUSTOMER DRAWING		PLUG ASSEMBLY, 10 POSITION (2x5), SEALED, GENERATION Y
TOLERANCES UNLESS OTHERWISE SPECIFIED: 0 PLC ±- 1 PLC ±0.3 2 PLC ±0.1 3 PLC ±- 4 PLC ±- ANGLES ±1° FINISH -		SIZE A200779	CAGE CODE C-2098269	DRAWING NO G-2098269
MATERIAL - ¹		SCALE 2:1	SHEET 1 OF 2	RESTRICTED TO - REV B12

X-ON Electronics

Largest Supplier of Electrical and Electronic Components

Click to view similar products for [Automotive Connectors](#) category:

Click to view products by [TE Connectivity](#) manufacturer:

Other Similar products are found below :

[003-018-000](#) [60403001](#) [60993906-B](#) [M902-2131](#) [M902-2161](#) [M902-2344](#) [72.330.1035.1](#) [73.353.4028.0](#) [F119300-B](#) [F166900](#) [F258300-B](#)
[F358300-B](#) [F407400](#) [F444110](#) [F487000](#) [F509500B-B](#) [827153-1](#) [8N1515-32-24P](#) [9-1326729-8](#) [925474-1](#) [928905-1](#) [964562-4](#) [968782-1](#)
[GT17SA-8DS-HU](#) [98891-1012](#) [98947-1016](#) [12004147](#) [12004475-L](#) [12010290](#) [12010309-B](#) [12015454](#) [12020219-B](#) [12041318-B](#) [12052225-](#)
[L](#) [12052466](#) [12064869](#) [12004327-B](#) [12015308](#) [12015384](#) [12015909](#) [1-21030-1](#) [12041254](#) [12041318](#) [12047946-B](#) [12047957](#) [12047957-L](#)
[12059473](#) [12066261](#) [12110546](#) [12110546-B](#)