

4

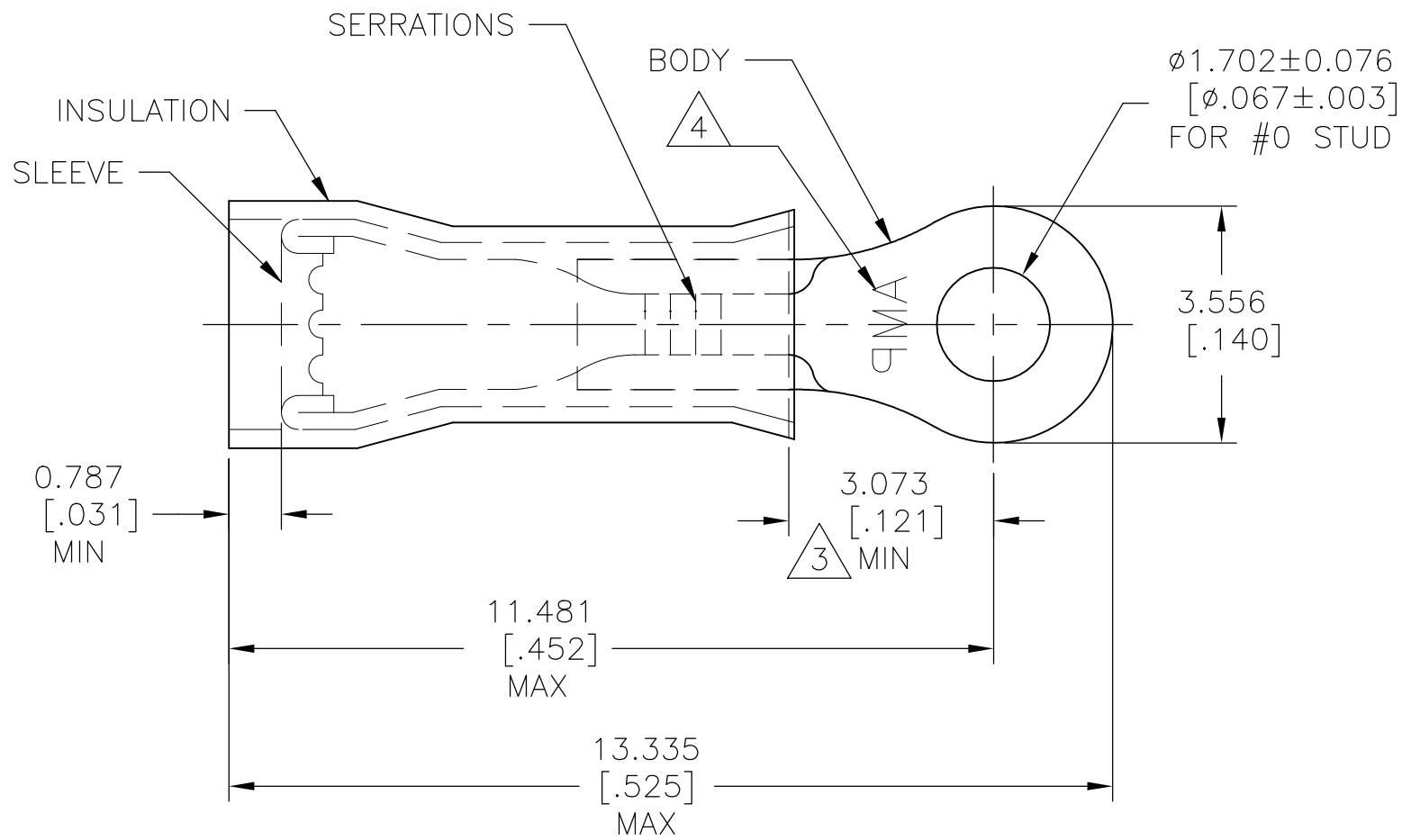
3

2

1

THIS DRAWING IS UNPUBLISHED. RELEASED FOR PUBLICATION
 © COPYRIGHT - TE Connectivity Ltd. ALL RIGHTS RESERVED.

REVISIONS				
P	LTR	DESCRIPTION	DATE	APVD
H1		REVISED PER ECR-09-017960	26AUG09	HMR JR
H2		REVISED PER ECO-18-006974	08MAY2018	RS DR



- 1 FOR $\phi 1.270[\phi.050]$ TO $\phi 2.083[\phi.082]$ WIRE INSULATION DIA
- 2 BODY MATERIAL THK: $0.457\pm 0.051[.018\pm.002]$
- 3** APPLIES FROM THE EDGE OF THE METAL BARREL TO THE CENTER OF THE STUD
- 4** STAMP AMP APPROX AS SHOWN

QTY	DESCRIPTION	MATERIAL & FINISH	PART NO
4000	321013 ON TAPE	BODY: COPPER (ASTM-B152) TIN PL (ASTM-B545)	2-321013-1
1000	LOOSE PIECE	SLEEVE: COPPER (ASTM-B152) INSULATION: YELLOW NYLON	321013

AMP INCORPORATED
CUSTOMER SERVICE SYSTEMS

FOR ADDITIONAL PRODUCT INFORMATION OR COPIES OF DRAWINGS AND TECHNICAL DOCUMENTS	PRODUCT INFORMATION CENTER 1-800-522-6752
FOR APPLICATION TOOLING INFORMATION	TOOLING ASSISTANCE CENTER 1-800-722-1111
FOR ORDER ENTRY	1-800-526-5142

MAX RECOMMENDED OPERATING TEMPERATURE: 105°C [221°F]
VOLTAGE RATING: 300 V MAX
CIRCULAR MIL AREA: 0.10mm ² -0.41mm ² [202-810]

THIS DRAWING IS A CONTROLLED DOCUMENT.	
DIMENSIONS: mm [INCHES]	TOLERANCES UNLESS OTHERWISE SPECIFIED:
	0 PLC ± -
	1 PLC ± -
	2 PLC ± -
	3 PLC ± 0.127[.005]
	4 PLC ± -
	ANGLES ± 5°
MATERIAL SEE TABLE	FINISH SEE TABLE

DWN	26AUG09
CHK	RAGHAVENDRA
APVD	26AUG09
NAME	JEFF RUTH
PRODUCT SPEC	TOM MICHIELUTTI
APPLICATION SPEC	114-2157
WEIGHT	
CUSTOMER DRAWING	

TE TE Connectivity Ltd.

WIRE TERMINAL
PIDG - RING TONGUE
WIRE SIZE: 26 - 22 AWG

SIZE	CAGE CODE	DRAWING NO	RESTRICTED TO
A3	00779	C-321013	-

SCALE 10:1 SHEET 1 OF 1 REV H2

X-ON Electronics

Largest Supplier of Electrical and Electronic Components

Click to view similar products for [Terminals](#) category:

Click to view products by [TE Connectivity](#) manufacturer:

Other Similar products are found below :

[HT-13-10](#) [71M-250-32-NB](#) [01-2065-1-0216](#) [00581P0075](#) [M10-10RX](#) [M10BCK](#) [60205-1](#) [604200-1](#) [60598-1-CUT-TAPE](#) [60617-1-C](#) [60873-1](#) [M14-516R/SK](#) [M14-6RSX](#) [M18-8FBX](#) [M18-8R/LX](#) [M18BCK](#) [61314-6-C](#) [61-S](#) [61-SN-A](#) [62-NBM-A](#) [63-S](#) [640179-1](#) [640917-2-CUT-TAPE](#) [6501550002](#) [66107-2-C](#) [696683-1](#) [696834-1](#) [696861-1](#) [696931-1](#) [696999-1](#) [M8-516RK](#) [M86700006](#) [MA250DMFMX-A](#) [701-2007](#) [701-2307](#) [701-7761-03](#) [70F-110-32-PB](#) [718-N-A](#) [71M-187-20-NBL](#) [71M-250-32-NBL](#) [72F-187-20-NBL](#) [72M-250-32-NBL](#) [7310](#) [73F-250-32](#) [73F-250-32-NL](#) [F14-10C](#) [F-1M](#) [751-250](#) [76650-5002](#) [76828-149](#)