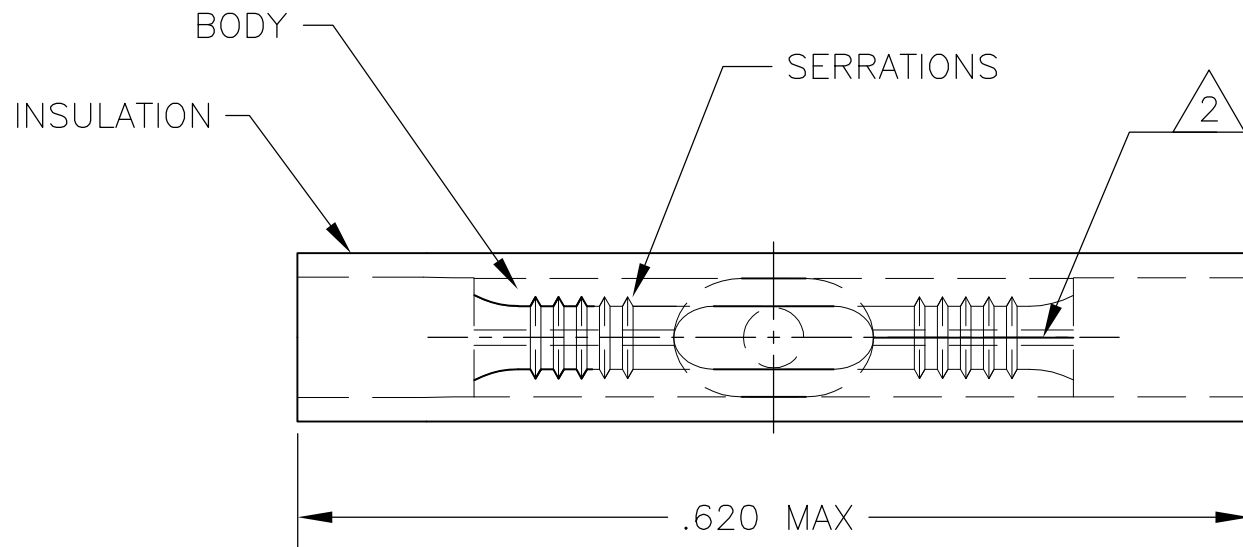
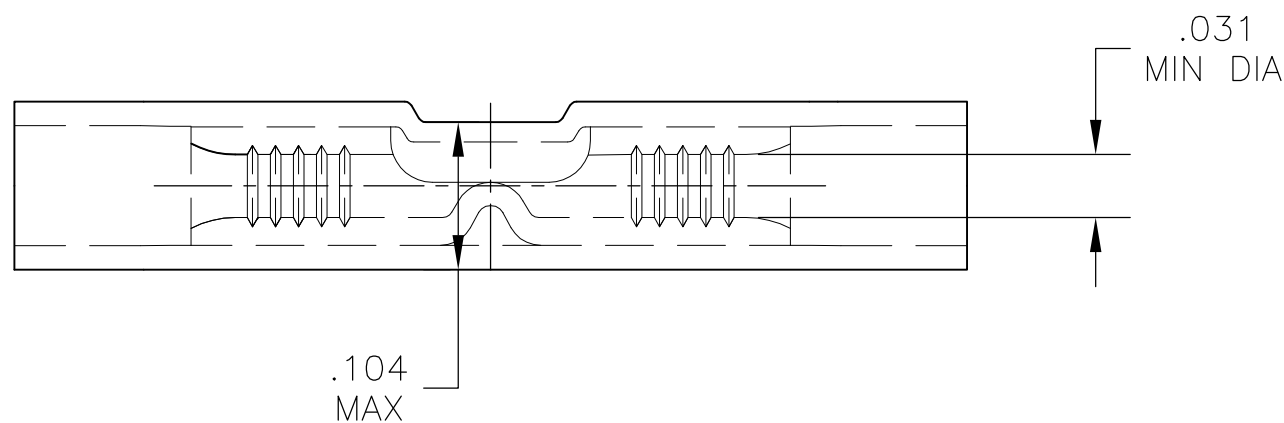


THIS DRAWING IS UNPUBLISHED. RELEASED FOR PUBLICATION  
 © COPYRIGHT - By - ALL RIGHTS RESERVED.

LOC	DIST	REVISIONS			
P	LTR	DESCRIPTION	DATE	DWN	APVD
G	14	G	REVISED PER ECO-14-015185	04DEC2014	NK DR



- 1 FOR .050 TO .080 WIRE INSULATION DIA.
- 2 BRAZED SEAM ON BUTT SPLICE BODY.
- 3 MATERIAL: INSULATION - PVC  
 COLOR - YELLOW, TRANSPARENT  
 BODY - COPPER PER ASTM B152  
 FINISH - TIN PL. PER ASTM B545



100	LOOSE PIECE	8-321026-1
4000	ON TAPE	2-321026-1
1000	LOOSE PIECE	321026
QTY	DESCRIPTION	PART NO

THIS DRAWING IS A CONTROLLED DOCUMENT.		DWN jr_ruth 27OCT04	TE Connectivity		
DIMENSIONS: INCHES		CHK T MICHELUTTI 27OCT04			
		APVD T MICHELUTTI 27OCT04	NAME		
TOLERANCES UNLESS OTHERWISE SPECIFIED:		PRODUCT SPEC	WIRE BUTT SPLICE, PLASTI-GRIP, WIRE SIZE: 26-22		
0 PLC ± -		APPLICATION SPEC	SIZE	CAGE CODE	DRAWING NO
1 PLC ± -		114-2161	A3	00779	C-321026
2 PLC ± -		WEIGHT	RESTRICTED TO		
3 PLC ± .008		-	-		
4 PLC ± -		CUSTOMER DRAWING	SCALE	SHEET	REV
ANGLES ± 5°			1:1	1 OF 1	G
MATERIAL	FINISH				
3	3				

## X-ON Electronics

Largest Supplier of Electrical and Electronic Components

*Click to view similar products for [Terminals](#) category:*

*Click to view products by [TE Connectivity](#) manufacturer:*

Other Similar products are found below :

[00-054007-01074-6](#) [00-054007-70206-1](#) [00-054007-70210-8](#) [00-054007-70217-7](#) [00-054007-70226-9](#) [00-054007-70228-3](#) [00-054007-70248-1](#) [00-054007-70256-6](#) [00-054007-70301-3](#) [00-054007-70316-7](#) [0-0320562-0](#) [00-054007-49560-4](#) [00-054007-70209-2](#) [00-054007-70225-2](#) [00-054007-70227-6](#) [00-054007-70231-3](#) [00-054007-70241-2](#) [00-054007-70242-9](#) [00-054007-70244-3](#) [00-054007-70246-7](#) [00-054007-70263-4](#) [00-054007-70288-7](#) [00-054007-70290-0](#) [00-054007-70300-6](#) [00-054007-70304-4](#) [01-2065-1-0216](#) [01-2900-1-04412](#) [00581P0075](#) [600TS-10](#) [60205-1](#) [604200-1](#) [605601-1](#) [60598-1-CUT-TAPE](#) [61314-6-C](#) [61810-3](#) [61-S](#) [61-SN](#) [626-0194](#) [62-NBM-A](#) [62-SN](#) [62-SP](#) [63-S](#) [640179-1](#) [M55155/059I03](#) [M55155/079C01](#) [M55155/099H02](#) [M55155/109H01](#) [M55155/109H02](#) [M55155/12XH05](#) [M55155/16XH02](#)