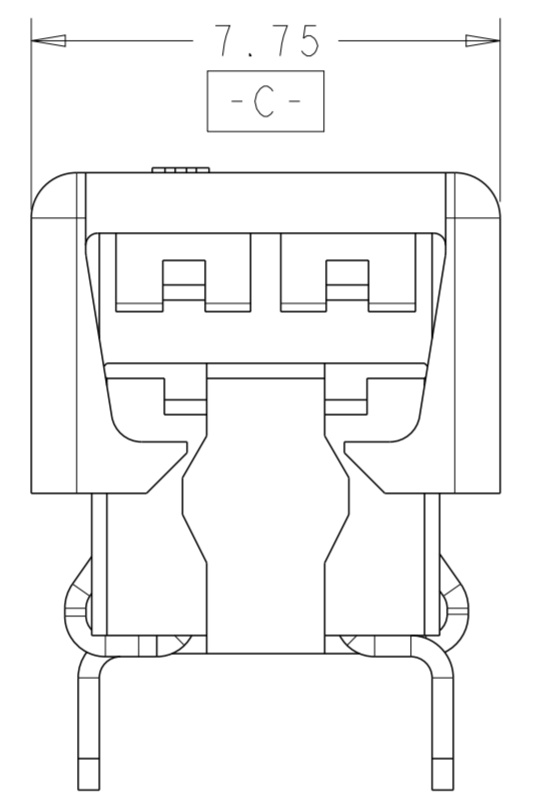


THIS DRAWING IS UNPUBLISHED. RELEASED FOR PUBLICATION 20
 © COPYRIGHT 20 BY - ALL RIGHTS RESERVED.

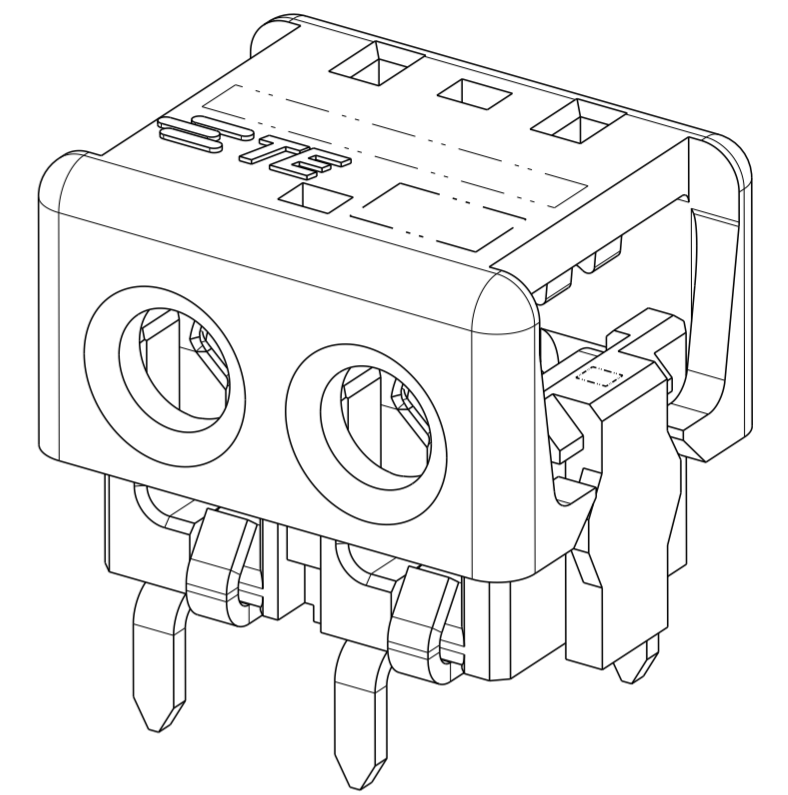
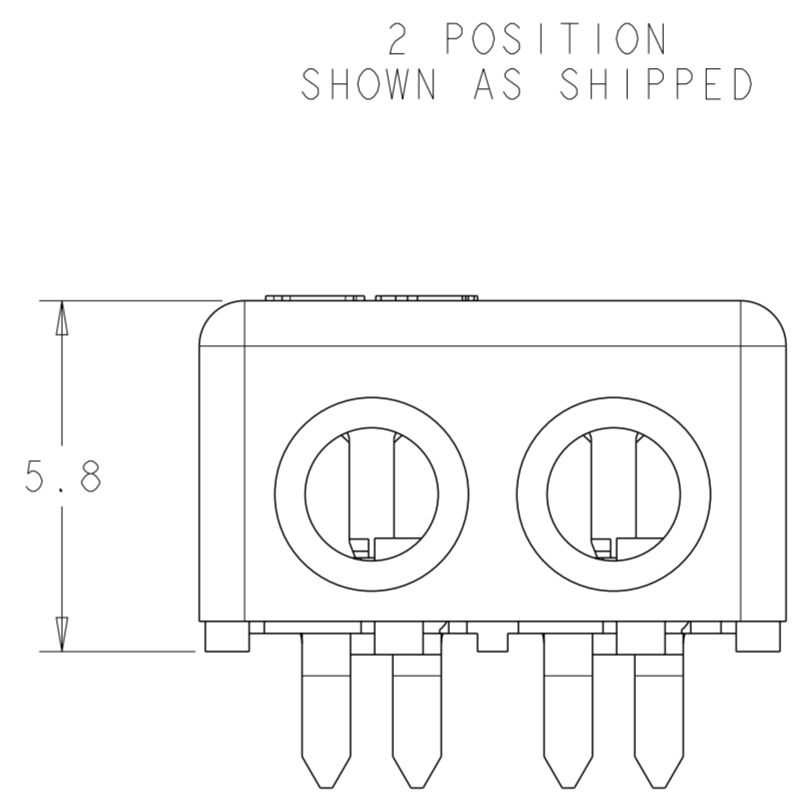
LOC	DIST	REVISIONS					
CM	00	P	LTR	DESCRIPTION	DATE	DWN	APVD
		A1		REVISED PER ECR-12-003555	19APR2012	RS	DD
		A2		REVISED PER ECR-12-016877	20OCT2012	RS	DD
		B		REVISED PER ECR-15-004054	28JUL2015	RS	DD
		C		REVISED PER ECR-15-017995	18DEC2015	RS	DD



FOR 1 POSITION ONLY



FOR 2, 3 AND 4 POSITIONS



△ MATERIALS AND FINISH:
 - HOUSING: LCP, COLOR: NATURAL
 - CONTACTS: COPPER ALLOY, FINISH: Sn OVER Ni

- COMPLY WITH DIRECTIVE 2002/95/EC (ROHS)
- 18-24AWG SOLID OR STRANDED WIRE. PLEASE REFER TO APPLICATION SPEC 114-13266 FOR RECOMMENDED STRAND COUNT.
 18 AWG MAX INSULATION OD: 2.20
 20 AWG MAX INSULATION OD: 1.90
 22 AWG MAX INSULATION OD: 1.70
 24 AWG MAX INSULATION OD: 1.45
- PACKAGE IN TAPE AND REEL PER EIA-481 SPECIFICATION

- WIRE SIZE MARKING IN APPROXIMATE LOCATION SHOWN.
- COLOR CODE MARKING, STRAIGHT LINE.
- ONE POSITION ASSEMBLY DOES NOT COMPLY WITH EIA 481 SPECIFICATION.

RED	17.70	24 AWG	4	3-2106489-4
	13.70	24 AWG	3	3-2106489-3
	9.70	24 AWG	2	3-2106489-2
	5.70	24 AWG	1	△ 3-2106489-1
GREEN	17.70	22 AWG	4	2-2106489-4
	13.70	22 AWG	3	2-2106489-3
	9.70	22 AWG	2	2-2106489-2
	5.70	22 AWG	1	△ 2-2106489-1
BLUE	17.70	20 AWG	4	1-2106489-4
	13.70	20 AWG	3	1-2106489-3
	9.70	20 AWG	2	1-2106489-2
	5.70	20 AWG	1	△ 1-2106489-1
YELLOW	17.70	18 AWG	4	2106489-4
	13.70	18 AWG	3	2106489-3
	9.70	18 AWG	2	2106489-2
	5.70	18 AWG	1	△ 2106489-1
COLOR CODE	DIM D	WIRE SIZE	POSN	PART NUMBER

THIS DRAWING IS A CONTROLLED DOCUMENT. DWN C DAILY 11JUN2009
 CHK O OSAGIE 11JUN2009

STE TE Connectivity

ASSEMBLY, IDC SSL CONNECTOR, THROUGH HOLE, CLOSED END

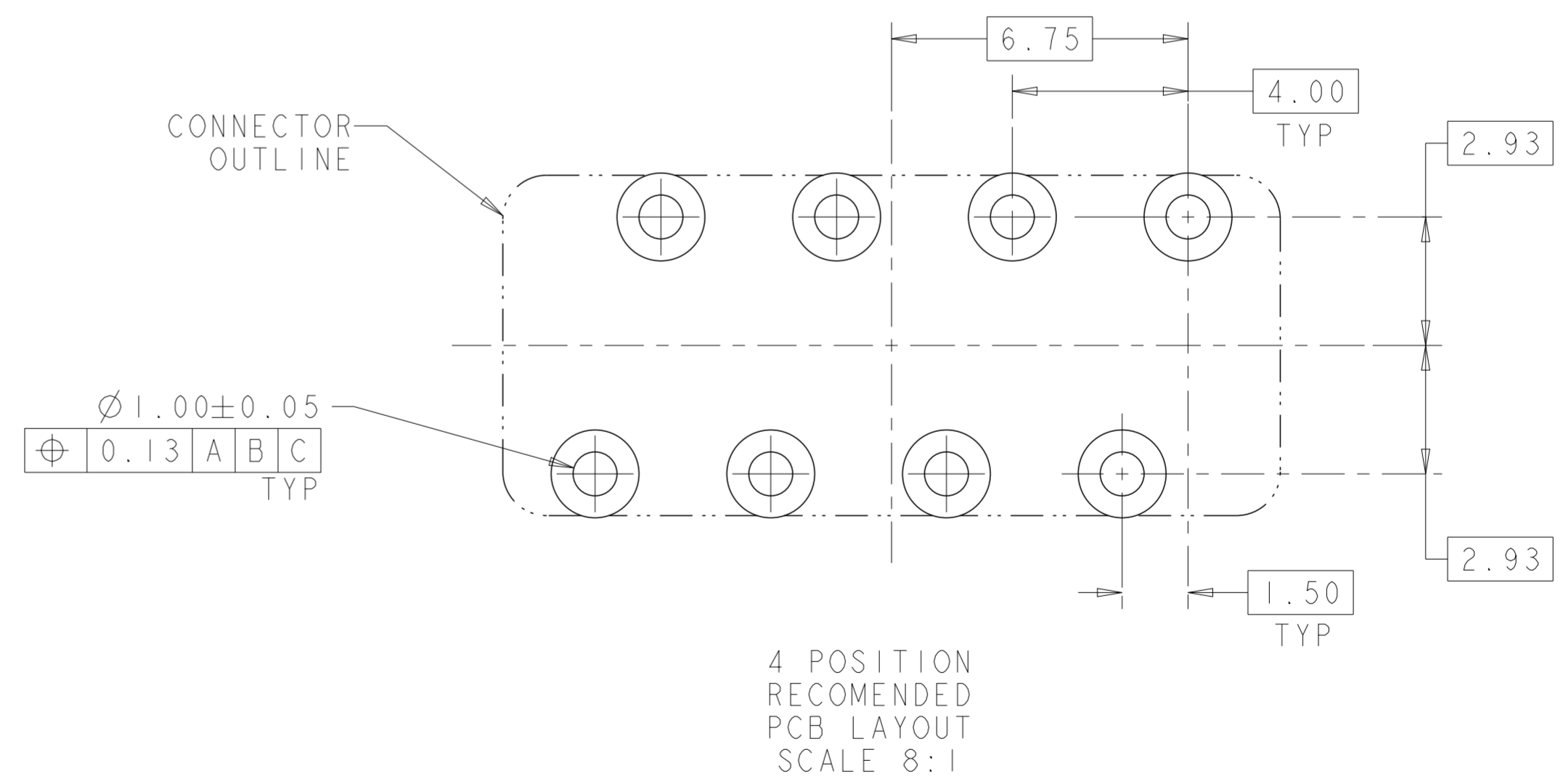
APVD -
 PRODUCT SPEC 108-2404
 APPLICATION SPEC 114-13266
 WEIGHT -

MATERIAL △ - TOLERANCES UNLESS OTHERWISE SPECIFIED:
 0 PLC ±
 1 PLC ±0.5
 2 PLC ±0.13
 3 PLC ±
 4 PLC ±
 ANGLES ±
 FINISH △ -

NAME -
 SIZE A2 CAGE CODE 00779 DRAWING NO C-2106489 RESTRICTED TO -
 SCALE 8:1 SHEET 1 OF 3 REV C

Customer Drawing

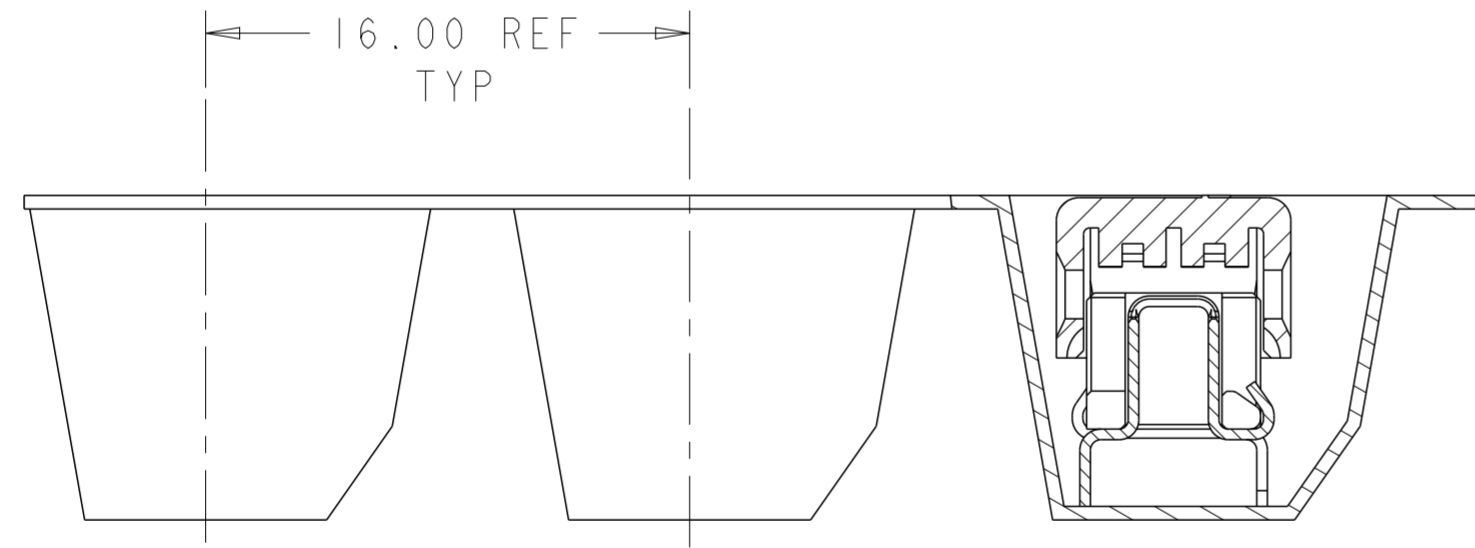
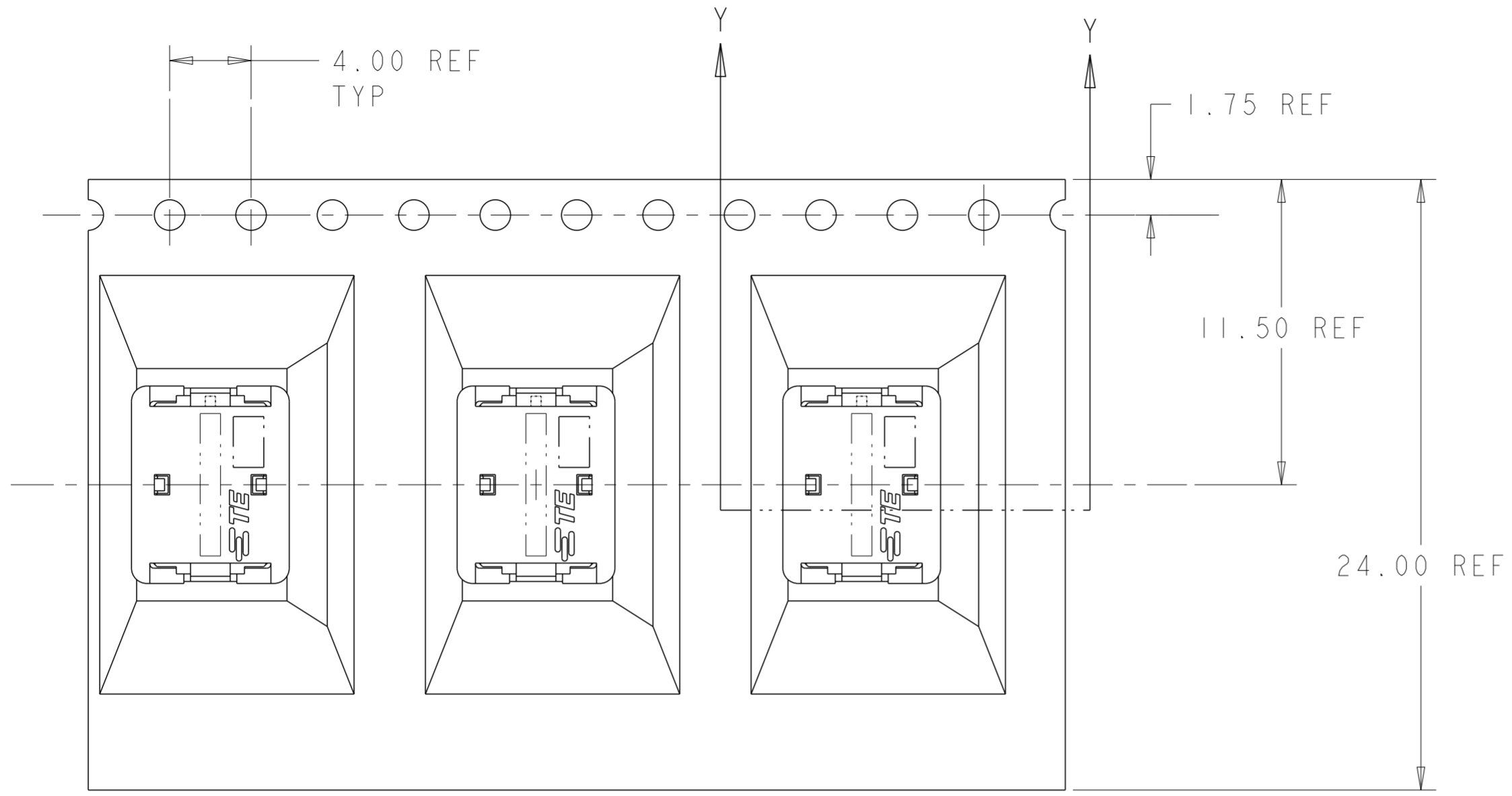
LOC		DIST		REVISIONS			
P	LTR	DESCRIPTION		DATE	DWN	APVD	
-	-	SEE SHEET 1		-	-	-	



THIS DRAWING IS A CONTROLLED DOCUMENT.		DWN C DAILY 11 JUN 2009	TE Connectivity	
		CHK O QSAGIE 11 JUN 2009		
DIMENSIONS:	TOLERANCES UNLESS OTHERWISE SPECIFIED:	APVD -	NAME ASSEMBLY, IDC SSL CONNECTOR, THROUGH HOLE, CLOSED END	
mm	0 PLC ± 1 PLC ±0.5 2 PLC ±0.13 3 PLC ± 4 PLC ±	PRODUCT SPEC 108-2404	SIZE A2	CAGE CODE 00779
MATERIAL	FINISH	APPLICATION SPEC 114-13266	DRAWING NO C-2106489	RESTRICTED TO -
material_2	finish_spec_2	WEIGHT -	SCALE 8:1	SHEET 1 OF 3
Customer Drawing			REV C	


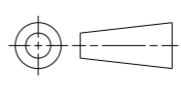
THIS DRAWING IS UNPUBLISHED. RELEASED FOR PUBLICATION 20
 © COPYRIGHT 20 BY - ALL RIGHTS RESERVED.

LOC		DIST		REVISIONS				
P	LTR	DESCRIPTION			DATE	DWN	APVD	
-	-	SEE SHEET 1			-	-	-	



SECTION Y-Y

2106489-2 SHOWN IN POCKET TAPE

THIS DRAWING IS A CONTROLLED DOCUMENT.		DWN C DAILY 11 JUN 2009	 TE Connectivity	
		CHK O. OSAGIE 11 JUN 2009		
DIMENSIONS: mm		TOLERANCES UNLESS OTHERWISE SPECIFIED:		NAME ASSEMBLY, IDC SSL CONNECTOR, THROUGH HOLE, CLOSED END
		0 PLC ±	1 PLC ±0.5	PRODUCT SPEC 108-2404
MATERIAL material_2		2 PLC ±0.13	3 PLC ±	APPLICATION SPEC 114-13266
FINISH finish_spec_2		4 PLC ±	ANGLES ±	WEIGHT -
		Customer Drawing		SIZE A2
		SCALE 8:1		CAGE CODE 200779
		SHEET 1 OF 3		DRAWING NO C-2106489
		REV C		RESTRICTED TO -

X-ON Electronics

Largest Supplier of Electrical and Electronic Components

Click to view similar products for [Lighting Connectors](#) category:

Click to view products by [TE Connectivity](#) manufacturer:

Other Similar products are found below :

[293300-7](#) [293660-5](#) [CNX_H03_NTP](#) [30-9767-BU](#) [3605](#) [3-21030-1](#) [ZCH-110-RGB-I](#) [503471-0290](#) [ZCH-110-RGB-J](#) [217-0716-200](#)
[1954563-1](#) [1-293657-2](#) [2834036-1](#) [2834037-1](#) [1-2213222-4](#) [2-2213222-4](#) [2213222-4](#) [2834122-3](#) [2834122-5](#) [2834135-2](#) [FLA-R4142-30](#)
[FLA-R4162-30](#) [FLA-R2142-30](#) [FLA-R2141-30](#) [FLA-R2162-30](#) [FLA-R2161-30](#) [FLA-R0161-30](#) [FLA-R0141-30](#) [FLA-R0142-30](#) [FLA-](#)
[R0162-30](#) [FLA-C00-00](#) [DGA00010553](#) [CNXV04NTP](#) [104128-0610](#) [503485-0000 \(Cut Strip\)](#) [503485-0000 \(Loose Piece\)](#) [503485-0000](#)
[\(MINI Reel\)](#) [1-2834074-2](#) [1-2834074-3](#) [1357-AC PLUG W2C \(CHINA\)](#) [1357-AC PLUG W2 \(USA\)](#) [104266-0110](#) [CNXV02NTP](#) [2106212-1](#)
[2-2834074-2](#) [104266-0210](#) [293470-1](#) [293651-2](#) [293651-4](#) [1-2834006-2](#)