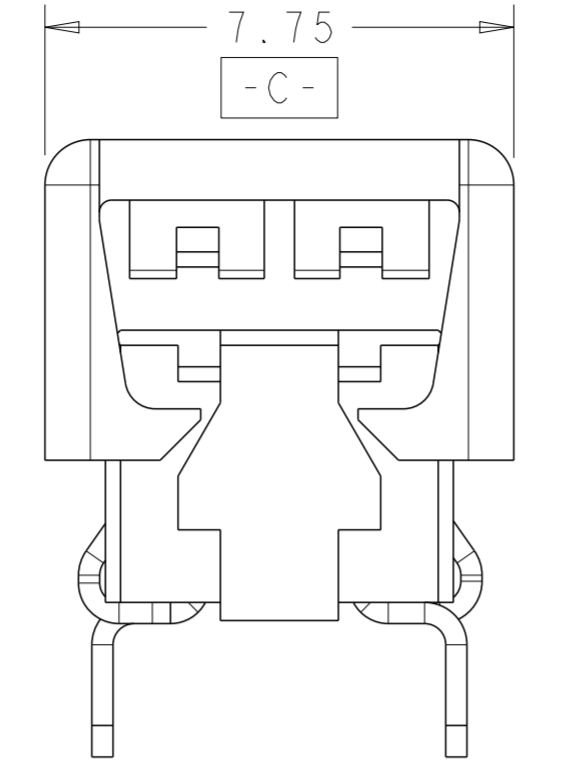
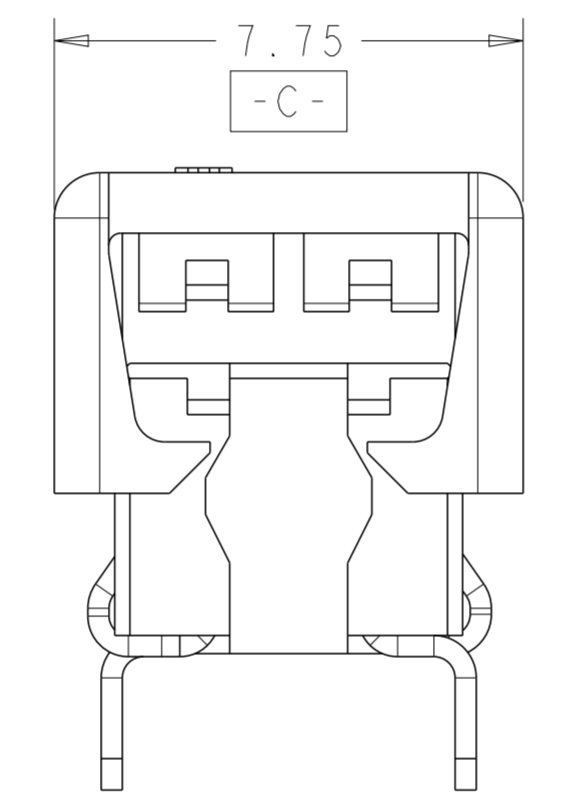


THIS DRAWING IS UNPUBLISHED. RELEASED FOR PUBLICATION 20  
 © COPYRIGHT 20 BY - ALL RIGHTS RESERVED.

LOC		DIST		REVISIONS			
P	LTR	DESCRIPTION		DATE	DWN	APVD	
	CM	00					
A1				19APR2012	RS	DD	
A2				20OCT2012	RS	DD	
B				28JUL2015	RS	DD	
C				18DEC2015	RS	DD	



FOR 1 POSITION ONLY

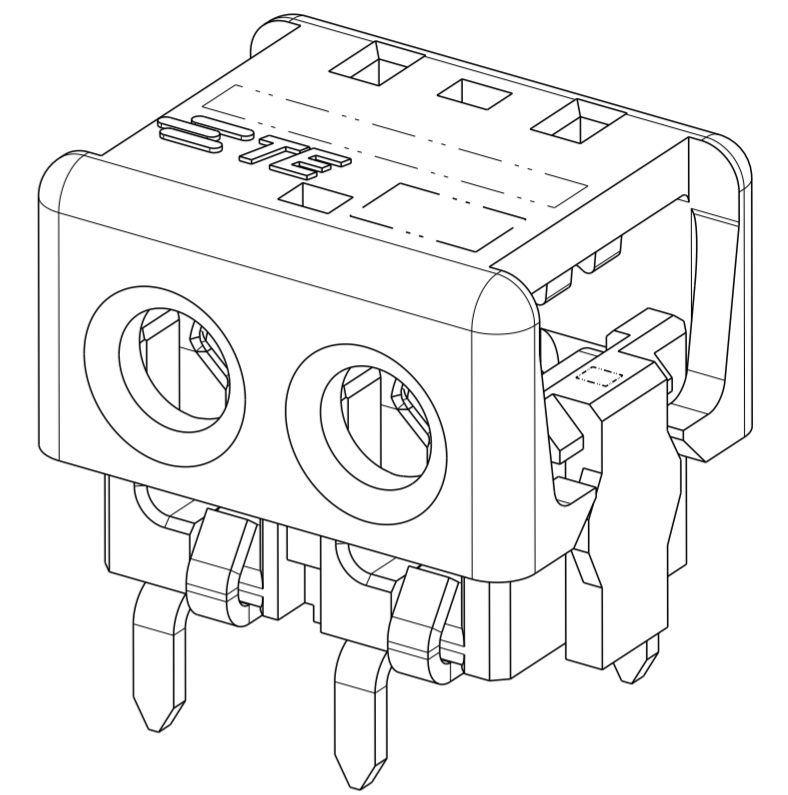


FOR 2, 3 AND 4 POSITIONS

2 POSITION SHOWN AS SHIPPED



2 POSITION SHOWN CLOSED SCALE 8:1



1 MATERIALS AND FINISH:  
 - HOUSING: LCP, COLOR: NATURAL  
 - CONTACTS: COPPER ALLOY, FINISH: Sn OVER Ni

2. COMPLY WITH DIRECTIVE 2002/95/EC (ROHS)

3. 18-24AWG SOLID OR STRANDED WIRE.  
 PLEASE REFER TO APPLICATION SPEC 114-13266 FOR RECOMMENDED STRAND COUNT.  
 18 AWG MAX INSULATION OD: 2.20  
 20 AWG MAX INSULATION OD: 1.90  
 22 AWG MAX INSULATION OD: 1.70  
 24 AWG MAX INSULATION OD: 1.45

4. PACKAGE IN TAPE AND REEL PER EIA-481 SPECIFICATION

- 5 WIRE SIZE MARKING IN APPROXIMATE LOCATION SHOWN.
- 6 COLOR CODE MARKING, STRAIGHT LINE.
- 7 ONE POSITION ASSEMBLY DOES NOT COMPLY WITH EIA 481 SPECIFICATION.

RED	17.70	24 AWG	4	3-2106489-4
	13.70	24 AWG	3	3-2106489-3
	9.70	24 AWG	2	3-2106489-2
	5.70	24 AWG	1	7 3-2106489-1
GREEN	17.70	22 AWG	4	2-2106489-4
	13.70	22 AWG	3	2-2106489-3
	9.70	22 AWG	2	2-2106489-2
BLUE	17.70	20 AWG	4	1-2106489-4
	13.70	20 AWG	3	1-2106489-3
	9.70	20 AWG	2	1-2106489-2
	5.70	20 AWG	1	7 1-2106489-1
YELLOW	17.70	18 AWG	4	2106489-4
	13.70	18 AWG	3	2106489-3
	9.70	18 AWG	2	2106489-2
	5.70	18 AWG	1	7 2106489-1
COLOR CODE	DIM D	WIRE SIZE	POSN	PART NUMBER

THIS DRAWING IS A CONTROLLED DOCUMENT. DWN: C DAILY 11JUN2009  
 CHK: O OSAGIE 11JUN2009

**STE** TE Connectivity

ASSEMBLY, IDC SSL CONNECTOR, THROUGH HOLE, CLOSED END

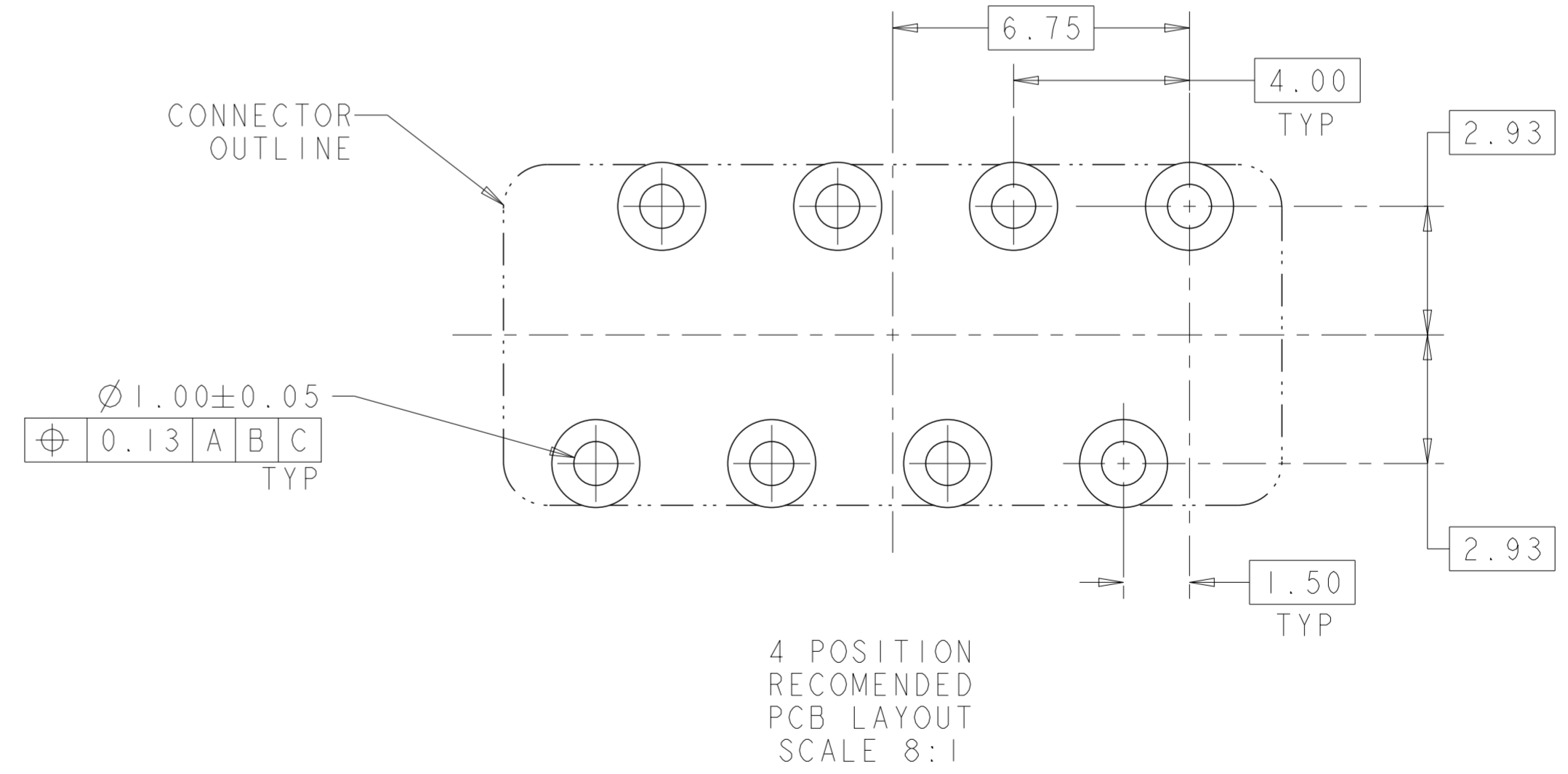
108-2404  
 114-13266

APVD: -  
 PRODUCT SPEC: 108-2404  
 APPLICATION SPEC: 114-13266

SIZE: A2 CAGE CODE: 00779 DRAWING NO: C-2106489

Customer Drawing SCALE: 8:1 SHEET 1 OF 3 REV C

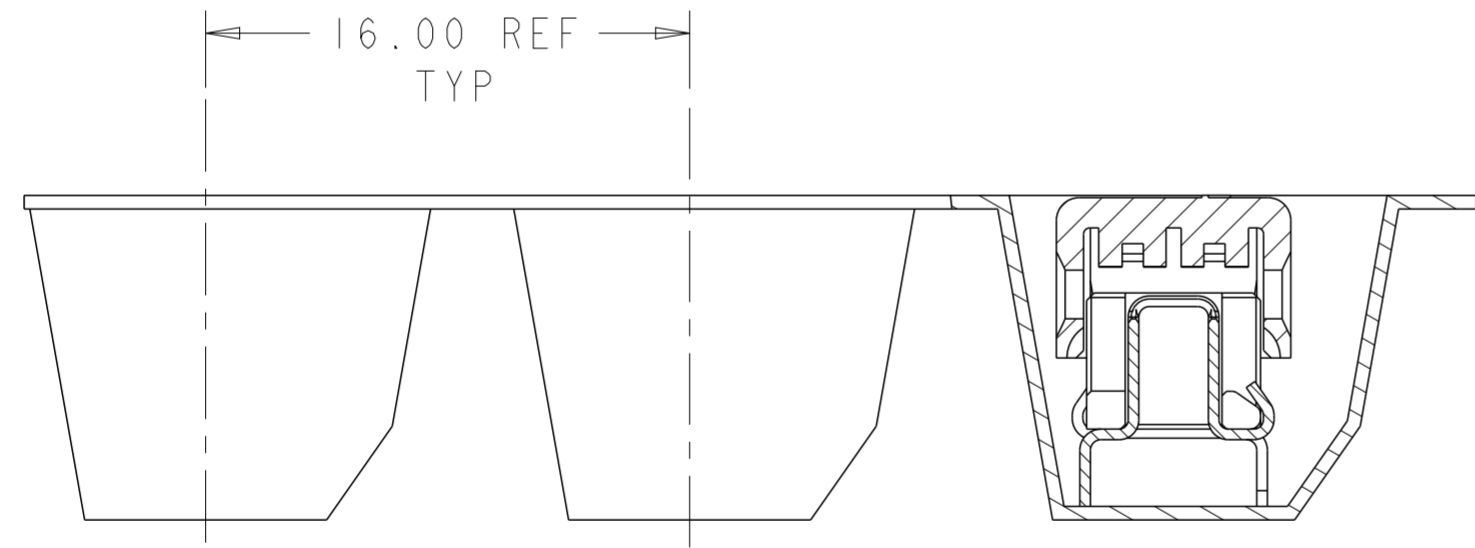
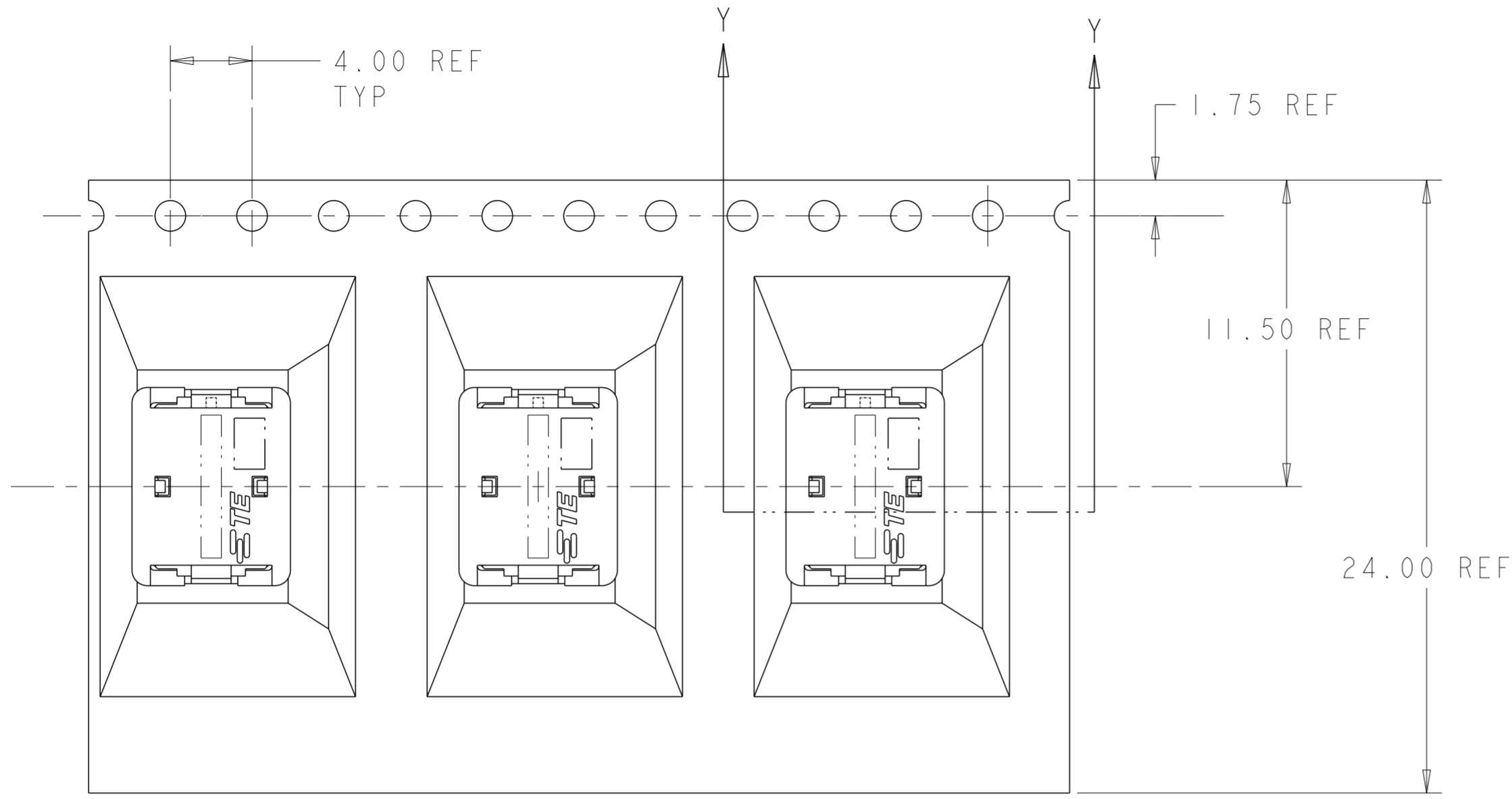
LOC		DIST		REVISIONS			
P	LTR	DESCRIPTION		DATE	DWN	APVD	
-	-	SEE SHEET 1		-	-	-	



THIS DRAWING IS A CONTROLLED DOCUMENT.		DWN C DAILY 11 JUN 2009	TE Connectivity	
		CHK O QSAGIE 11 JUN 2009		
DIMENSIONS:		APVD -	NAME ASSEMBLY, IDC SSL CONNECTOR, THROUGH HOLE, CLOSED END	
mm	TOLERANCES UNLESS OTHERWISE SPECIFIED:	PRODUCT SPEC 108-2404	SIZE A200779	
	0 PLC ± 1 PLC ±0.5 2 PLC ±0.13 3 PLC ± 4 PLC ± ANGLES ± FINISH -	APPLICATION SPEC 114-13266	DRAWING NO C-2106489	
MATERIAL material_2		WEIGHT -	RESTRICTED TO -	
		Customer Drawing	SCALE 8:1	SHEET 1 OF 3
			REV C	

THIS DRAWING IS UNPUBLISHED. RELEASED FOR PUBLICATION 20  
 © COPYRIGHT 20 BY - ALL RIGHTS RESERVED.

LOC		DIST		REVISIONS			
P	LTR	DESCRIPTION		DATE	DWN	APVD	
-	-	SEE SHEET 1		-	-	-	



SECTION Y-Y

2106489-2 SHOWN IN POCKET TAPE

THIS DRAWING IS A CONTROLLED DOCUMENT.		DWN C DAILY 11 JUN 2009	TE Connectivity	
		CHK O QSAGIE 11 JUN 2009		
DIMENSIONS:	TOLERANCES UNLESS OTHERWISE SPECIFIED:	APVD -	NAME ASSEMBLY, IDC SSL CONNECTOR, THROUGH HOLE, CLOSED END	
mm	0 PLC ± 1 PLC ±0.5 2 PLC ±0.13 3 PLC ± 4 PLC ±	PRODUCT SPEC 108-2404	SIZE A200779	
MATERIAL	FINISH	APPLICATION SPEC 114-13266	DRAWING NO C-2106489	RESTRICTED TO -
material_2	finish_spec_2	WEIGHT -	SCALE 8:1	SHEET 1 OF 3
Customer Drawing			REV C	

## X-ON Electronics

Largest Supplier of Electrical and Electronic Components

*Click to view similar products for [TE Connectivity](#) manufacturer:*

Other Similar products are found below :

[D38999/24FJ4AN](#) [570416-000](#) [CLTEQ-M81CE-SSRELAY-4-20V](#) [4-1195131-0](#) [650069-000](#) [SMD100-2](#) [358838-000](#) [CB-1022B-78](#)  
[RM707012](#) [RP410012](#) [MMS42](#) [1-640426-8](#) [2EDL4CM](#) [DTS20W19-11PD-3028-LC](#) [RM202615](#) [NC6-P104-06](#) [MSPS103B](#) [DTS26F21-](#)  
[41HE-LC](#) [DTS26F21-41AE](#) [DTS26F21-41PE-LC](#) [DTS26F21-11SE-3028-LC](#) [30DCB6](#) [1932144-1](#) [293545-4](#) [LVR125S](#) [MS27466T25F4PB](#)  
[CKB-38-78010](#) [TR04AI-TINELLOCKRING](#) [1206SFF150F/63-2](#) [D38999/20JB35HA](#) [TE1500A2R2J](#) [D38999/20WC8BB](#) [DTS24F19-11SC-](#)  
[3028-LC](#) [D38999/24WG11HA](#) [D38999/24WG11HN](#) [MS27467T21F11H](#) [DJT16E21-11HA](#) [MS27467T21F35J](#) [MS27467T21F11J](#)  
[MS27467T21F16H-LC](#) [MS27467T21F35H](#) [MS27467T21F41H-LC](#) [1206SFH150F/24-2](#) [RP330024](#) [DJT16E21-11PA-LC](#) [DJT16E21-11HA-](#)  
[LC](#) [DJT16E21-11AA](#) [MS27467T21B11JA](#) [DJT16E21-11JA](#) [MS27467T21B11JA-LC](#)