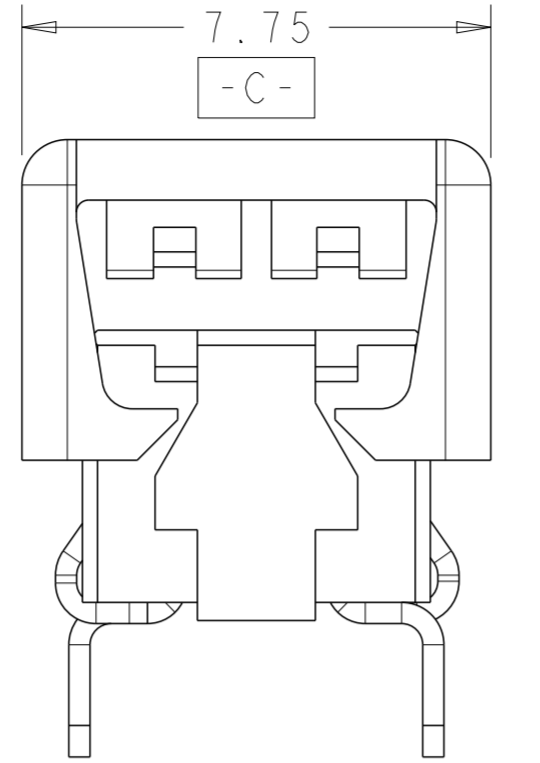
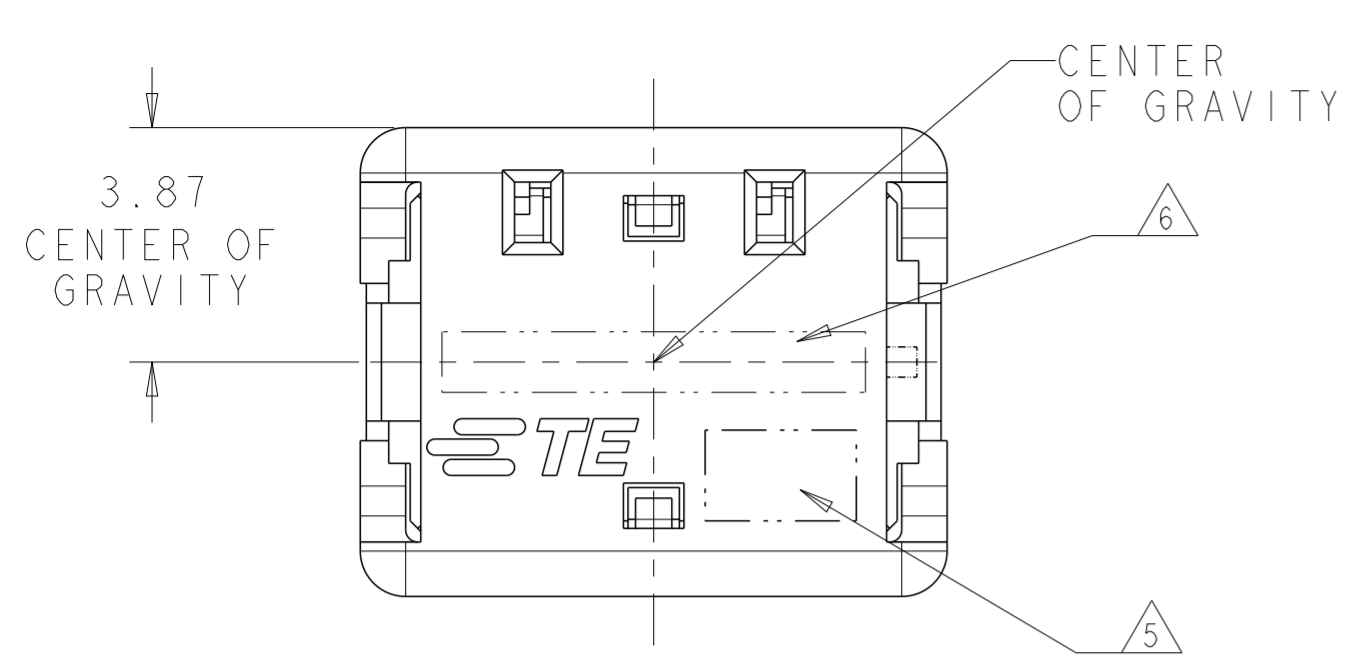
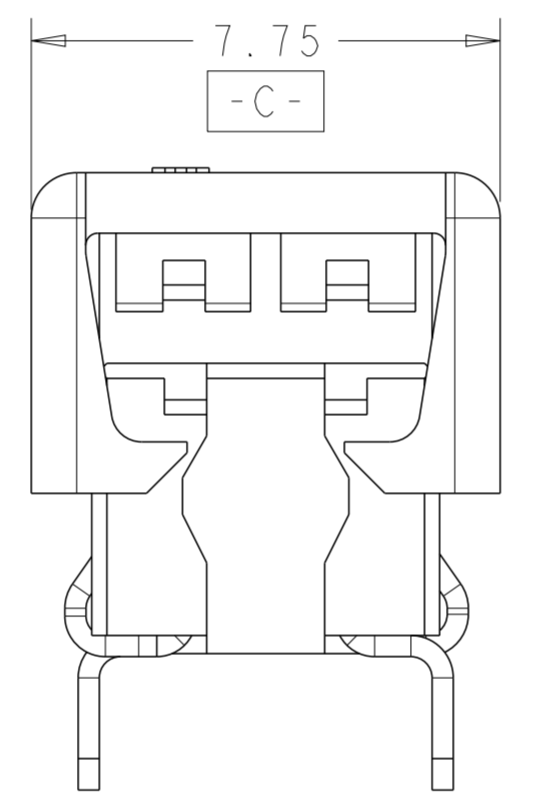
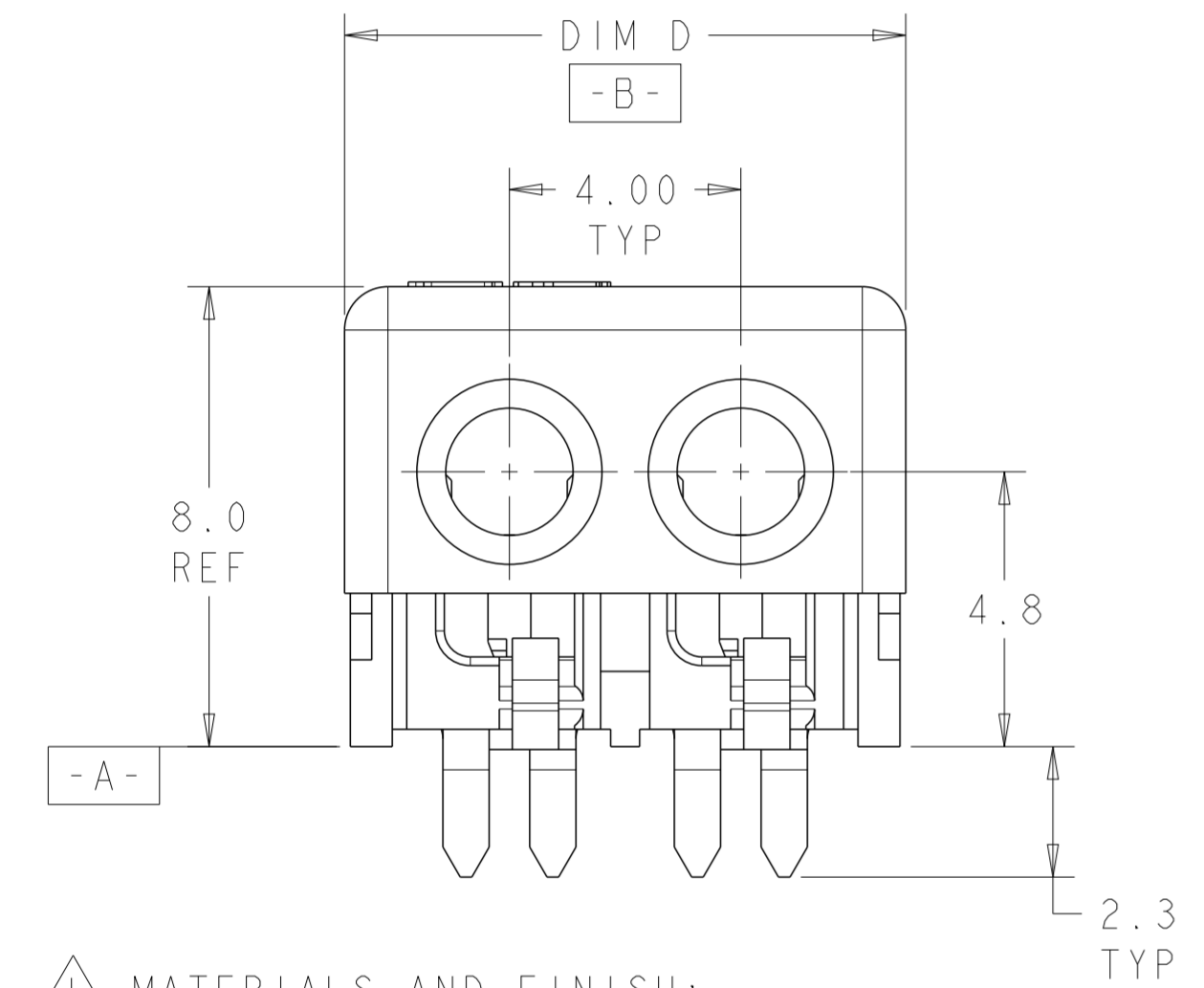


THIS DRAWING IS UNPUBLISHED. RELEASED FOR PUBLICATION 20
 © COPYRIGHT 20 BY - ALL RIGHTS RESERVED.

| LOC | DIST | REVISIONS | | | | | |
|-----|------|-----------|-----|---------------------------|-----------|-----|------|
| CM | 00 | P | LTR | DESCRIPTION | DATE | DWN | APVD |
| | | A1 | | REVISED PER ECR-12-003555 | 19APR2012 | RS | DD |
| | | A2 | | REVISED PER ECR-12-016877 | 20OCT2012 | RS | DD |
| | | B | | REVISED PER ECR-15-004054 | 28JUL2015 | RS | DD |
| | | C | | REVISED PER ECR-15-017995 | 18DEC2015 | RS | DD |

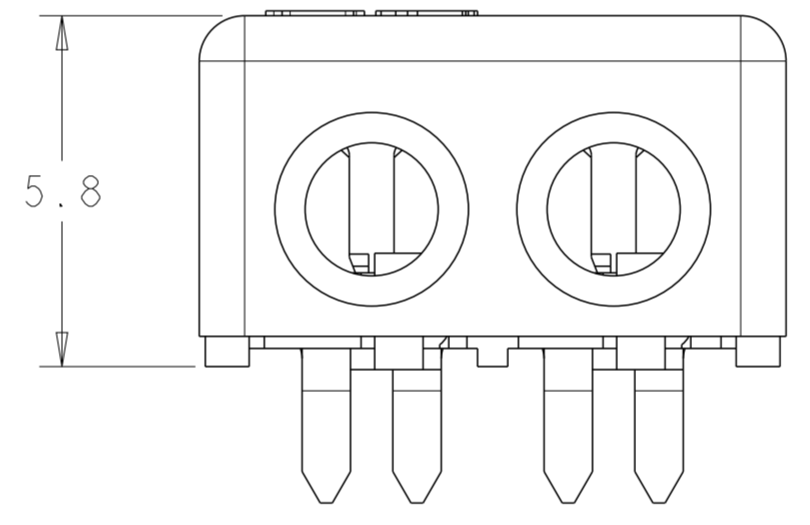


FOR 1 POSITION ONLY

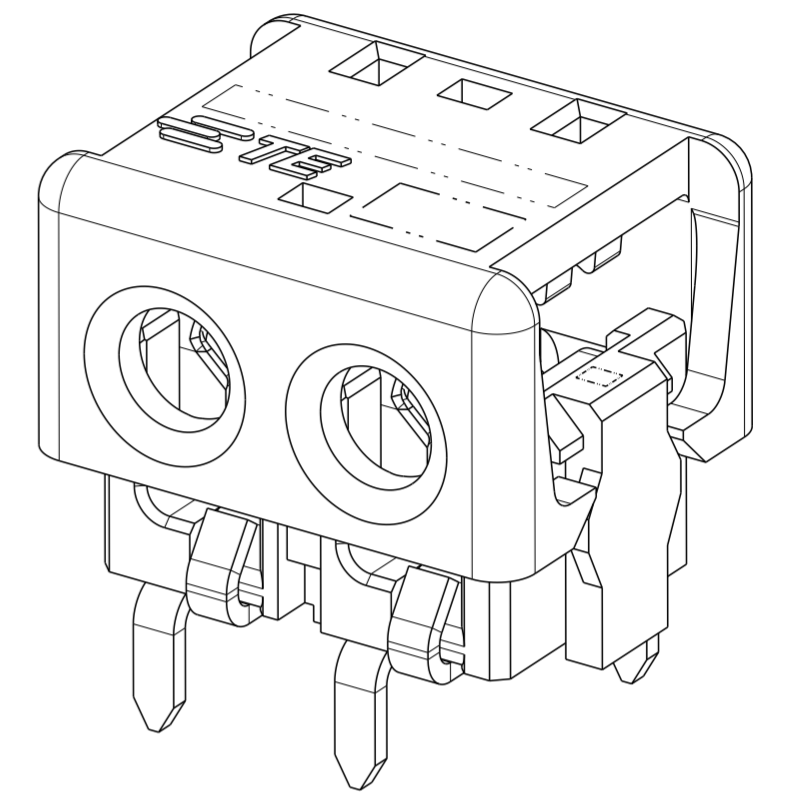


FOR 2, 3 AND 4 POSITIONS

2 POSITION SHOWN AS SHIPPED



2 POSITION SHOWN CLOSED SCALE 8:1



- △ MATERIALS AND FINISH:
 - HOUSING: LCP, COLOR: NATURAL
 - CONTACTS: COPPER ALLOY, FINISH: Sn OVER Ni

2. COMPLY WITH DIRECTIVE 2002/95/EC (ROHS)
3. 18-24AWG SOLID OR STRANDED WIRE.
 PLEASE REFER TO APPLICATION SPEC 114-13266 FOR RECOMMENDED STRAND COUNT.
 18 AWG MAX INSULATION OD: 2.20
 20 AWG MAX INSULATION OD: 1.90
 22 AWG MAX INSULATION OD: 1.70
 24 AWG MAX INSULATION OD: 1.45
4. PACKAGE IN TAPE AND REEL PER EIA-481 SPECIFICATION

- △ WIRE SIZE MARKING IN APPROXIMATE LOCATION SHOWN.
- △ COLOR CODE MARKING, STRAIGHT LINE.
- △ ONE POSITION ASSEMBLY DOES NOT COMPLY WITH EIA 481 SPECIFICATION.

| | | | | |
|------------|-------|-----------|------|---------------|
| RED | 17.70 | 24 AWG | 4 | 3-2106489-4 |
| | 13.70 | 24 AWG | 3 | 3-2106489-3 |
| | 9.70 | 24 AWG | 2 | 3-2106489-2 |
| | 5.70 | 24 AWG | 1 | △ 3-2106489-1 |
| GREEN | 17.70 | 22 AWG | 4 | 2-2106489-4 |
| | 13.70 | 22 AWG | 3 | 2-2106489-3 |
| | 9.70 | 22 AWG | 2 | 2-2106489-2 |
| BLUE | 5.70 | 22 AWG | 1 | △ 2-2106489-1 |
| | 17.70 | 20 AWG | 4 | 1-2106489-4 |
| | 13.70 | 20 AWG | 3 | 1-2106489-3 |
| | 9.70 | 20 AWG | 2 | 1-2106489-2 |
| YELLOW | 5.70 | 20 AWG | 1 | △ 1-2106489-1 |
| | 17.70 | 18 AWG | 4 | 2106489-4 |
| | 13.70 | 18 AWG | 3 | 2106489-3 |
| | 9.70 | 18 AWG | 2 | 2106489-2 |
| COLOR CODE | DIM D | WIRE SIZE | POSN | PART NUMBER |
| | | | | |

THIS DRAWING IS A CONTROLLED DOCUMENT. DWN: C DAILY 11JUN2009
 CHK: O OSAGIE 11JUN2009

STE TE Connectivity

ASSEMBLY, IDC SSL CONNECTOR, THROUGH HOLE, CLOSED END

APVD: -
 PRODUCT SPEC: 108-2404
 APPLICATION SPEC: 114-13266
 WEIGHT: -

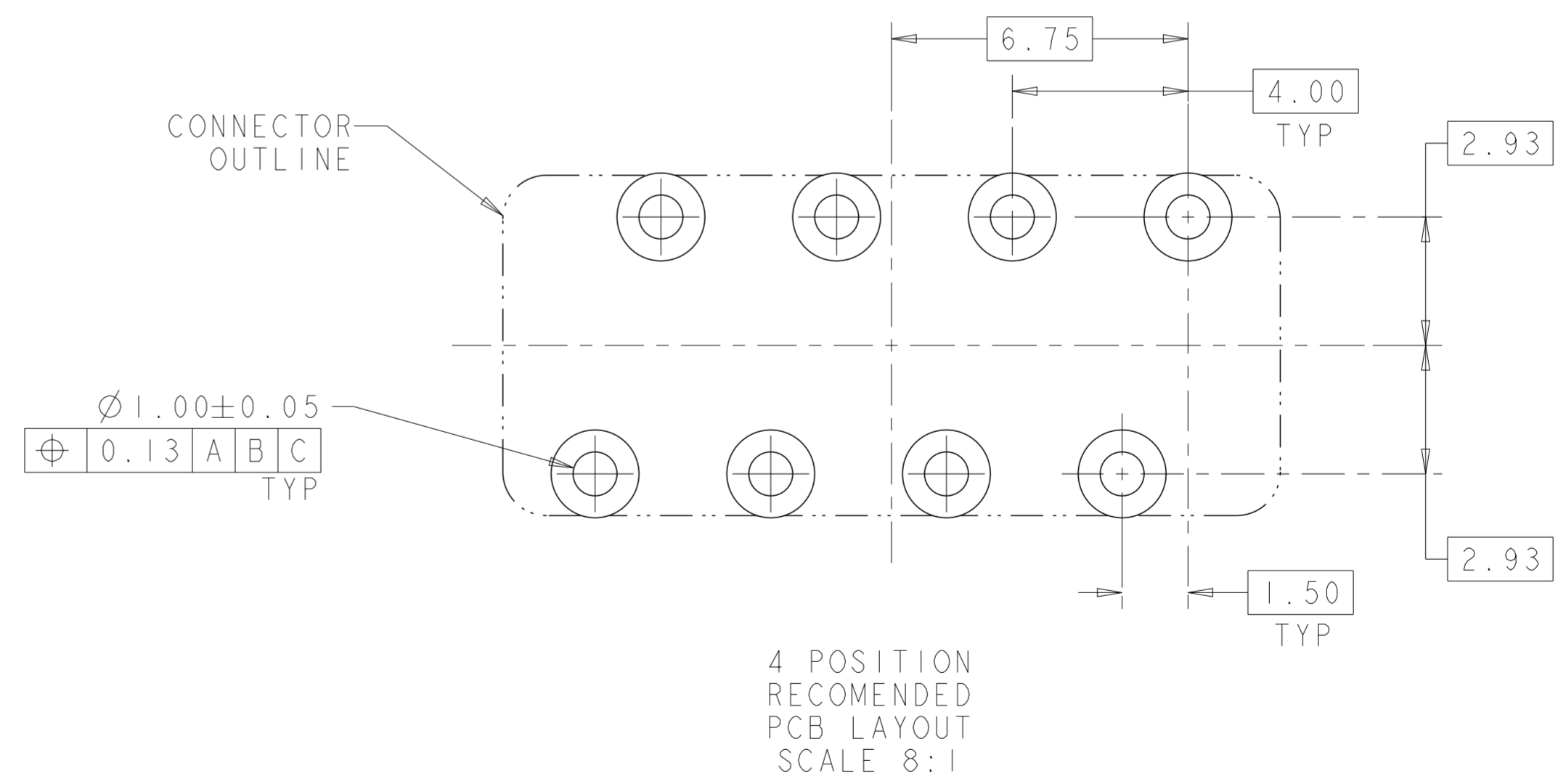
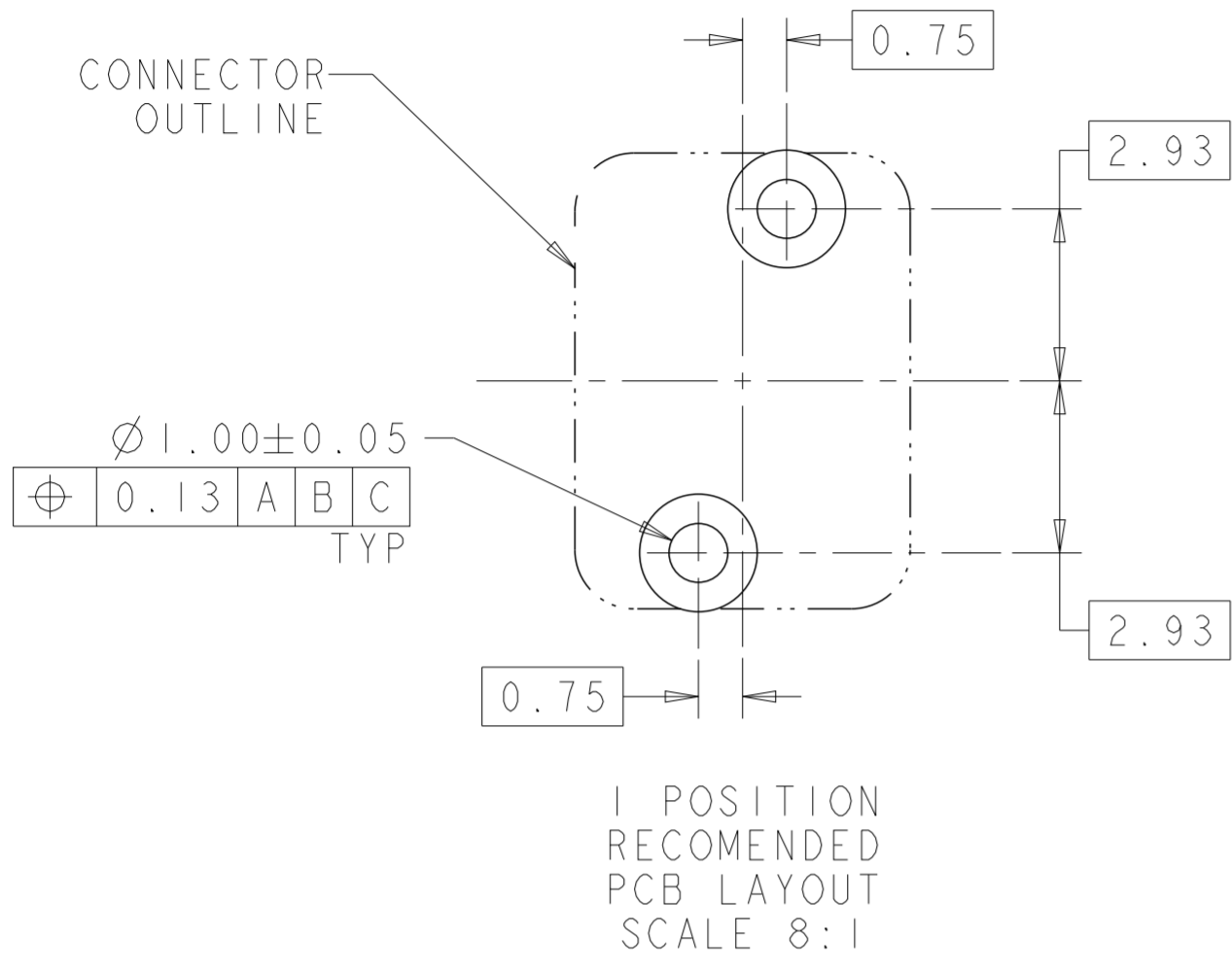
MATERIAL: △ - TOLERANCES UNLESS OTHERWISE SPECIFIED:
 0 PLC ±
 1 PLC ±0.5
 2 PLC ±0.13
 3 PLC ±
 4 PLC ±
 ANGLES ±
 FINISH △ -

NAME: -
 SIZE: A2 CAGE CODE: 00779 DRAWING NO: C-2106489 RESTRICTED TO: -
 SCALE: 8:1 SHEET 1 OF 3 REV C

Customer Drawing

THIS DRAWING IS UNPUBLISHED. RELEASED FOR PUBLICATION 20
 © COPYRIGHT 20 BY - ALL RIGHTS RESERVED.

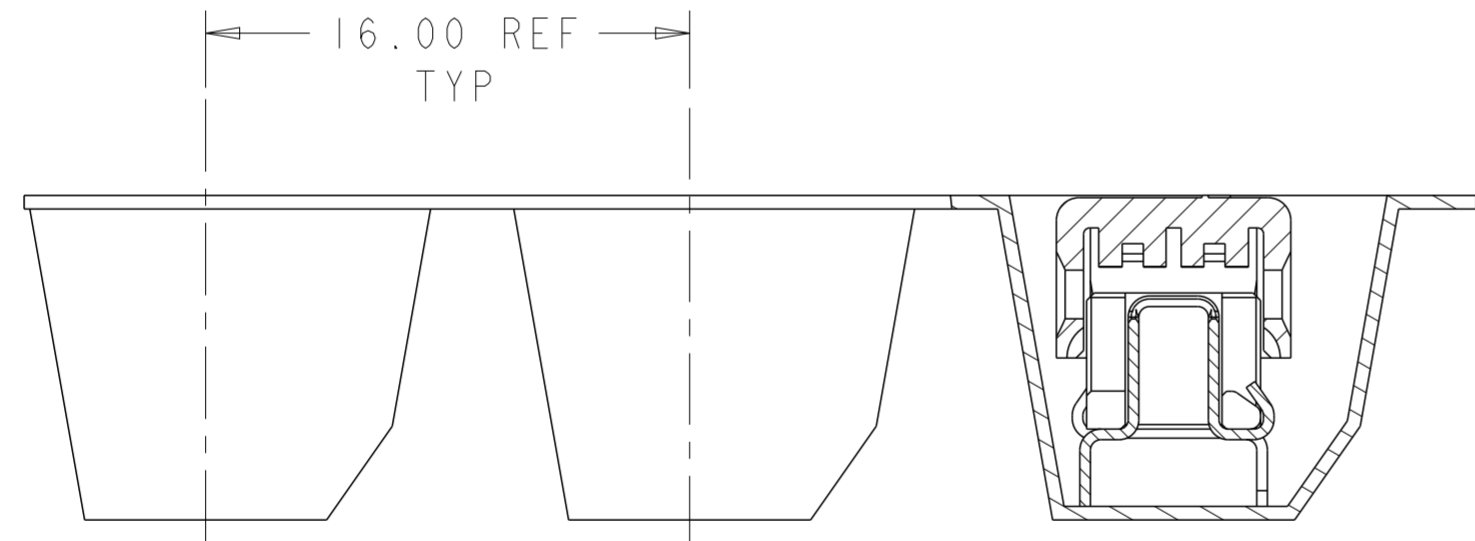
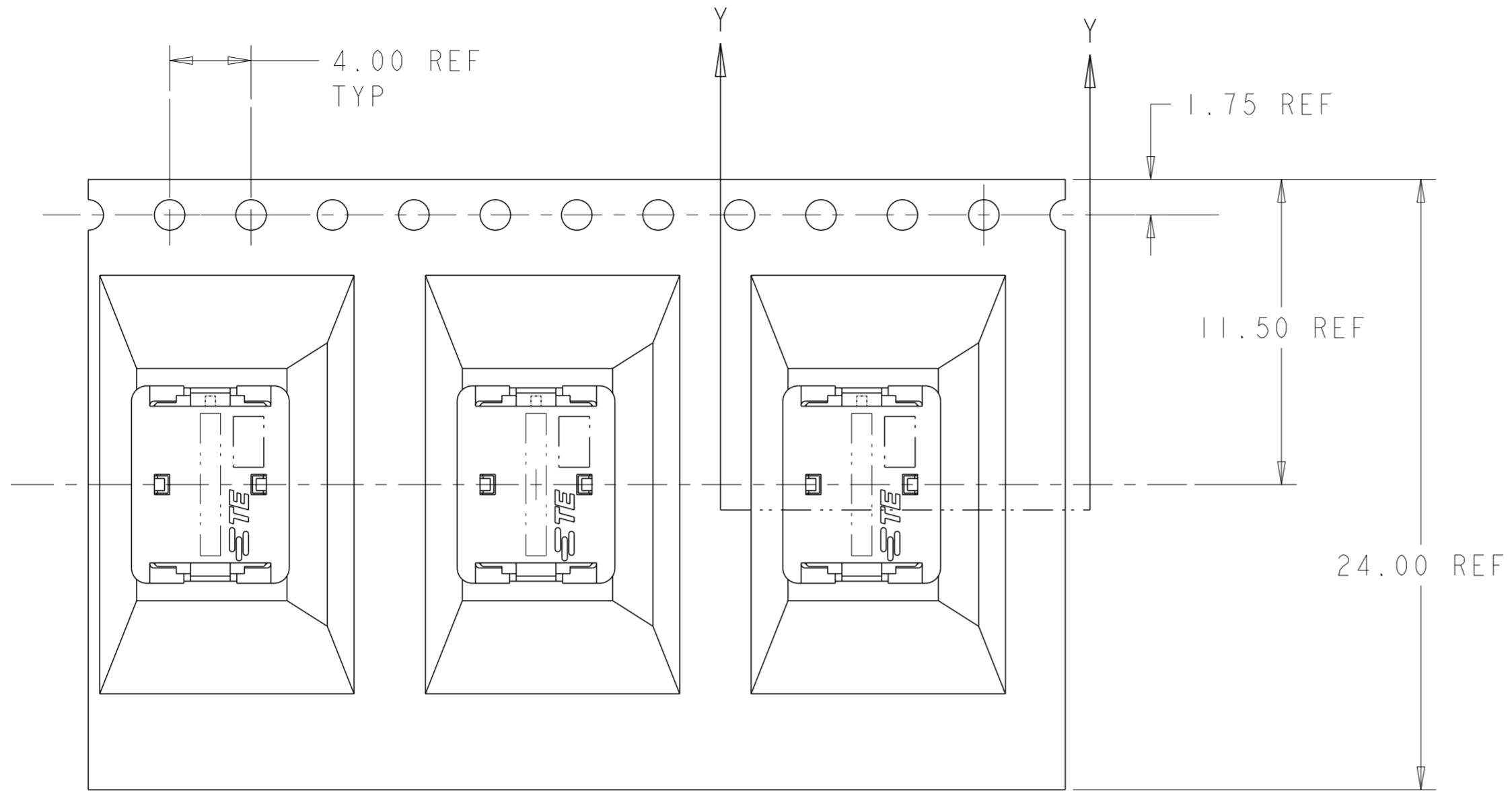
| LOC | | DIST | | REVISIONS | | | |
|-----|-----|-------------|--|-----------|-----|------|--|
| P | LTR | DESCRIPTION | | DATE | DWN | APVD | |
| - | - | SEE SHEET 1 | | - | - | - | |
| | | | | | | | |
| | | | | | | | |



| | | | | |
|--|--|--------------------------------|---|------------------------|
| THIS DRAWING IS A CONTROLLED DOCUMENT. | | DWN C DAILY 11 JUN 2009 | STE TE Connectivity | |
| | | CHK O QSAGIE 11 JUN 2009 | | |
| DIMENSIONS: | TOLERANCES UNLESS OTHERWISE SPECIFIED: | APVD - | NAME ASSEMBLY, IDC SSL CONNECTOR, THROUGH HOLE, CLOSED END | |
| mm | 0 PLC ± 1 PLC ±0.5 2 PLC ±0.13 3 PLC ± 4 PLC ± | PRODUCT SPEC 108-2404 | SIZE A200779 | CAGE CODE C-2106489 |
| MATERIAL | FINISH | APPLICATION SPEC 114-13266 | DRAWING NO | RESTRICTED TO |
| material_2 | finish_spec_2 | WEIGHT - | Customer Drawing | - |
| SCALE 8:1 | | | SHEET 1 OF 3 | REV C |


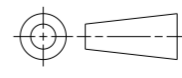
THIS DRAWING IS UNPUBLISHED. RELEASED FOR PUBLICATION 20
 © COPYRIGHT 20 BY - ALL RIGHTS RESERVED.

| LOC | | DIST | | REVISIONS | | | |
|-----|-----|-------------|--|-----------|-----|------|--|
| P | LTR | DESCRIPTION | | DATE | DWN | APVD | |
| - | - | SEE SHEET 1 | | - | - | - | |
| | | | | | | | |
| | | | | | | | |



SECTION Y-Y

2106489-2 SHOWN IN POCKET TAPE

| | | | | |
|---|--|--|---|---|
| THIS DRAWING IS A CONTROLLED DOCUMENT. | | DWN C DAILY 11 JUN 2009 |  TE Connectivity | |
| | | CHK O. OSAGIE 11 JUN 2009 | | |
| DIMENSIONS: mm | | TOLERANCES UNLESS OTHERWISE SPECIFIED: | | NAME ASSEMBLY, IDC SSL CONNECTOR, THROUGH HOLE, CLOSED END |
|  | | 0 PLC ± | 1 PLC ±0.5 | PRODUCT SPEC 108-2404 |
| MATERIAL material_2 | | 2 PLC ±0.13 | 3 PLC ± | APPLICATION SPEC 114-13266 |
| FINISH finish_spec_2 | | 4 PLC ± | ANGLES ± | WEIGHT - |
| | | Customer Drawing | | SIZE A2 |
| | | SCALE 8:1 | | CAGE CODE 00779 |
| | | SHEET 1 OF 3 | | DRAWING NO C-2106489 |
| | | REV C | | RESTRICTED TO - |

X-ON Electronics

Largest Supplier of Electrical and Electronic Components

Click to view similar products for [Lighting Connectors](#) category:

Click to view products by [TE Connectivity](#) manufacturer:

Other Similar products are found below :

[293300-7](#) [293660-5](#) [CNX_H03_NTP](#) [30-9767-BU](#) [3605](#) [3-21030-1](#) [ZCH-110-RGB-I](#) [503471-0290](#) [ZCH-110-RGB-J](#) [217-0716-200](#)
[1954563-1](#) [1-293657-2](#) [2834036-1](#) [2834037-1](#) [1-2213222-4](#) [2-2213222-4](#) [2213222-4](#) [2834122-3](#) [2834122-5](#) [2834135-2](#) [FLA-R4142-30](#)
[FLA-R4162-30](#) [FLA-R2142-30](#) [FLA-R2141-30](#) [FLA-R2162-30](#) [FLA-R2161-30](#) [FLA-R0161-30](#) [FLA-R0141-30](#) [FLA-R0142-30](#) [FLA-](#)
[R0162-30](#) [FLA-C00-00](#) [DGA00010553](#) [CNXV04NTP](#) [104128-0610](#) [503485-0000 \(Cut Strip\)](#) [503485-0000 \(Loose Piece\)](#) [503485-0000](#)
[\(MINI Reel\)](#) [1-2834074-2](#) [1-2834074-3](#) [1357-AC PLUG W2C \(CHINA\)](#) [1357-AC PLUG W2 \(USA\)](#) [104266-0110](#) [CNXV02NTP](#) [2106212-1](#)
[2-2834074-2](#) [104266-0210](#) [293470-1](#) [293651-2](#) [293651-4](#) [1-2834006-2](#)