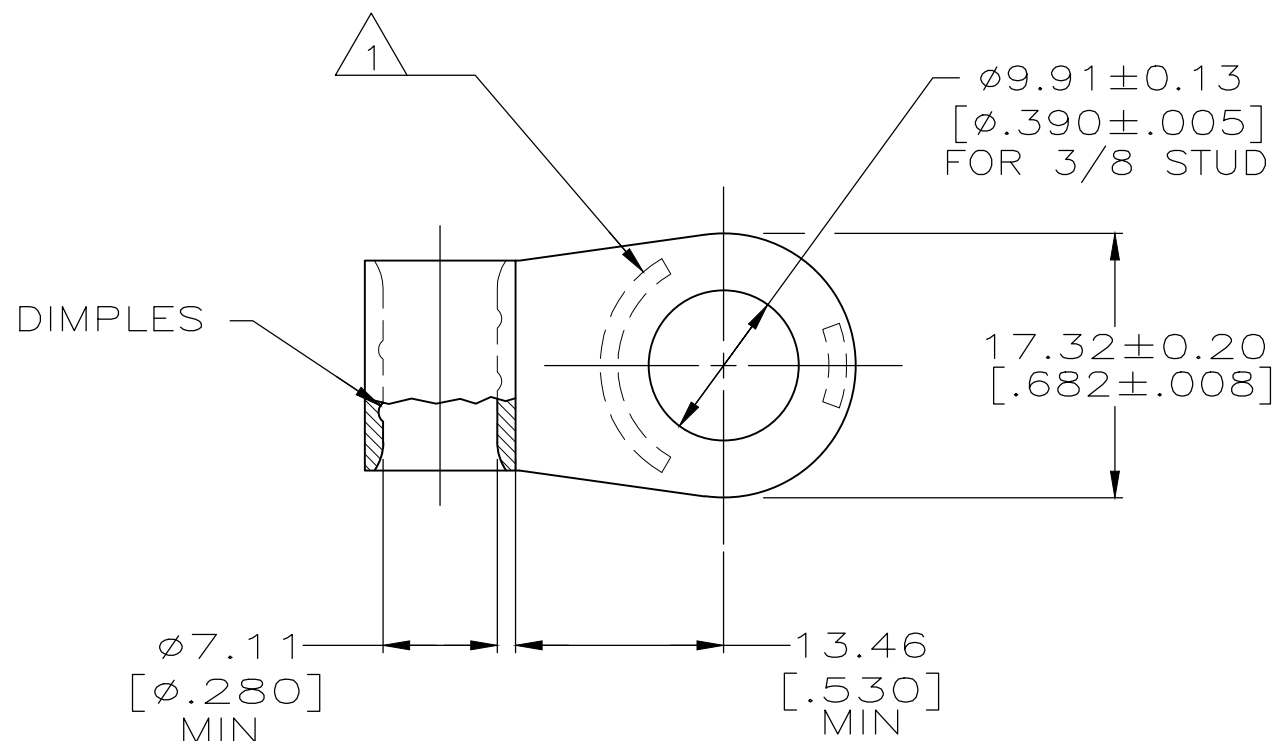


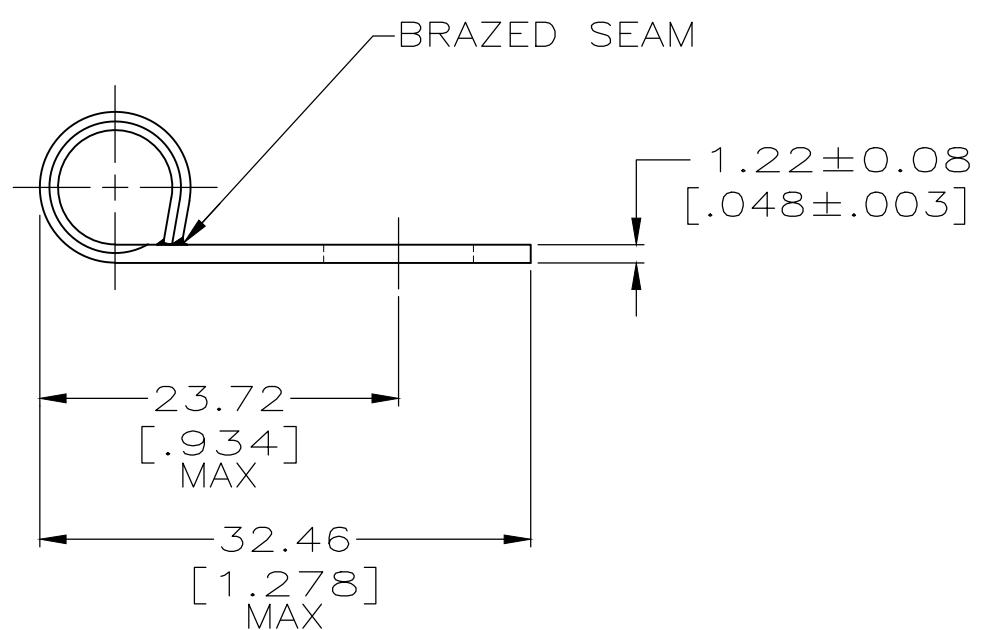
THIS DRAWING IS UNPUBLISHED. RELEASED FOR PUBLICATION
 © COPYRIGHT - By - ALL RIGHTS RESERVED.

REVISIONS					
P	LTR	DESCRIPTION	DATE	DWN	APVD
C1		REVISED PER ECO-10-020469	09OCT10	HMR	DR
C2		REVISED PER ECR-17-001490	07FEB2017	RS	DR



AMP WIRE RANGE	E13288 Listed
4 AWG SOLID OR STRANDED	4 AWG STRANDED
LR7189 Certified	MILITARY P/N AND CLASS
4 AWG SOLID OR STRANDED	NOT APPLICABLE

- 1 STAMP AMP 4W* 40-50 APPROX AS SHOWN.
- 2 FINISH: TIN PLATE 0.00254[.000100] MIN EXT THK PER ASTM B545.
- 3 FINISH: NICKEL PLATE 0.00762[.000300] MIN EXT THK PER SAE AMS QQ-N-290.



PRELIMINARY	100	LOOSE PIECE	3	343°C [649°F]	1-321121-0
	100	LOOSE PIECE	2	170°C [338°F]	321121
	QTY	PACKAGE TYPE	FINISH	RECOMMENDED OPERATING TEMPERATURE	AMP PART NUMBER

AMP INCORPORATED
CUSTOMER SERVICE SYSTEMS

FOR ADDITIONAL PRODUCT INFORMATION OR COPIES OF DRAWINGS AND TECHNICAL DOCUMENTS	PRODUCT INFORMATION CENTER 1-800-522-6752	RECOMMENDED OPERATING TEMPERATURE: SEE TABLE
FOR APPLICATION TOOLING INFORMATION	TOOLING ASSISTANCE CENTER 1-800-722-1111	VOLTAGE RATING: NOT APPLICABLE
FOR ORDER ENTRY	1-800-526-5142	WIRE CROSS SECTIONAL AREA RANGE: 16.8-26.7mm ² [33,100-52,600] CIR MILS SOLID OR STRANDED

THIS DRAWING IS A CONTROLLED DOCUMENT.

DIMENSIONS: mm [INCHES]	TOLERANCES UNLESS OTHERWISE SPECIFIED:
	0 PLC ± -
	1 PLC ± -
	2 PLC ± 0.20[.008]
	3 PLC ± -
	4 PLC ± -
	ANGLES ± -
MATERIAL COPPER PER ASTM B-152 ANNEALED	FINISH SEE TABLE

DWN DK SCHRUM 15OCT97
 CHK MJ SPICER 15OCT97
 APVD JL MECKLEY 15OCT97

STE TE Connectivity

NAME: TERMINAL, RING TONGUE, FLAG, SOLISTRAND™ AND STRATO-THERM 4 AWG.

SIZE	CAGE CODE	DRAWING NO	RESTRICTED TO
A3	00779	C-321121	-

CUSTOMER DRAWING SCALE 2:1 SHEET 1 OF 1 REV C2

X-ON Electronics

Largest Supplier of Electrical and Electronic Components

Click to view similar products for [Terminals](#) category:

Click to view products by [TE Connectivity](#) manufacturer:

Other Similar products are found below :

[00-054007-01074-6](#) [00-054007-70206-1](#) [00-054007-70210-8](#) [00-054007-70217-7](#) [00-054007-70226-9](#) [00-054007-70228-3](#) [00-054007-70248-1](#) [00-054007-70256-6](#) [00-054007-70301-3](#) [00-054007-70316-7](#) [00-054007-49560-4](#) [00-054007-70209-2](#) [00-054007-70225-2](#) [00-054007-70227-6](#) [00-054007-70231-3](#) [00-054007-70241-2](#) [00-054007-70242-9](#) [00-054007-70244-3](#) [00-054007-70246-7](#) [00-054007-70263-4](#) [00-054007-70288-7](#) [00-054007-70290-0](#) [00-054007-70300-6](#) [00-054007-70304-4](#) [01-2065-1-0216](#) [01-2900-1-04412](#) [00581P0075](#) [600TS-10](#) [60205-1](#) [604200-1](#) [605601-1](#) [60598-1-CUT-TAPE](#) [61314-6-C](#) [61810-3](#) [61-S](#) [61-SN](#) [626-0194](#) [62-NBM-A](#) [62-SN](#) [62-SP](#) [63-S](#) [640179-1](#) [M55155/059I03](#) [M55155/079C01](#) [M55155/099H02](#) [M55155/109H01](#) [M55155/109H02](#) [M55155/12XH05](#) [M55155/16XH02](#) [M55155/29-5S](#)