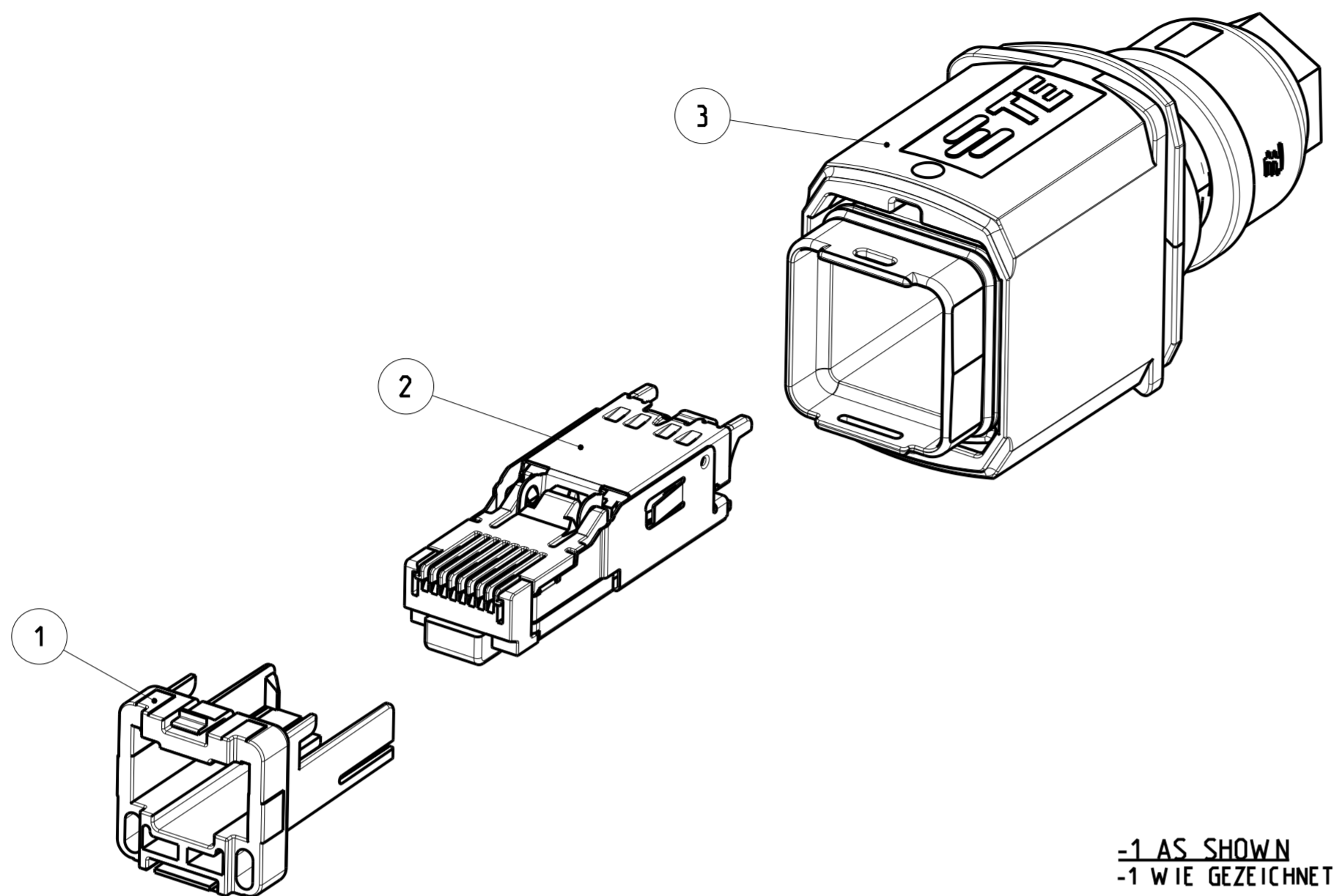


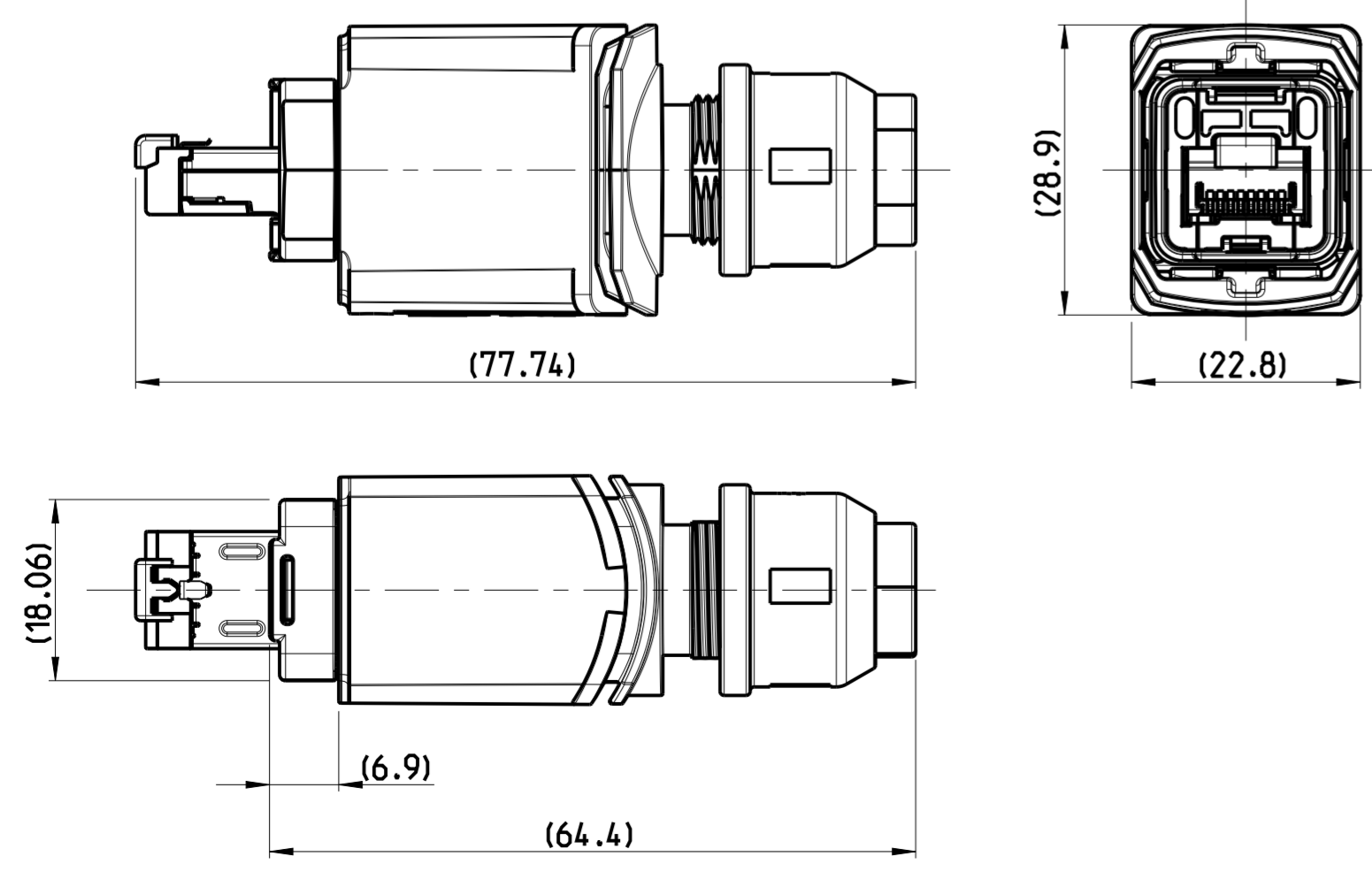
REVISIONS		DATE	DWN	APVD
NO.	DESCRIPTION			
A1	DRAWING ACTIVATED	18JUN2014	ER	CS
A2	VARIANT 1--1 ADDED	29MAR2016	ER	MS
B1	PCN :E-20-007322	16DEC2020	SS	MSZ
B2	PCN E-20-002171	08MAR2021	SS	JDB



-1 AS SHOWN
-1 WIE GEZEICHNET

- ⚠ MOUNTING-CYCLE:
- APPLICATION SEE INSTRUCTION SHEET 411-18564
- 2 PACKAGING:
- CONNECTOR SET PACKED INTO BLISTER PACKAGE.
- BLISTER PACKAGE PACKED INTO CARTON
- 3 RJ45 APPLICATION ACC. IEC 60076-3-117 AND INTERFACE DIM.
- ⚠ NOT SHOWN
- ⚠ MONTAGE:
- VERARBEITUNG SIEHE MONTAGEANWEISUNG 411-18564
- 2 VERPACKUNG:
- STECKER SET IN BLISTERVERPACKUNG VERPACKT
- BLISTERVERPACKUNG TRAY IN KARTON VERPACKT
- 3 RJ45 ANWENDUNG NACH IEC 60076-3-117 UND SCHNITTSTELLENMASSE
- ⚠ NICHT DARGESTELLT

DIMENSION IN ASSEMBLED CONDITION
MASSE IM ASSEMBLIERTEN ZUSTAND
SCALE / M 3:2



Size ISO 14405 (E)

		2120864-1		TE ORDER-NO. BESTELL-NR.	
-	-	1	5	BLISTER PACKAGE BLISTERVERPACKUNG	⚠
-	-	1	4	INSTRUCTION SHEET MONTAGEANWEISUNG	⚠
-	-	1	3	PUSH PULL. SUB-ASSY PUSH PULL. SUB-ASSY	3-5 μm Ni OVER 8 μm Cu
-	-	1	2	COMMON CORE ASSY 8POS.. GIGABIT GEM. KERN ASSY 8POL.. GIGABIT	ZPO4.10 DIN 12833
-	-	1	1	ADAPTER RJ45, CAT5e PLUG, VARIANT 14 ADAPTER RJ45, CAT5e STECKER, VARIANTE 14	BLACK SCHWARZ
QUANTITY STUECK		ITEM-NO. POS.	DESCRIPTION BENENNUNG		SURFACE OBERFLAECHE
					MATERIAL
					C OLOUR/FARBE

THIS DRAWING IS A CONTROLLED DOCUMENT. DIMENSIONING AND TOLERANCING PER GPS (ISO STANDARDS).

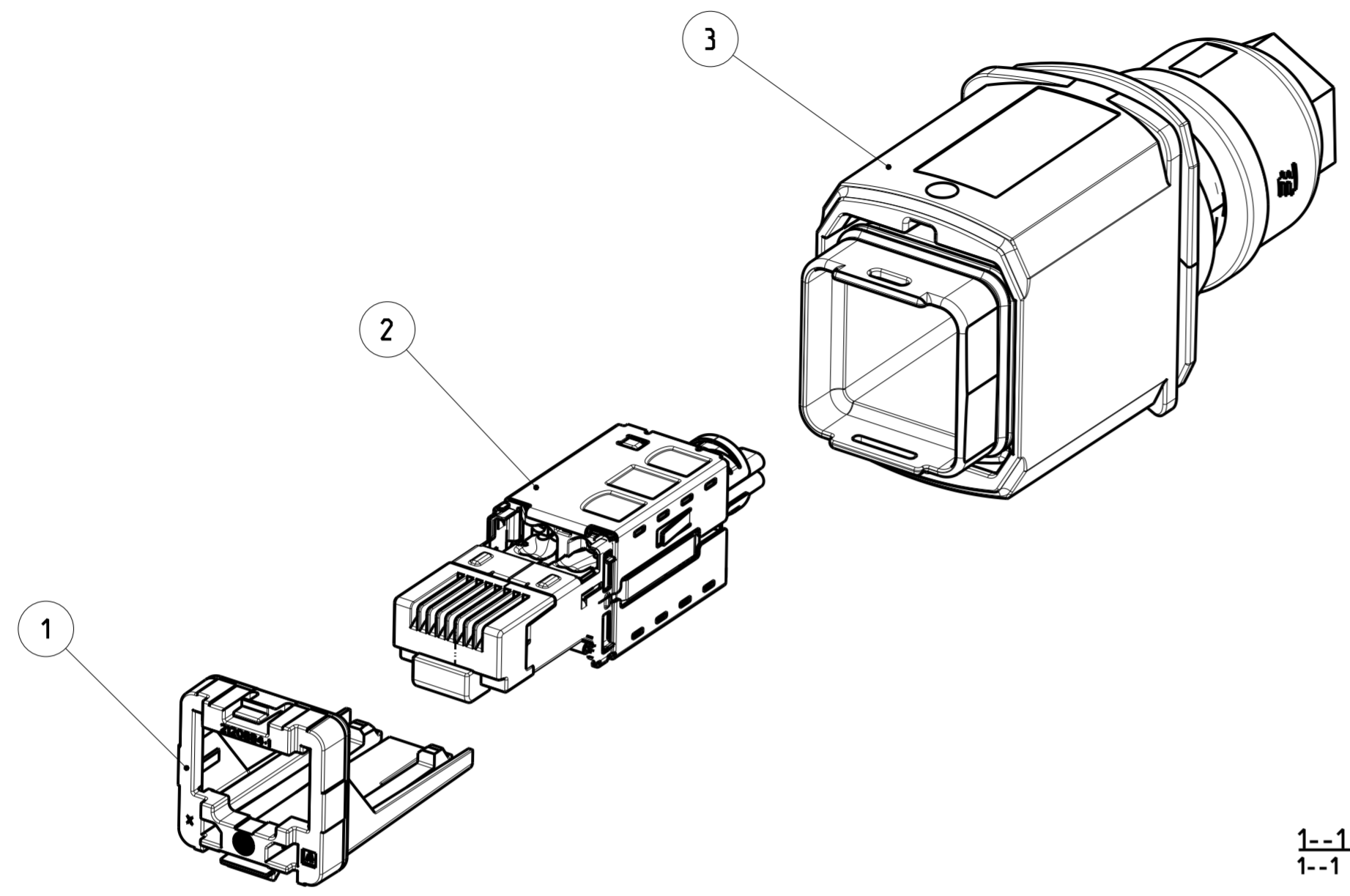
DIMENSIONS: MASSE/MASSSTAB: [mm]	TOLERANCES UNLESS OTHERWISE SPECIFIED: ALLGEMEINTOLERANZEN	DWN S. HASS 20SEP2013	<p>TE Connectivity</p>
	0 PLC ±0.2 1 PLC ±0.2 2 PLC ±0.2 3 PLC ± 4 PLC ± ANGLES/WINKEL ±2° FINISH/OBERFLAECHE/FARBE	CHK M. STRELOW 20SEP2013	
MATERIAL		APVD C. SCHRETTLINGER 20SEP2013	

PRODUCT SPEC 108-94207	NAME VARIANT 14. PLUG METAL VARIANTE 14. PLUG METALL RJ45, CAT5e, 8POS. GIGABIT
APPLICATION SPEC VERARBEITUNGSSPEZ.	SIZE A2
WEIGHT 78.6g	CAGE CODE 00779
Customer Drawing	DRAWING NO. ZEICHNUNGS-NR. C-2120864

RESTRICTED TO MUR FUER -

SCALE MASSSTAB 2:1 SHEET BLATT 1 OF 5 REV B2

REVISIONS		DATE	DWN	APVD
AMENDUNGEN	DESCRIPTION			
ÄNDERUNGEN	BESCHREIBUNG			
P	LTR			
-	SEE SHEET 1	-	-	-

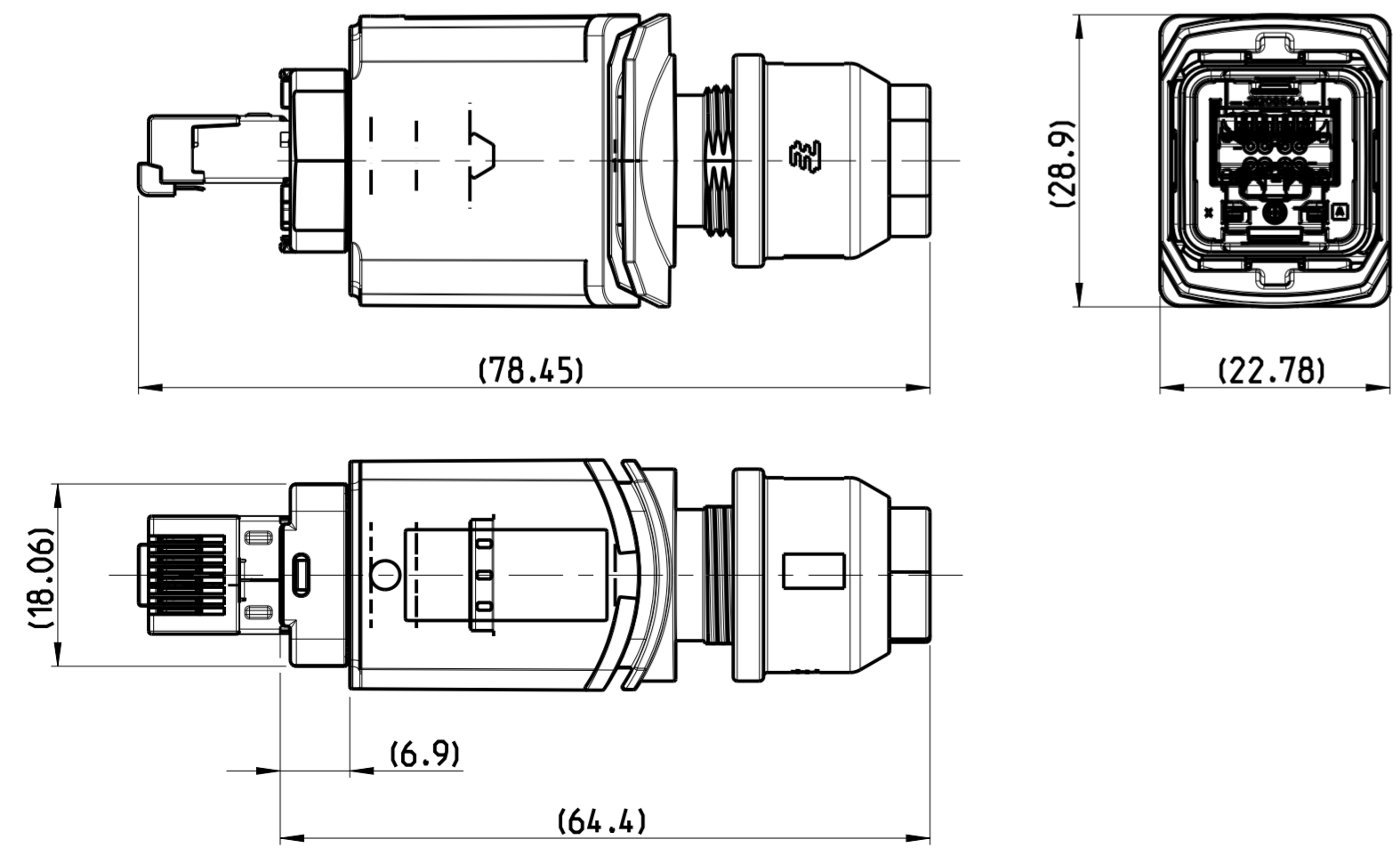


1--1 AS SHOWN
1--1 WIE GEZEICHNET

- ⚠ **MOUNTING-CYCLE:**
- APPLICATION SEE INSTRUCTION SHEET 411-18566
- 2 **PACKAGING:**
- CONNECTOR SET PACKED INTO BLISTER PACKAGE.
- BLISTER PACKAGE PACKED INTO CARTON
- 3 RJ45 APPLICATION ACC. IEC 60076-3-117 AND INTERFACE DIM.
- ⚠ **NOT SHOWN**

- ⚠ **MONTAGE:**
- VERARBEITUNG SIEHE MONTAGEANWEISUNG 411-18566
- 2 **VERPACKUNG:**
- STECKER SET IN BLISTERVERPACKUNG VERPACKT
- BLISTERVERPACKUNG TRAY IN KARTON VERPACKT
- 3 RJ45 ANWENDUNG NACH IEC 60076-3-117 UND SCHNITTSTELLENMASSE
- ⚠ **NICHT DARGESTELLT**

DIMENSION IN ASSEMBLED CONDITION
MASSE IM ASSEMBLIERTEN ZUSTAND
SCALE / M 3:2



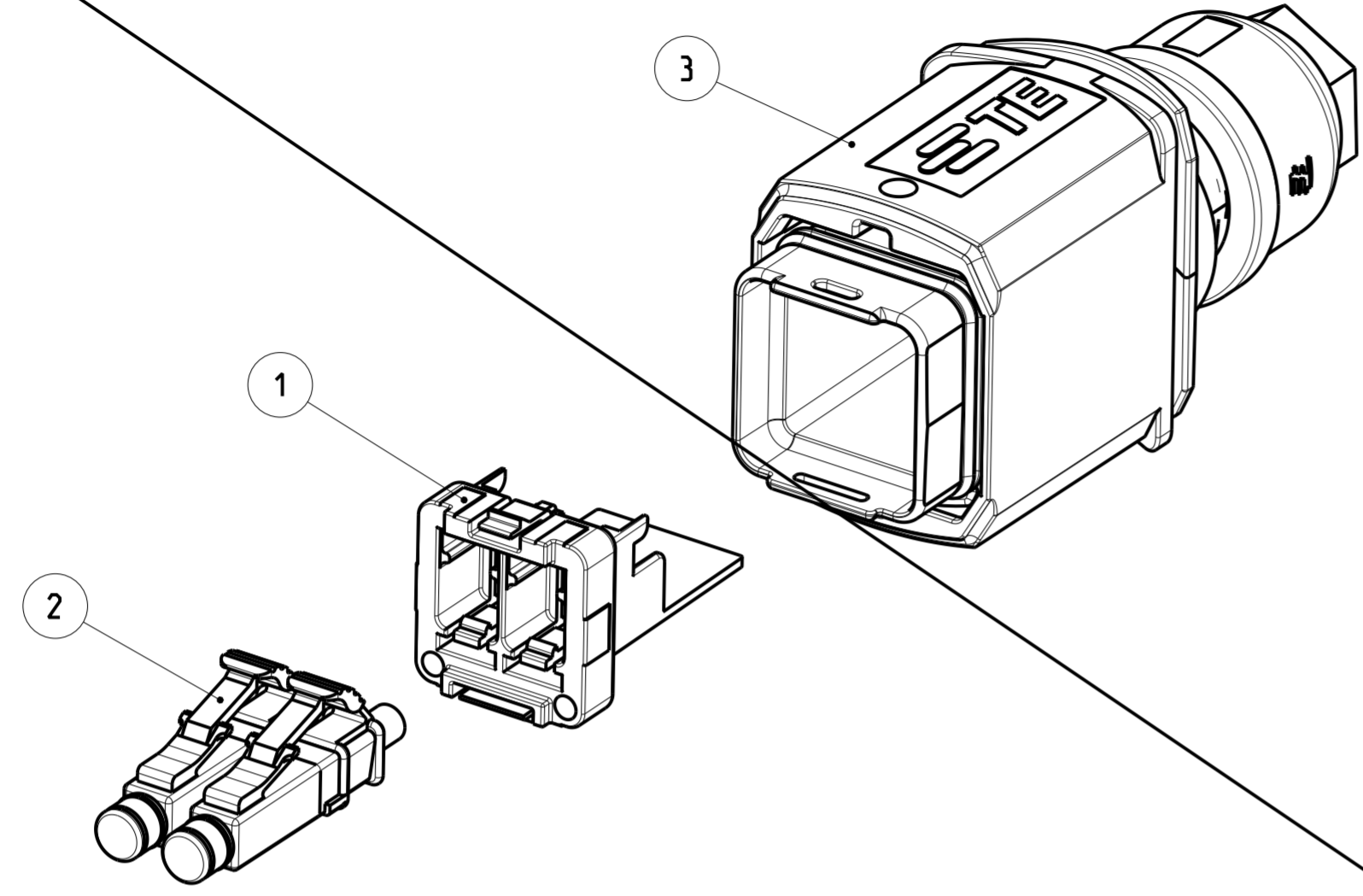
Size ISO 14405 (E)

QUANTITY STUECK	ITEM-NO. POS.	DESCRIPTION BENENNUNG	TE ORDER-NO. BESTELL-NR.	SURFACE OBERFLAECHE COLOUR/FARBE	MATERIAL
-	-	1 5 BLISTER PACKAGE BLISTERVERPACKUNG	1-2120864-1	-	-
-	-	1 4 INSTRUCTION SHEET MONTAGEANWEISUNG		-	-
-	-	1 3 PUSH PULL, SUB-ASSY PUSH PULL, SUB-ASSY		3-5 µm Ni OVER Ø µm Cu	ZP04.10 DIN 12833
-	-	1 2 COMMON CORE ASSY 8POS.. CAT6A GEM. KERN ASSY 8POL.. CAT6A		-	-
-	-	1 1 ADAPTER RJ45, CAT6A PLUG, VARIANT 14 ADAPTER RJ45, CAT6A STECKER, VARIANTE 14		BLACK SCHWARZ	PBT-GF20

THIS DRAWING IS A CONTROLLED DOCUMENT.
DIMENSIONING AND TOLERANCING PER GPS (ISO STANDARDS).

DIMENSIONS: MASSE/MAßSTÄBE: [mm]	TOLERANCES UNLESS OTHERWISE SPECIFIED: ALLGEMEINTOLERANZEN	DWN S. HASS 20SEP2013	<p>TE Connectivity</p>
		CHK M. STRELOW 20SEP2013	
		APVD C. SCHRETLINGER 20SEP2013	
		NAME VARIANT 14, PLUG METAL VARIANTE 14, PLUG METALL RJ45, CAT6A, 8POS.	
MATERIAL		PRODUCT SPEC 108-94207	SIZE A2
		APPLICATION SPEC VERARBEITUNGSSPEZ.	CAGE CODE 00779
		ANGLES/WINKEL FINISH/OBERFLAECHE/FARBE	DRAWING NO. ZEICHNUNGS-NR. C-2120864
		WEIGHT GEWICHT 83.0g	RESTRICTED TO NUR FÜR -
		Customer Drawing	SCALE MAßSTAB 2:1
			SHEET BLATT 2 OF 5
			REV B2

P	LTR	REVISIONS ÄNDERUNGEN DESCRIPTION BESCHREIBUNG	DATE	DWH	APVD
-	SEE SHEET 1				

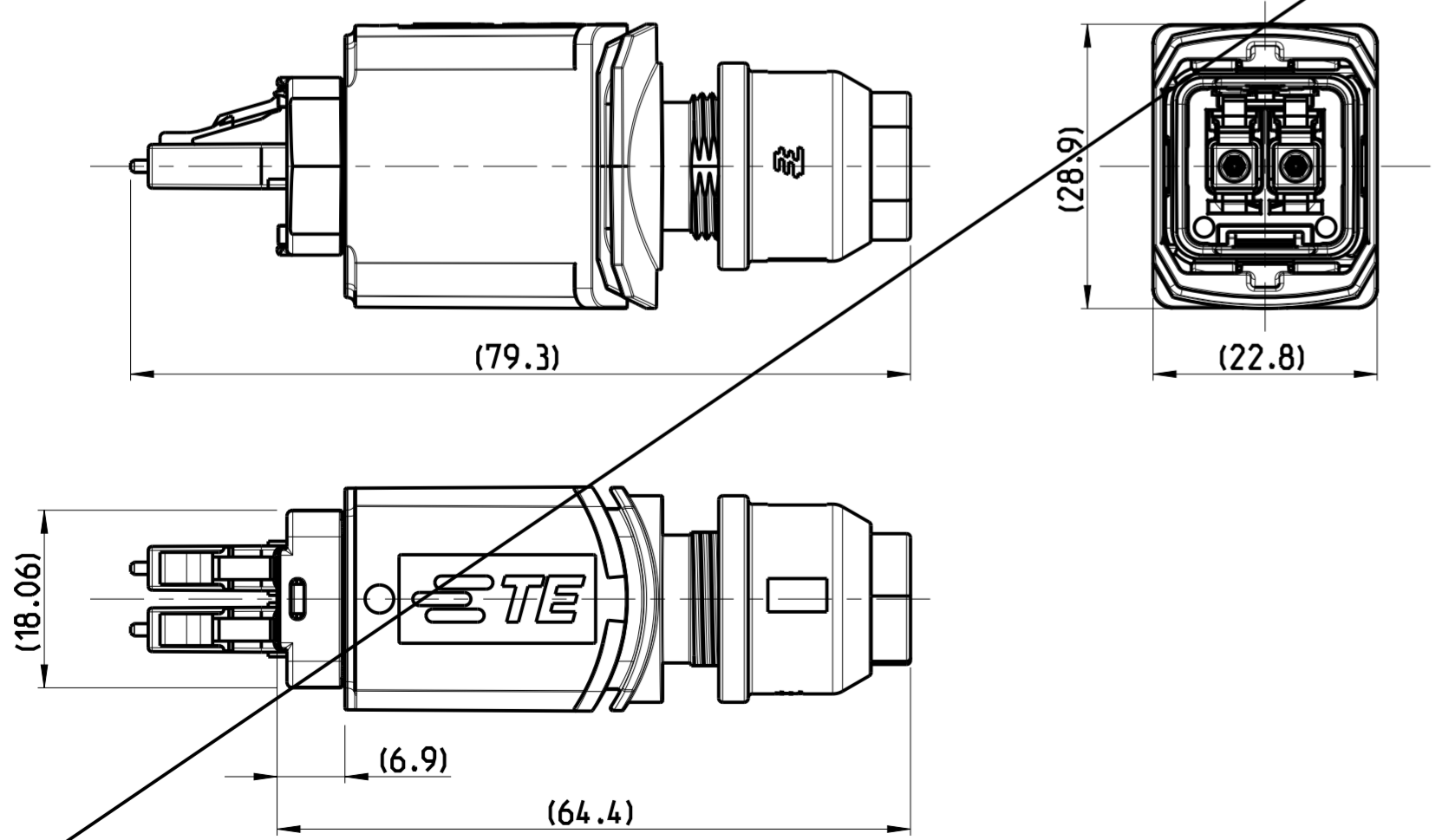


2--1 AS SHOWN
2--1 WIE GEZEICHNET

- 1 MOUNTING-CYCLE:
- APPLICATION SEE INSTRUCTION SHEET 411-18565
 - 2 PACKAGING:
- CONNECTOR SET PACKED INTO BLISTER PACKAGE
- BLISTER PACKAGE PACKED INTO CARTON
 - 3 CONNECTOR APPLICATION ACC. INSTRUCTION SHEET 408-8925
 - 4 NOT SHOWN
-
- 1 MONTAGE:
- VERARBEITUNG SIEHE MONTAGEANWEISUNG 411-18565
 - 2 VERPACKUNG:
- STECKER SET IN BLISTERVERPACKUNG VERPACKT
- BLISTERVERPACKUNG IN KARTON VERPACKT
 - 3 STECKVERBINDER MONTAGE NACH ARBEITSANWEISUNG 408-8925
 - 4 NICHT DARGESTELLT

OBSOLETE

DIMENSION IN ASSEMBLED CONDITION
MASSE IM ASSEMBLIERTEN ZUSTAND
SCALE / M 3:2

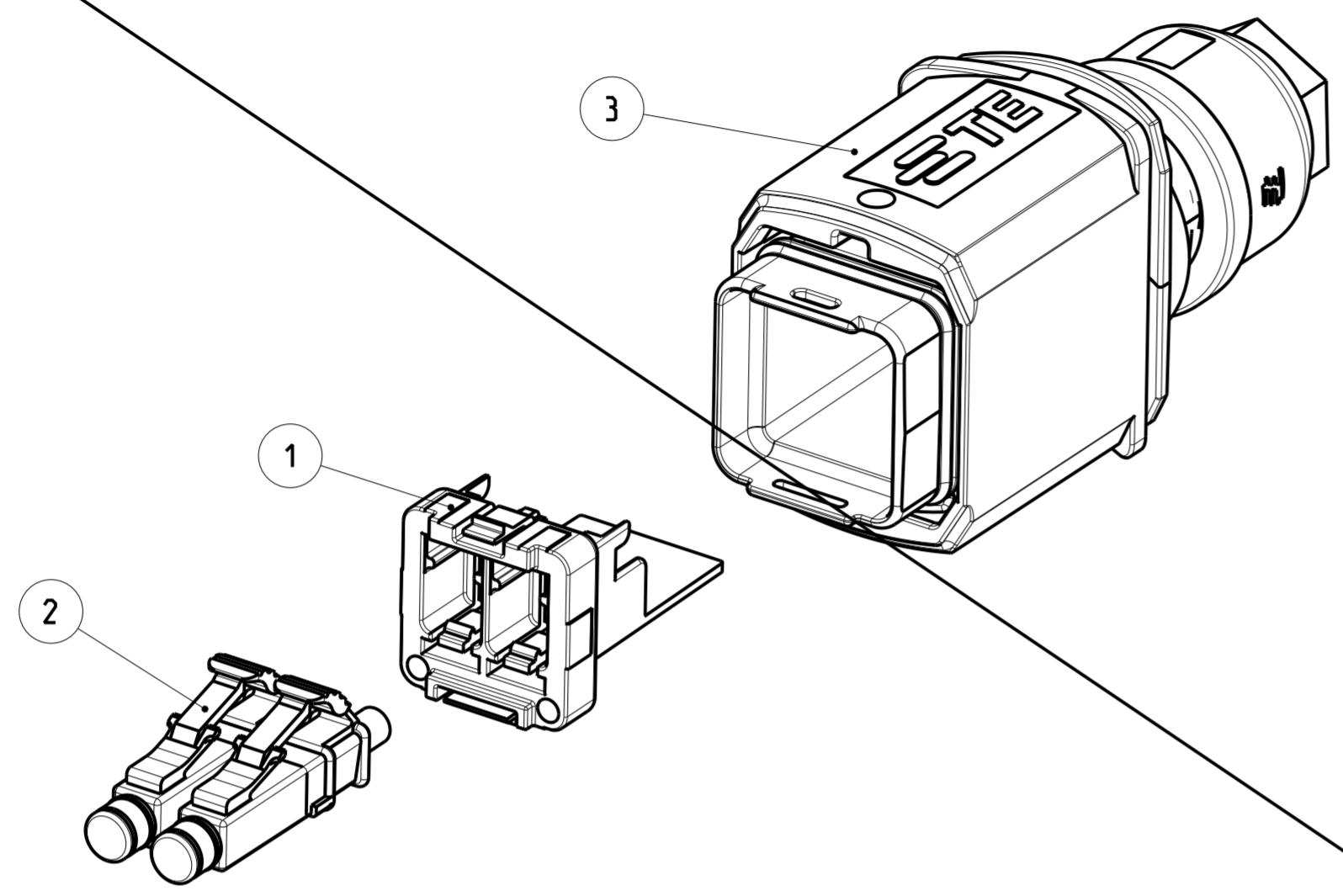


Size ISO 14405 (E)

QUANTITY STÜCK		ITEM-NO. POS.	DESCRIPTION BENENNUNG	SURFACE OBERFLÄCHE COLOUR/FARBE	MATERIAL
-	-	1	5 BLISTER PACKAGE BLISTERVERPACKUNG	-	-
-	-	1	4 INSTRUCTION SHEET MONTAGEANWEISUNG	-	-
-	-	1	3 PUSH PULL. SUB-ASSY PUSH PULL. SUB-ASSY	3-5 µm Ni OVER 8 µm Cu	ZP0410 DIN 12833
-	-	2	2 CONNECTOR ASSEMBLY ONE-PIECE LC. SINGLE MODE GLASFASERVERBINDER. LC. SINGLEMODE	BLUE BLAU	-
-	-	1	1 ADAPTER FIBER OPTIC PLUG. VARIANTE 14 ADAPTER FIBER OPTIC STECKER. VARIANTE 14	BLACK SCHWARZ	PBT-GF20

THIS DRAWING IS A CONTROLLED DOCUMENT. DIMENSIONING AND TOLERANCING PER GPS (ISO STANDARDS).		DWH S. HASS 20SEP2013	<p>TE Connectivity</p>
DIMENSIONS: MASSE/WEITEN: IT/III		CHK M. STRELOW 20SEP2013	
TOLERANCES UNLESS OTHERWISE SPECIFIED: ALLGEMEINTOLERANZEN		APVD C. SCHREITLINGER 20SEP2013	
0 PLC ±0.2 1 PLC ±0.2 2 PLC ±0.2 3 PLC ± 4 PLC ± ANGLES/WINKEL ±2° FINISH/OBERFLÄCHE/FARBE		NAME VARIANTE 14. PLUG METAL VARIANTE 14. PLUG METAL FIBER OPTIC. LC. SINGLE MODE (BLUE)	
MATERIAL	-	WEIGHT GEWICHT 74.9g	RESTRICTED TO MUR FUER
Customer Drawing		SCALE MASSSTAB 2:1	SHEET BLATT 3 OF 5 REV B2

P	LTR	REVISIONS ÄNDERUNGEN DESCRIPTION BESCHREIBUNG	DATE	DWH	APVD
-	-	SEE SHEET 1	-	-	-

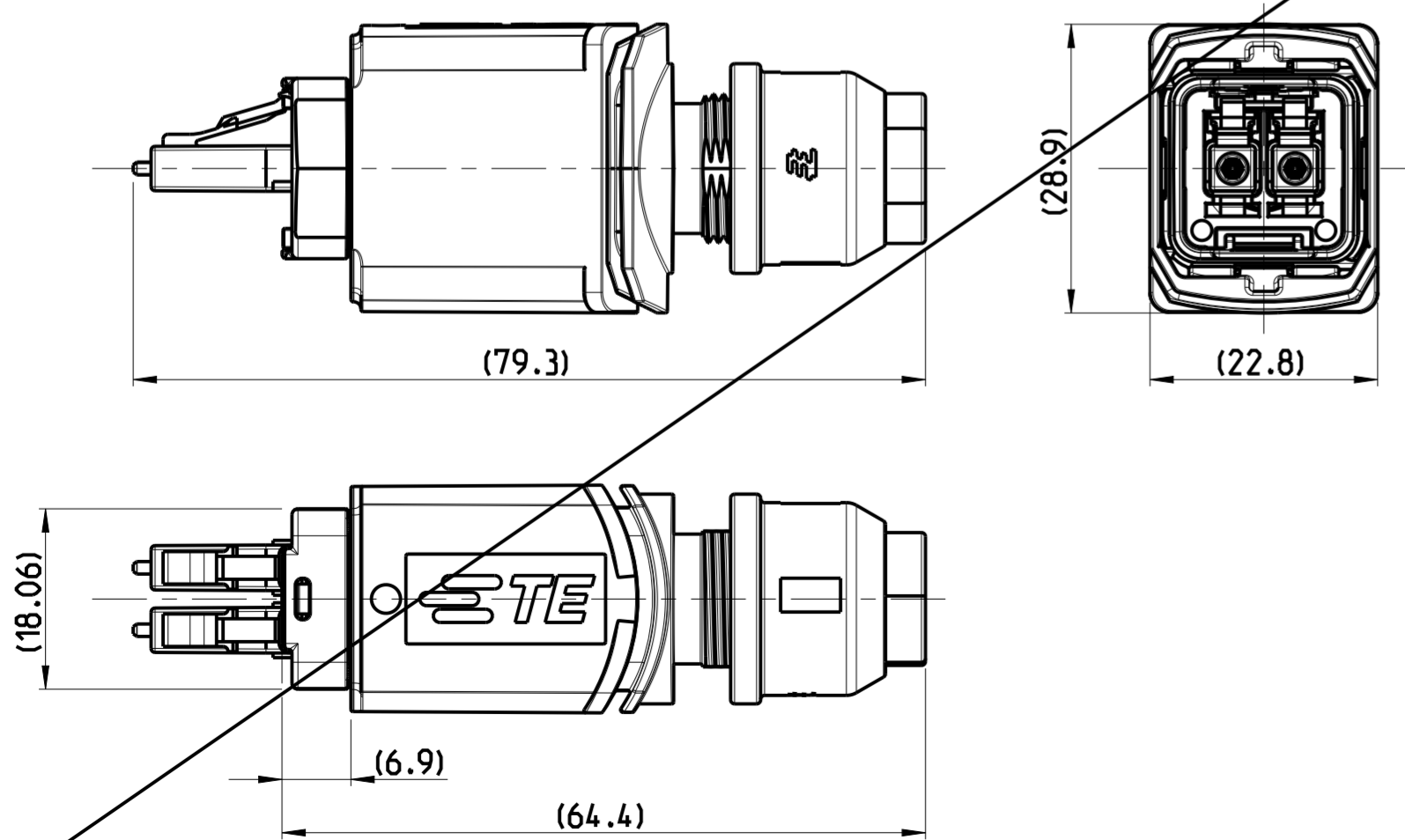


- 1 MOUNTING-CYCLE:
- APPLICATION SEE INSTRUCTION SHEET 411-18565
 - 2 PACKAGING:
- CONNECTOR SET PACKED INTO BLISTER PACKAGE
- BLISTER PACKAGE PACKED INTO CARTON
 - 3 CONNECTOR APPLICATION ACC. INSTRUCTION SHEET 408-8925
 - 4 NOT SHOWN
-
- 1 MONTAGE:
- VERARBEITUNG SIEHE MONTAGEANWEISUNG 411-18565
 - 2 VERPACKUNG:
- STECKER SET IN BLISTERVERPACKUNG VERPACKT
- BLISTERVERPACKUNG IN KARTON VERPACKT
 - 3 STECKVERBINDER MONTAGE NACH ARBEITSANWEISUNG 408-8925
 - 4 NICHT DARGESTELLT

3-1 AS SHOWN
3-1 WIE GEZEICHNET

OBSOLETE

DIMENSION IN ASSEMBLED CONDITION
MASSE IM ASSEMBLIERTEN ZUSTAND
SCALE / M 3:2

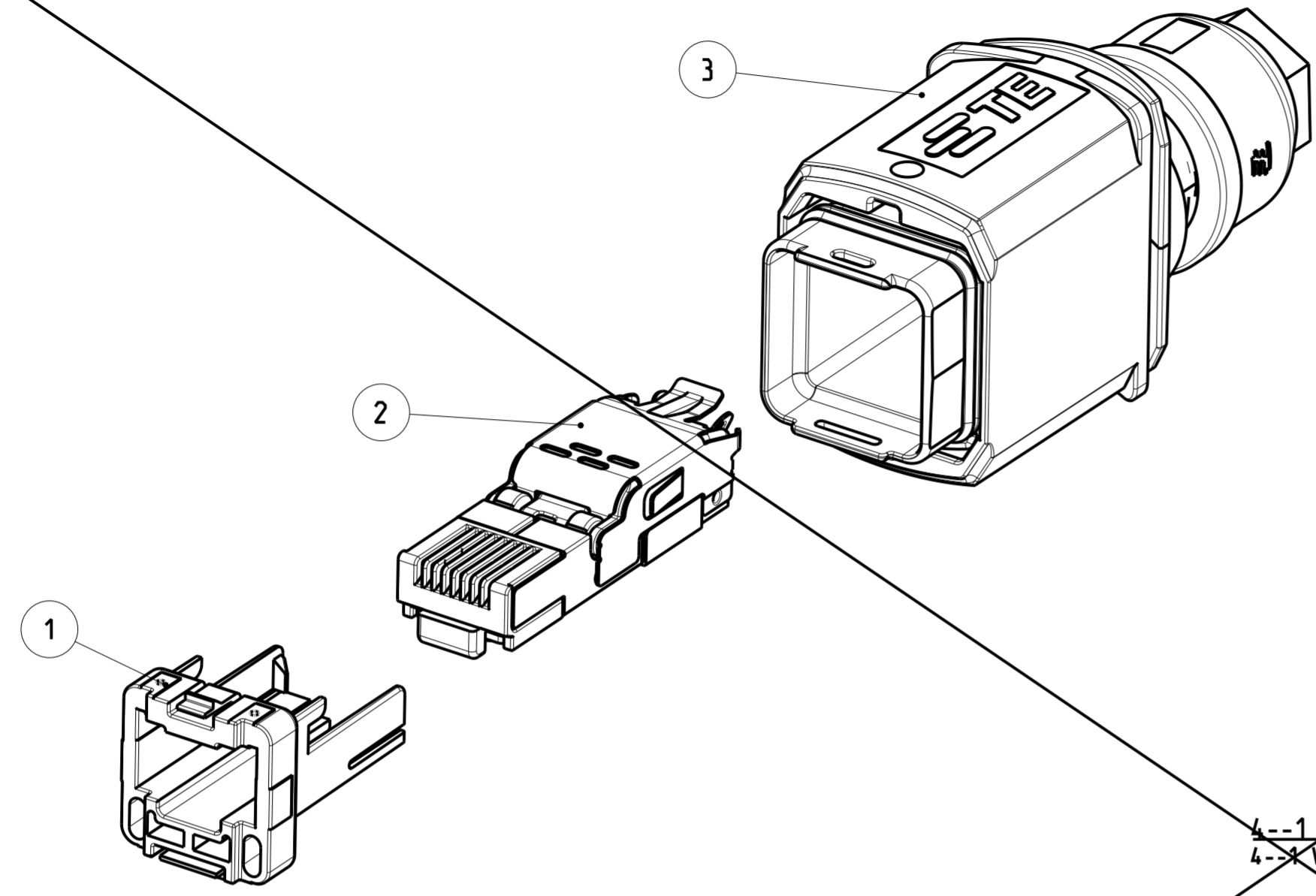


QUANTITY STÜCK	ITEM-NO. POS.	DESCRIPTION BENENNUNG	SURFACE OBERFLÄCHE COLOUR/FARBE	MATERIAL
-	-	3-2120864-1	TE ORDER-NO. BESTELL-NR.	
-	1	5 BLISTER PACKAGE BLISTERVERPACKUNG	4	-
-	1	4 INSTRUCTION SHEET MONTAGEANWEISUNG	1/4	-
-	1	3 PUSH PULL, SUB-ASSY PUSH PULL, SUB-ASSY	3-5 µm Ni OVER 8 µm Cu	ZP0410 DIN 12833
-	2	2 CONNECTOR ASSEMBLY ONE-PIECE LC, MULTI MODE GLASFASERVERBINDER, LC, MULTIMODE	BLACK SCHWARZ	-
-	1	1 ADAPTER FIBER OPTIC PLUG, VARIANT 14 ADAPTER FIBER OPTIC PLUG, VARIANTE 14	BLACK SCHWARZ	PBT-GF20

THIS DRAWING IS A CONTROLLED DOCUMENT. DIMENSIONING AND TOLERANCING PER GPS (ISO STANDARDS).		DWH S. HASS 20SEP2013	 TE Connectivity
DIMENSIONS: MASSE/WEITEN: IT/III		CHK M. STRELOW 20SEP2013	
TOLERANCES UNLESS OTHERWISE SPECIFIED: ALLGEMEINTOLERANZEN		APVD C. SCHRETTLINGER 20SEP2013	
0 PLC ±0.2 1 PLC ±0.2 2 PLC ±0.2 3 PLC ± 4 PLC ± ANGLES/WINKEL ±2° FINISH/OBERFLÄCHE/FARBE		NAME VARIANT 14, PLUG METAL VARIANTE 14, PLUG METALL FIBER OPTIC, LC, MULTI MODE (BEIGE)	
MATERIAL		PRODUCT SPEC 108-94207	RESTRICTED TO MUR FUER
		APPLICATION SPEC VERARBEITUNGSSPEZ.	SIZE A2
		WEIGHT GEWICHT 74.9g	CAGE CODE 00779
		Customer Drawing	DRAWING NO. ZEICHNUNGS-NR. C-2120864
			SCALE MASSSTAB 2:1
			SHEET BLATT 4 von 5
			REV B2

Size ISO 14405 (E)

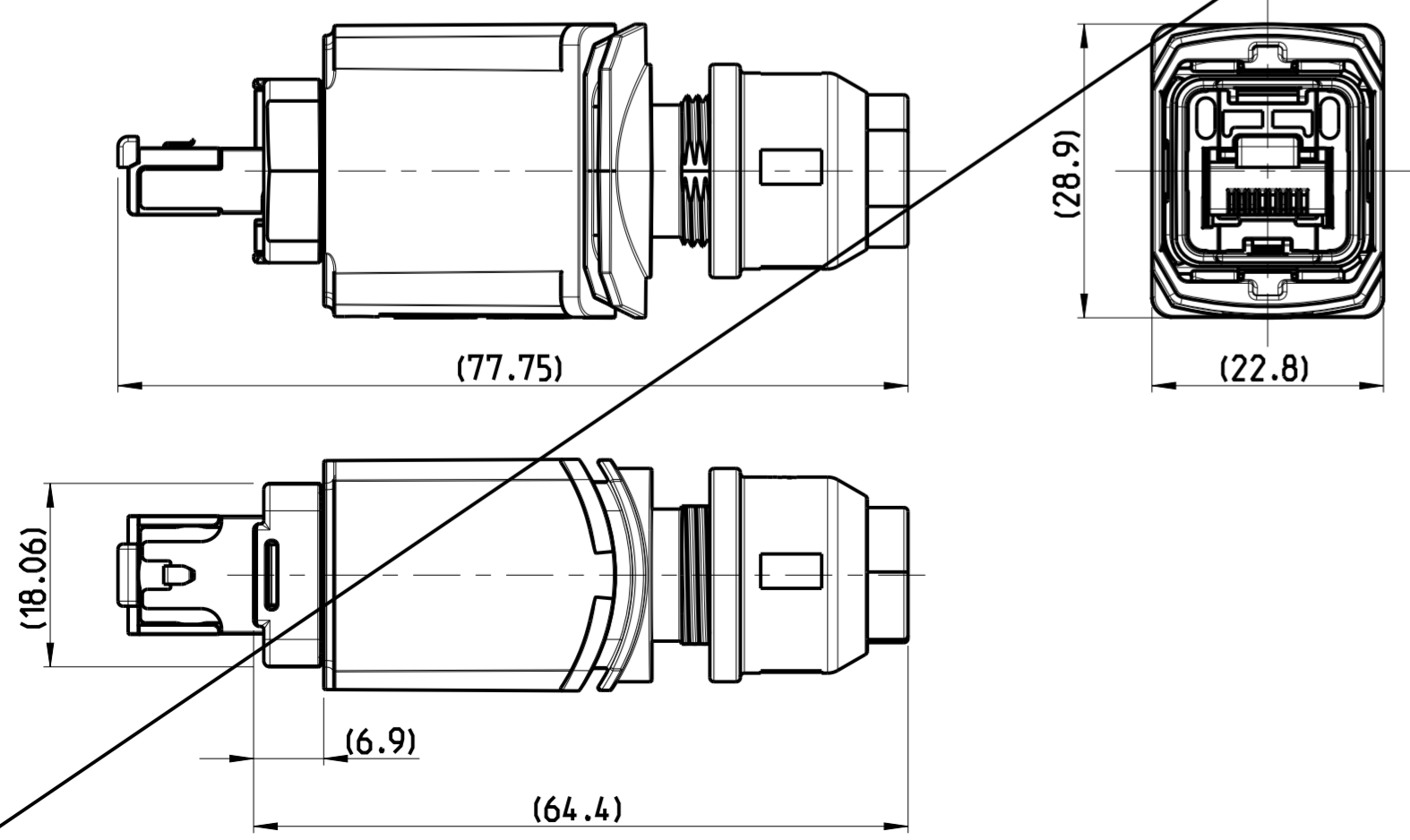
REVISIONS			DATE	DWN	APVD
NO.	DESCRIPTION	REVISIONS			
-	SEE SHEET 1		-	-	-



- 1 MOUNTING-CYCLE:
- APPLICATION SEE INSTRUCTION SHEET 411-18564
 - 2 PACKAGING:
- CONNECTOR SET PACKED INTO BLISTER PACKAGE
- BLISTER PACKAGE PACKED INTO CARTON
 - 3 RJ45 APPLICATION ACC. IEC 60076-3-117 and INTERFACE DIM.
 - 4 NOT SHOWN
-
- 1 MONTAGE:
- VERARBEITUNG SIEHE MONTAGEANWEISUNG 411-18564
 - 2 VERPACKUNG:
- STECKER SET IN BLISTERVERPACKUNG VERPACKT
- BLISTERVERPACKUNG IN KARTON VERPACKT
 - 3 RJ45 ANWENDUNG NACH IEC 60076-3-117 UND SCHNITTSTELLENMASSE
 - 4 NICHT DARGESTELLT

OBSOLETE

DIMENSION IN ASSEMBLED CONDITION
 MASSE IM ASSEMBLIERTEN ZUSTAND
 SCALE / M 3:2



Size ISO 14405 (E)

QUANTITY		ITEM-NO.	DESCRIPTION		SURFACE		MATERIAL	
STÜCK		POS.	BENENNUNG		OBERFLÄCHE		MATERIAL	
					COLOUR/FARBE			
-	-	1	5	BLISTER PACKAGE BLISTERVERPACKUNG	-	-	-	-
-	-	1	4	INSTRUCTION SHEET MONTAGEANWEISUNG	-	-	-	-
-	-	1	3	PUSH PULL SUB-ASSY PUSH PULL SUB-ASSY	3-5 µm Ni OVER 8 µm Cu	ZP0410 DIN 12833	-	-
-	-	1	2	CORE 4POS. ASSY KERN 4POL. ASSY	-	-	-	-
-	-	1	1	ADAPTER RJ45, CAT5e, VARIANTE 14, PLUG ADAPTER RJ45, CAT5e, VARIANTE 14, STECKER	BLACK SCHWARZ	PBT-GF20	-	-

THIS DRAWING IS A CONTROLLED DOCUMENT. DIMENSIONING AND TOLERANCING PER GPS (ISO STANDARDS)		DWN S. HASS 20SEP2013	 TE Connectivity
DIMENSIONS: MASSE/MAßSTÄBE: [Symbol]		CHK M. STRELOW 20SEP2013	
TOLERANCES UNLESS OTHERWISE SPECIFIED: ALLGEMEINTOLERANZEN		APVD C. SCHREITLINGER 20SEP2013	
0 PLC ±0.2 1 PLC ±0.2 2 PLC ±0.2 3 PLC ± 4 PLC ± ANGLES/WINKEL ±2° FINISH/OBERFLÄCHE/FARBE		PRODUCT SPEC 108-94207 APPLICATION SPEC VERARBEITUNGSSPEZ.	NAME VARIANTE 14, PLUG METAL VARIANTE 14, PLUG METALL RJ45, CAT5e, 4POS
MATERIAL		WEIGHT GEWICHT 78.6g	SIZE A2 CAGE CODE 00779 DRAWING NO. ZEICHNUNGS-NR. C-2120864
Customer Drawing		RESTRICTED TO NUR FÜR	
		SCALE MAßSTAB 2:1	
		SHEET BLATT 5 OF 5	
		REV B2	

X-ON Electronics

Largest Supplier of Electrical and Electronic Components

Click to view similar products for [Modular Connectors / Ethernet Connectors](#) category:

Click to view products by [TE Connectivity](#) manufacturer:

Other Similar products are found below :

[8949-H88/06BLKA/SN](#) [74441-0010/BKN](#) [MP1010RX-1000](#) [MP44RX-1000](#) [PHJ-4P4C-1-V-4](#) [PHP-6P6C-5](#) [GAX-3-66](#) [GAX-8-62](#) [GDCX-PA-66-50](#) [GDCX-PN-64](#) [GDCX-PN-66](#) [GDCX-PN-66-50](#) [GDLX-A-66](#) [GDLX-N-66](#) [GDLX-S-66](#) [GDLX-S-88K](#) [GDTX-S-88-50](#) [GDX-PA-1010](#) [GLX-N-1010M-BLK](#) [GLX-S-88M-BLK](#) [GMX-N-1010](#) [GMX-S-1010](#) [GMX-S-66](#) [GMX-SMT4-N-88](#) [GPX-2-64](#) [GSGX-N-2-88](#) [GSGX-N-4-88](#) [GSX-NS2-88-3.05](#) [GSX-NS2-88-3.05-50](#) [GSX-NS-88-3.05-50](#) [PT-108A-8C-UL](#) [PT-J951-8C](#) [PTS-J531-8CS-50UL](#) [1-1775629-2](#) [A-2014-0-4](#) [GWLX-S-88-GR](#) [GWLX-S9-88-YG](#) [DC-1021-8-WH-6](#) [1300530003](#) [1324640-4](#) [RJ11FTVC2G](#) [RJ11FTVC2N](#) [RJFTVX2SA1G](#) [132764-001](#) [1413235](#) [MP88X-1000](#) [MPS88RX-5000](#) [E5288-S000K3-L](#) [E5908-15A242-L](#) [155302-001](#)