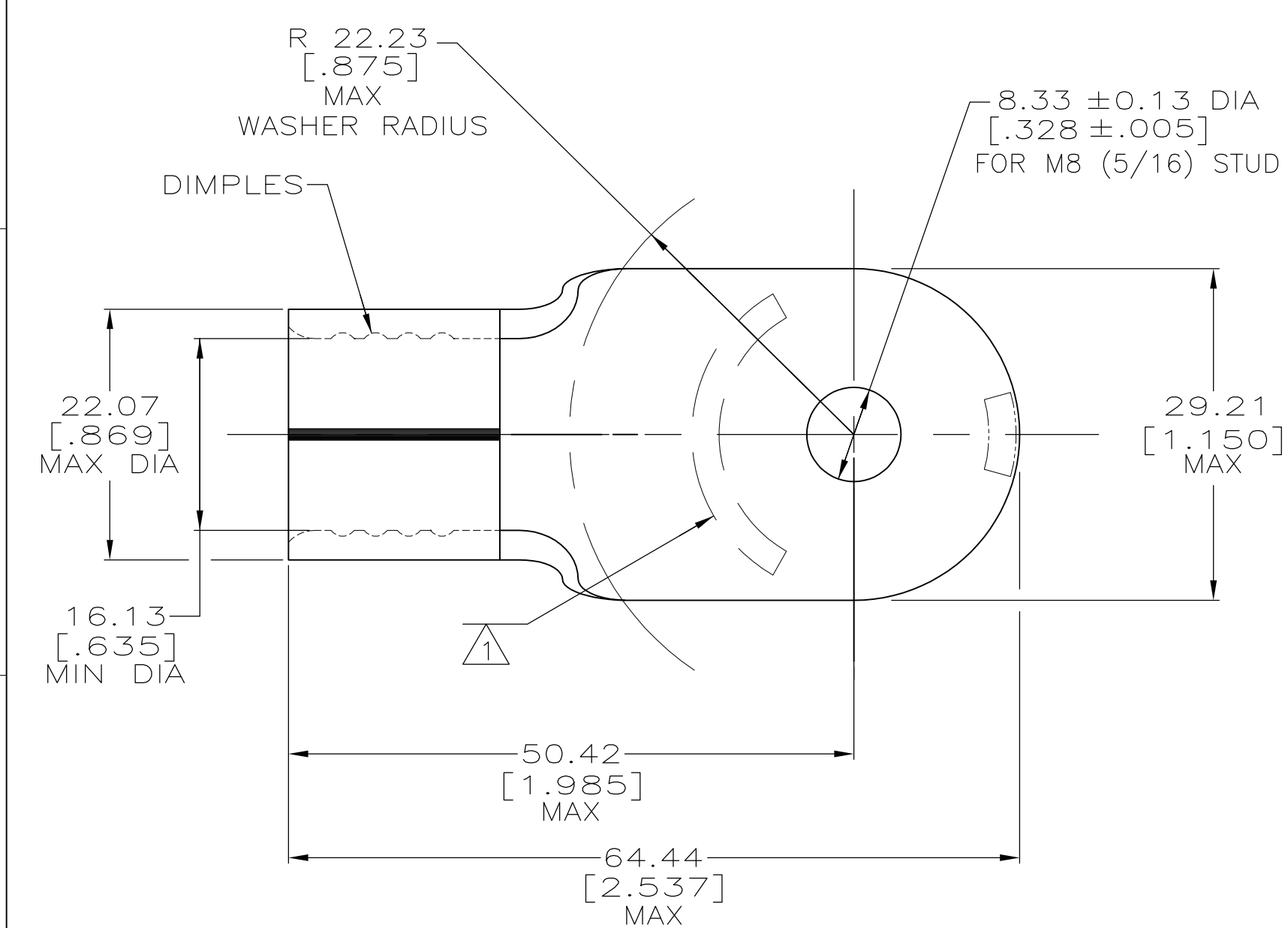


THIS DRAWING IS UNPUBLISHED. RELEASED FOR PUBLICATION  
 © COPYRIGHT - By - ALL RIGHTS RESERVED.

REVISIONS					
P	LTR	DESCRIPTION	DATE	DWN	APVD
D3		REVISED PER ECO-12-002699	13FEB12	KH	DR
D4		REVISED PER ECR-16-018115	03JAN2017	RS	DR



<b>AMP</b> WIRE RANGE	Listed FILE E13288	LR7189 Certified
4/0 AWG SOLID OR STRANDED	4/0 AWG SOLID OR STRANDED	4/0 AWG SOLID OR STRANDED

- 1 STAMP AMP 4/0W\* 200 APPROX AS SHOWN
- 2 MATERIAL THK: 2.59±0.08 [.102±.003]
- 3 COPPER PER ASTM B-152, ANNEALED
- 4 TIN PLATE 0.00254 [.000100] MIN EXT THK PER ASTM B545
- 5 MEETS MS20659-157, CLASS 2
- 6 NICKEL PLATE 0.00762[.000300] MIN EXT THK PER SAE AMS QQ-N-290
- 7 PART IS NOT UL LISTED OR CSA CERTIFIED

7 6	343°C [650°F]	321271-1
4	170°C [338°F]	5 321271
	RECOMMENDED OPERATING TEMP.	PART NUMBER

**CUSTOMER SERVICE SYSTEMS**

FOR ADDITIONAL PRODUCT INFORMATION OR COPIES OF DRAWINGS AND TECHNICAL DOCUMENTS	PRODUCT INFORMATION CENTER 1-800-522-6752	RECOMMENDED OPERATING TEMPERATURE: SEE TABLE
FOR APPLICATION TOOLING INFORMATION	TOOLING ASSISTANCE CENTER 1-800-722-1111	VOLTAGE RATING: NOT APPLICABLE
FOR ORDER ENTRY	1-800-526-5142	WIRE CROSS SECTIONAL AREA RANGE: 96.3-117.0mm <sup>2</sup> [190,000-231,100] CIR MILS STRANDED

THIS DRAWING IS A CONTROLLED DOCUMENT.

DIMENSIONS: mm [INCHES]	TOLERANCES UNLESS OTHERWISE SPECIFIED:
	0 PLC ± -
	1 PLC ± -
	2 PLC ± 0.20[.008]
	3 PLC ± -
	4 PLC ± -
	ANGLES ± -
MATERIAL	FINISH
3	SEE TABLE

DWN DK SCHRUM 15MAY96	TE Connectivity	NAME		
CHK DM SWARTZ 01JUL96		TERMINAL, RING TONGUE, SOLISTRAND		
APVD JL MECKLEY 01JUL96		SIZE	CAGE CODE	DRAWING NO
PRODUCT SPEC		A3	00779	C-321271
APPLICATION SPEC	WEIGHT	RESTRICTED TO		
	-	-		
CUSTOMER DRAWING		SCALE	SHEET	REV
		2:1	1 OF 1	D4

## X-ON Electronics

Largest Supplier of Electrical and Electronic Components

*Click to view similar products for [Terminals](#) category:*

*Click to view products by [TE Connectivity](#) manufacturer:*

Other Similar products are found below :

[00-054007-01074-6](#) [00-054007-70206-1](#) [00-054007-70210-8](#) [00-054007-70217-7](#) [00-054007-70226-9](#) [00-054007-70228-3](#) [00-054007-70248-1](#) [00-054007-70256-6](#) [00-054007-70301-3](#) [00-054007-70316-7](#) [00-054007-49560-4](#) [00-054007-70209-2](#) [00-054007-70225-2](#) [00-054007-70227-6](#) [00-054007-70231-3](#) [00-054007-70241-2](#) [00-054007-70242-9](#) [00-054007-70244-3](#) [00-054007-70246-7](#) [00-054007-70263-4](#) [00-054007-70288-7](#) [00-054007-70290-0](#) [00-054007-70300-6](#) [00-054007-70304-4](#) [01-2065-1-0216](#) [01-2900-1-04412](#) [00581P0075](#) [600TS-10](#) [60205-1](#) [604200-1](#) [605601-1](#) [60598-1-CUT-TAPE](#) [61314-6-C](#) [61810-3](#) [61-S](#) [61-SN](#) [626-0194](#) [62-NBM-A](#) [62-SN](#) [62-SP](#) [63-S](#) [640179-1](#) [M55155/059I03](#) [M55155/079C01](#) [M55155/099H02](#) [M55155/109H01](#) [M55155/109H02](#) [M55155/12XH05](#) [M55155/16XH02](#) [M55155/29-5S](#)