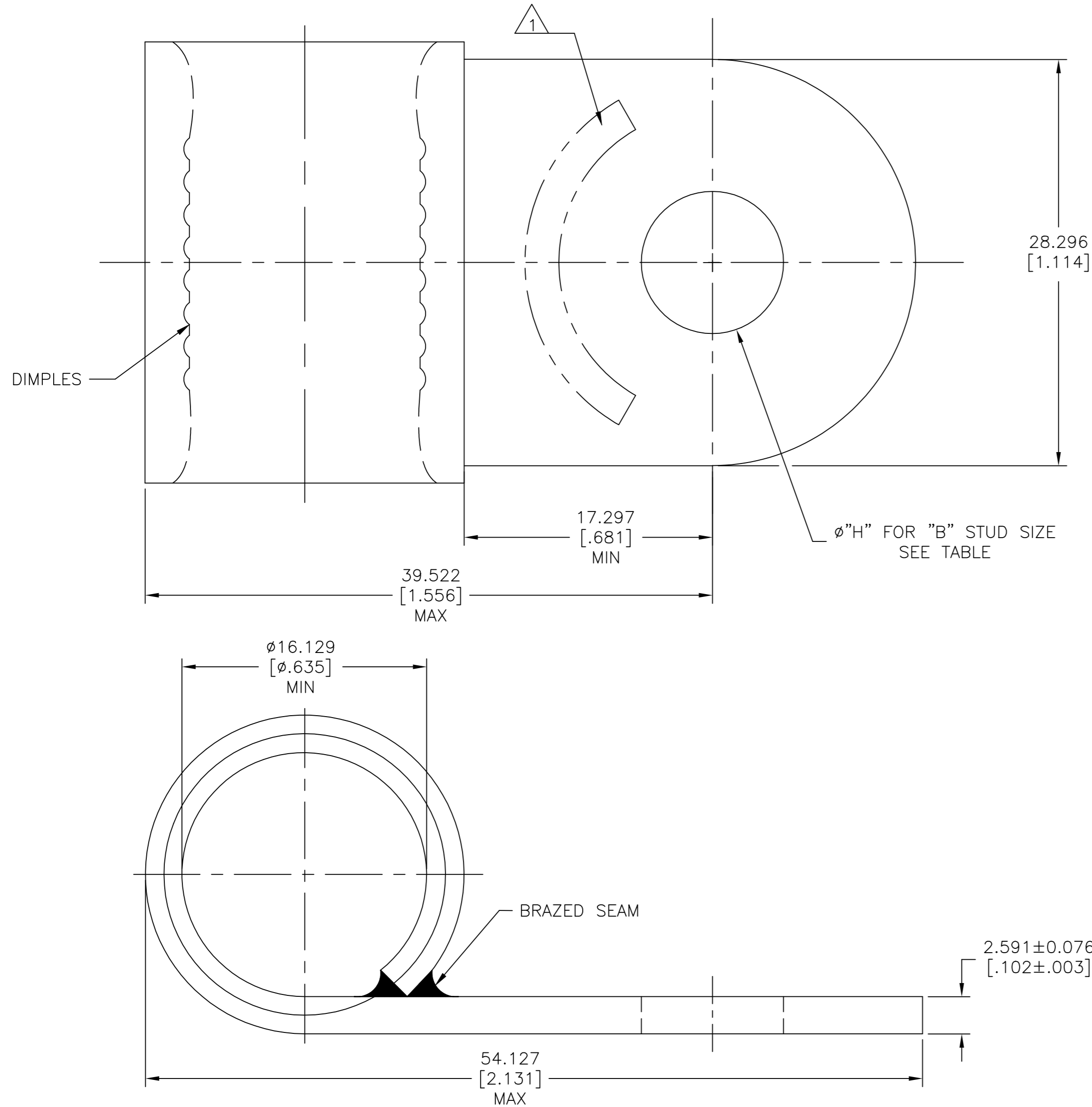


THIS DRAWING IS UNPUBLISHED. RELEASED FOR PUBLICATION
 © COPYRIGHT - By - ALL RIGHTS RESERVED.

REVISIONS					
P	LTR	DESCRIPTION	DATE	DWN	APVD
E1		REVISED PER ECO-12-003798	29FEB12	KH	DR
E2		REVISED PER ECO-17-008808	31JAN2018	RS	DR



AMP WIRE RANGE	E13288 Listed	LR7189 Certified
4/0 AWG SOLID OR STRANDED	4/0 AWG STRANDED	4/0 AWG SOLID OR STRANDED

- △1 STAMP AMP 4/0W* APPROX AS SHOWN
- △2 COPPER PER ASTM B-152, ANNEALED
- △3 0.00254 [.000100] MIN TIN PER ASTM B-545

50	LOOSE PIECE	3/8	9.906±0.203 [.390±.008]	321277-1
QTY	PACKAGE TYPE	STUD SIZE "B"	Ø"H"	PART NO

AMP INCORPORATED
 CUSTOMER SERVICE SYSTEMS

FOR ADDITIONAL PRODUCT INFORMATION OR COPIES OF DRAWINGS AND TECHNICAL DOCUMENTS	PRODUCT INFORMATION CENTER 1-800-522-6752	RECOMMENDED OPERATING TEMPERATURE: 170° C [338° F] MAX
	TOOLING ASSISTANCE CENTER 1-800-722-1111	VOLTAGE RATING: NOT APPLICABLE
	FOR ORDER ENTRY 1-800-526-5142	WIRE CROSS SECTIONAL AREA RANGE: 96.3-117mm ² [190,000-231,000] CIR MILS SOLID OR STRANDED

THIS DRAWING IS A CONTROLLED DOCUMENT.		DWN TA BRINKMAN 4-8-93	TE Connectivity Ltd.		
DIMENSIONS: mm [INCHES]		CHK DA PATTERSON 4-8-93			
TOLERANCES UNLESS OTHERWISE SPECIFIED:		APVD DA PATTERSON 4-8-93	NAME TERMINAL, RING TONGUE, FLAG, SOLISTRAND 4/0 AWG		
0 PLC ± - 1 PLC ± - 2 PLC ± - 3 PLC ± 0.127[.005] 4 PLC ± - ANGLES ± - FINISH		PRODUCT SPEC UL 486 A-B	SIZE A2	CAGE CODE 00779	DRAWING NO C=321277
MATERIAL △2		WEIGHT	RESTRICTED TO -		REVISIONS REV E2
CUSTOMER DRAWING			SCALE 4:1	SHEET 1 of 1	

X-ON Electronics

Largest Supplier of Electrical and Electronic Components

Click to view similar products for [Terminals](#) category:

Click to view products by [TE Connectivity](#) manufacturer:

Other Similar products are found below :

[00-054007-01074-6](#) [00-054007-70206-1](#) [00-054007-70210-8](#) [00-054007-70217-7](#) [00-054007-70226-9](#) [00-054007-70228-3](#) [00-054007-70248-1](#) [00-054007-70256-6](#) [00-054007-70301-3](#) [00-054007-70316-7](#) [0-0320562-0](#) [00-054007-49560-4](#) [00-054007-70209-2](#) [00-054007-70225-2](#) [00-054007-70227-6](#) [00-054007-70231-3](#) [00-054007-70241-2](#) [00-054007-70242-9](#) [00-054007-70244-3](#) [00-054007-70246-7](#) [00-054007-70263-4](#) [00-054007-70288-7](#) [00-054007-70290-0](#) [00-054007-70300-6](#) [00-054007-70304-4](#) [01-2065-1-0216](#) [01-2900-1-04412](#) [00581P0075](#) [600TS-10](#) [60205-1](#) [604200-1](#) [605601-1](#) [60598-1-CUT-TAPE](#) [61314-6-C](#) [61810-3](#) [61-S](#) [61-SN](#) [626-0194](#) [62-NBM-A](#) [62-SN](#) [62-SP](#) [63-S](#) [640179-1](#) [M55155/059I03](#) [M55155/079C01](#) [M55155/099H02](#) [M55155/109H01](#) [M55155/109H02](#) [M55155/12XH05](#) [M55155/16XH02](#)