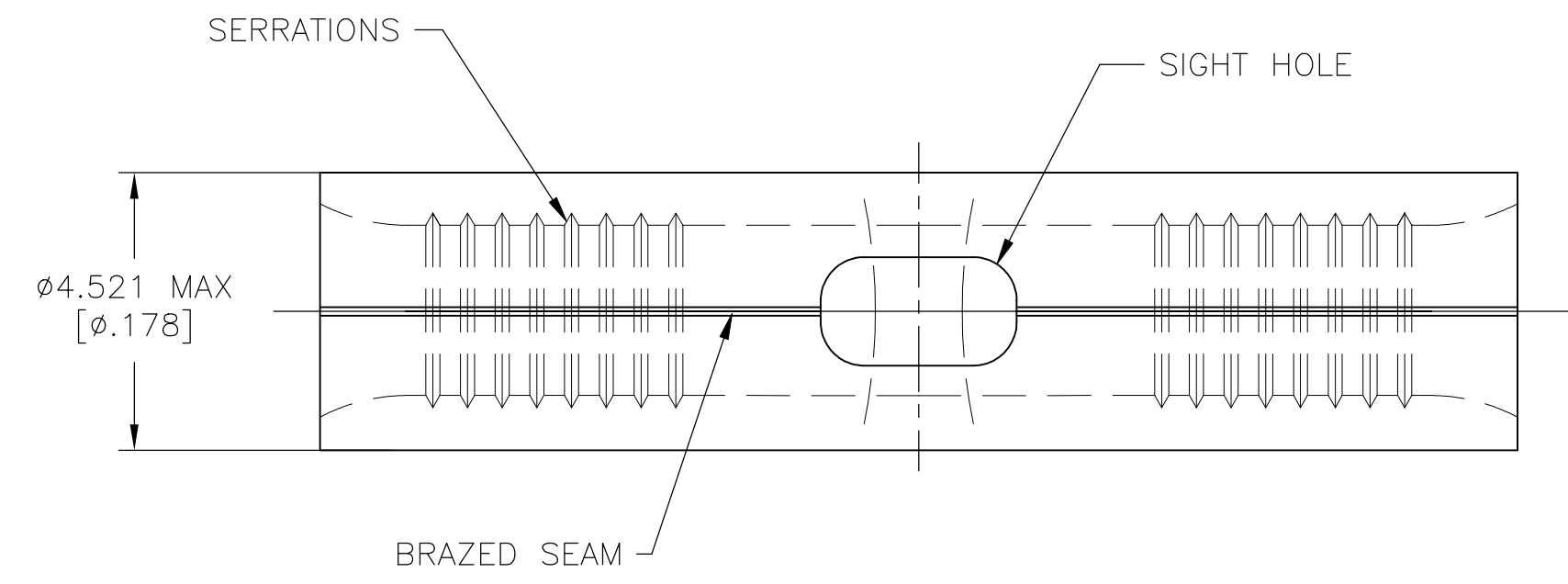


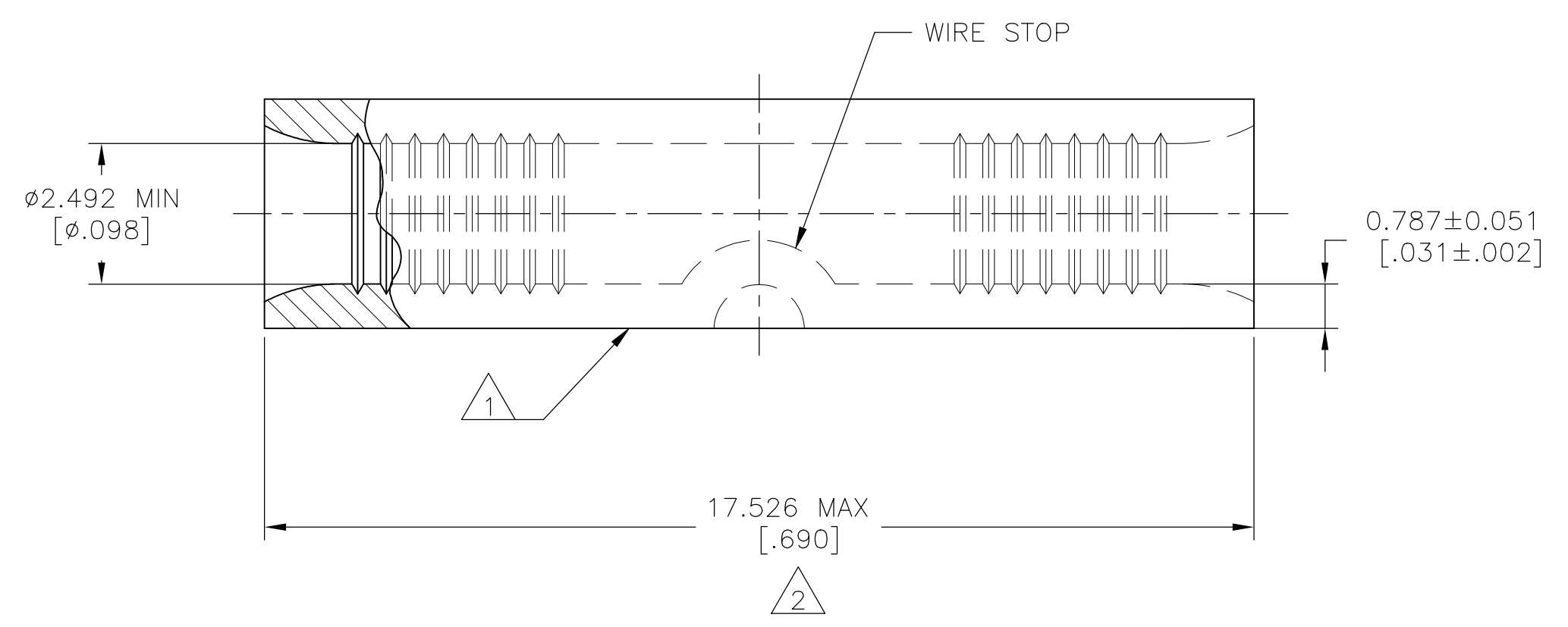
THIS DRAWING IS UNPUBLISHED. RELEASED FOR PUBLICATION
 © COPYRIGHT - TE Connectivity Ltd. ALL RIGHTS RESERVED.

REVISIONS					
P	LTR	DESCRIPTION	DATE	DWN	APVD
	H	REL PER 0G3A-0372-02	20JUN02	-	MS
	H1	REVISED PER ECO-17-008806	22FEB2018	RS	DR



AMP WIRE RANGE	E13288 Listed
14-12 AWG SOLID OR STRANDED	14-12 AWG STRANDED
LR7189 Certified	MILITARY P/N AND CLASS
14-12 AWG SOLID OR STRANDED	NOT APPLICABLE

- 1 STAMP AMP 14-12* APPROX AS SHOWN
- 2 MAXIMUM LENGTH DOES NOT INCLUDE MANUFACTURING TABS



1000	LOOSE PIECE	321280
QTY	PACKAGE TYPE	PART NUMBER

AMP INCORPORATED CUSTOMER SERVICE SYSTEMS			THIS DRAWING IS A CONTROLLED DOCUMENT.			DWN 22FEB2018 RAVI S			TE Connectivity Ltd.					
FOR ADDITIONAL PRODUCT INFORMATION OR COPIES OF DRAWINGS AND TECHNICAL DOCUMENTS			PRODUCT INFORMATION CENTER 1-800-522-6752			MAX RECOMMENDED OPERATING TEMPERATURE: 170°C [338°F] MAX			DIMENSIONS: mm [INCHES]			TOLERANCES UNLESS OTHERWISE SPECIFIED:		
FOR APPLICATION			TOOLING ASSISTANCE CENTER 1-800-722-1111			VOLTAGE RATING: NOT APPLICABLE						0 PLC ± - 1 PLC ± - 2 PLC ± - 3 PLC ± 0.127[.005] 4 PLC ± -		
TOOLING INFORMATION			1-800-722-1111			WIRE CROSS SECTIONAL AREA RANGE, 1.65-4.17mm²[3,260-8,230] CIR MILS SOLID OR STRANDED			MATERIAL COPPER PER ASTM B-152 ANNEALED			FINISH TIN PLATE 0.00254[.000100] MIN THK PER ASTM B545		
FOR ORDER ENTRY			1-800-526-5142			APVD 22FEB2018 ROHDE DANIEL F			NAME SPLICE, BUTT, SIGHT HOLE, SOLISTRAND			APPLICATION SPEC UL 486 A-B		
						APVD 22FEB2018 ROHDE DANIEL F			SIZE A2			CAGE CODE 00779		
						APVD 22FEB2018 ROHDE DANIEL F			DRAWING NO 321280			RESTRICTED TO -		
						APVD 22FEB2018 ROHDE DANIEL F			SCALE 10:1			SHEET 1 of 1		
						APVD 22FEB2018 ROHDE DANIEL F			CUSTOMER DRAWING			REV H1		

X-ON Electronics

Largest Supplier of Electrical and Electronic Components

Click to view similar products for [Terminals](#) category:

Click to view products by [TE Connectivity](#) manufacturer:

Other Similar products are found below :

[00-054007-01074-6](#) [00-054007-70206-1](#) [00-054007-70210-8](#) [00-054007-70217-7](#) [00-054007-70226-9](#) [00-054007-70228-3](#) [00-054007-70248-1](#) [00-054007-70256-6](#) [00-054007-70301-3](#) [00-054007-70316-7](#) [0-0320562-0](#) [00-054007-49560-4](#) [00-054007-70209-2](#) [00-054007-70225-2](#) [00-054007-70227-6](#) [00-054007-70231-3](#) [00-054007-70241-2](#) [00-054007-70242-9](#) [00-054007-70244-3](#) [00-054007-70246-7](#) [00-054007-70263-4](#) [00-054007-70288-7](#) [00-054007-70290-0](#) [00-054007-70300-6](#) [00-054007-70304-4](#) [01-2065-1-0216](#) [01-2900-1-04412](#) [00581P0075](#) [600TS-10](#) [60205-1](#) [604200-1](#) [605601-1](#) [60598-1-CUT-TAPE](#) [61314-6-C](#) [61810-3](#) [61-S](#) [61-SN](#) [626-0194](#) [62-NBM-A](#) [62-SN](#) [62-SP](#) [63-S](#) [640179-1](#) [M55155/059I03](#) [M55155/079C01](#) [M55155/099H02](#) [M55155/109H01](#) [M55155/109H02](#) [M55155/12XH05](#) [M55155/16XH02](#)