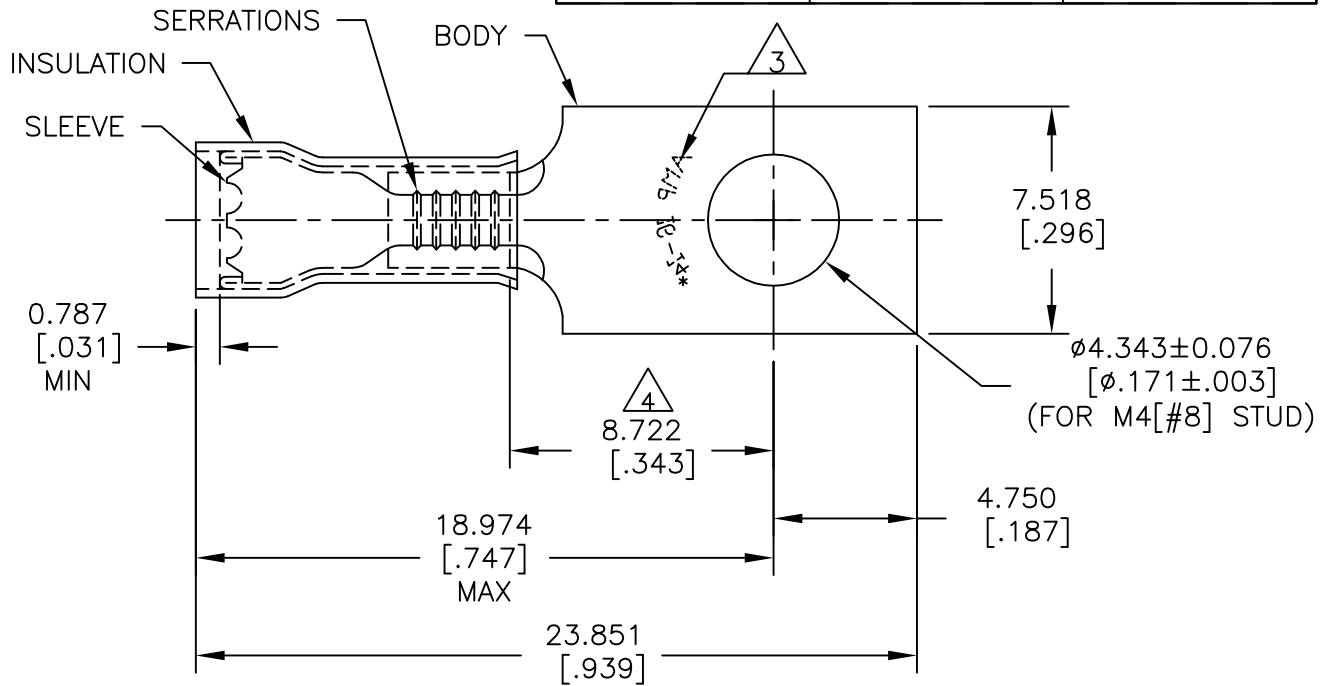


REVISIONS					
P	LTR	DESCRIPTION	DATE	DWN	APVD
	E1	REDRAWN PER ECO-17-007400	13DEC2017	RS	DR

AMP WIRE RANGE	Listed FILE E13288	LR7189 Certified
16-14 AWG SOLID OR STRANDED	16-14 AWG SOLID OR STRANDED	16-14 AWG SOLID OR STRANDED



- 1 BODY MATERIAL THK 0.787±0.051[.031±.002]
- 2 FOR $\phi 2.921[\phi .115]$ TO $\phi 4.318[\phi .170]$ WIRE INSULATION.

STAMP AMP 16-14* APPROX AS SHOWN.

APPLIES FROM EDGE OF METAL WIRE BARREL TO CENTER OF STUD HOLE

MATERIAL:
BODY & SLEEVE: COPPER PER ASTM B-152
INSULATION: NYLON

FINISH:
BODY & SLEEVE: TIN PLATE PER ASTM B 545
INSULATION: COLOR-BLUE.

1000	LOOSE PIECE	321283
QTY.	PACKAGE TYPE	PART NUMBER

THIS DRAWING IS UNPUBLISHED.

COPYRIGHT - TE Connectivity

DIMENSIONS: mm [INCHES]	DWN RAVI S	13DEC2017	MATERIAL		FINISH	
	CHK ROHDE DANIEL F	13DEC2017	TE Connectivity			
TOLERANCES UNLESS OTHERWISE SPECIFIED:	APVD ROHDE DANIEL F	13DEC2017				
0 PLC ± -	PRODUCT SPEC		NAME			
1 PLC ± -	UL 486 A-B		WIRE TERMINAL, P.I.D.G,			
2 PLC ± -	APPLICATION SPEC		RECTANGULAR TONGUE, WIRE SIZE: 16-14 AWG			
3 PLC ± 0.127[.005]	114-2157		SIZE	CAGE CODE	DRAWING NO	RESTRICTED TO
4 PLC ± -	WEIGHT -		A4	00779	321283	-
ANGLES ± -	CUSTOMER DRAWING		SCALE	1:1	SHEET	1 OF 1
						REV E1

X-ON Electronics

Largest Supplier of Electrical and Electronic Components

Click to view similar products for [Terminals](#) category:

Click to view products by [TE Connectivity](#) manufacturer:

Other Similar products are found below :

[00-054007-01074-6](#) [00-054007-70206-1](#) [00-054007-70210-8](#) [00-054007-70217-7](#) [00-054007-70226-9](#) [00-054007-70228-3](#) [00-054007-70248-1](#) [00-054007-70256-6](#) [00-054007-70301-3](#) [00-054007-70316-7](#) [0-0320562-0](#) [00-054007-49560-4](#) [00-054007-70209-2](#) [00-054007-70225-2](#) [00-054007-70227-6](#) [00-054007-70231-3](#) [00-054007-70241-2](#) [00-054007-70242-9](#) [00-054007-70244-3](#) [00-054007-70246-7](#) [00-054007-70263-4](#) [00-054007-70288-7](#) [00-054007-70290-0](#) [00-054007-70300-6](#) [00-054007-70304-4](#) [01-2065-1-0216](#) [01-2900-1-04412](#) [00581P0075](#) [600TS-10](#) [60205-1](#) [604200-1](#) [605601-1](#) [60598-1-CUT-TAPE](#) [61314-6-C](#) [61810-3](#) [61-S](#) [61-SN](#) [626-0194](#) [62-NBM-A](#) [62-SN](#) [62-SP](#) [63-S](#) [640179-1](#) [M55155/059I03](#) [M55155/079C01](#) [M55155/099H02](#) [M55155/109H01](#) [M55155/109H02](#) [M55155/12XH05](#) [M55155/16XH02](#)