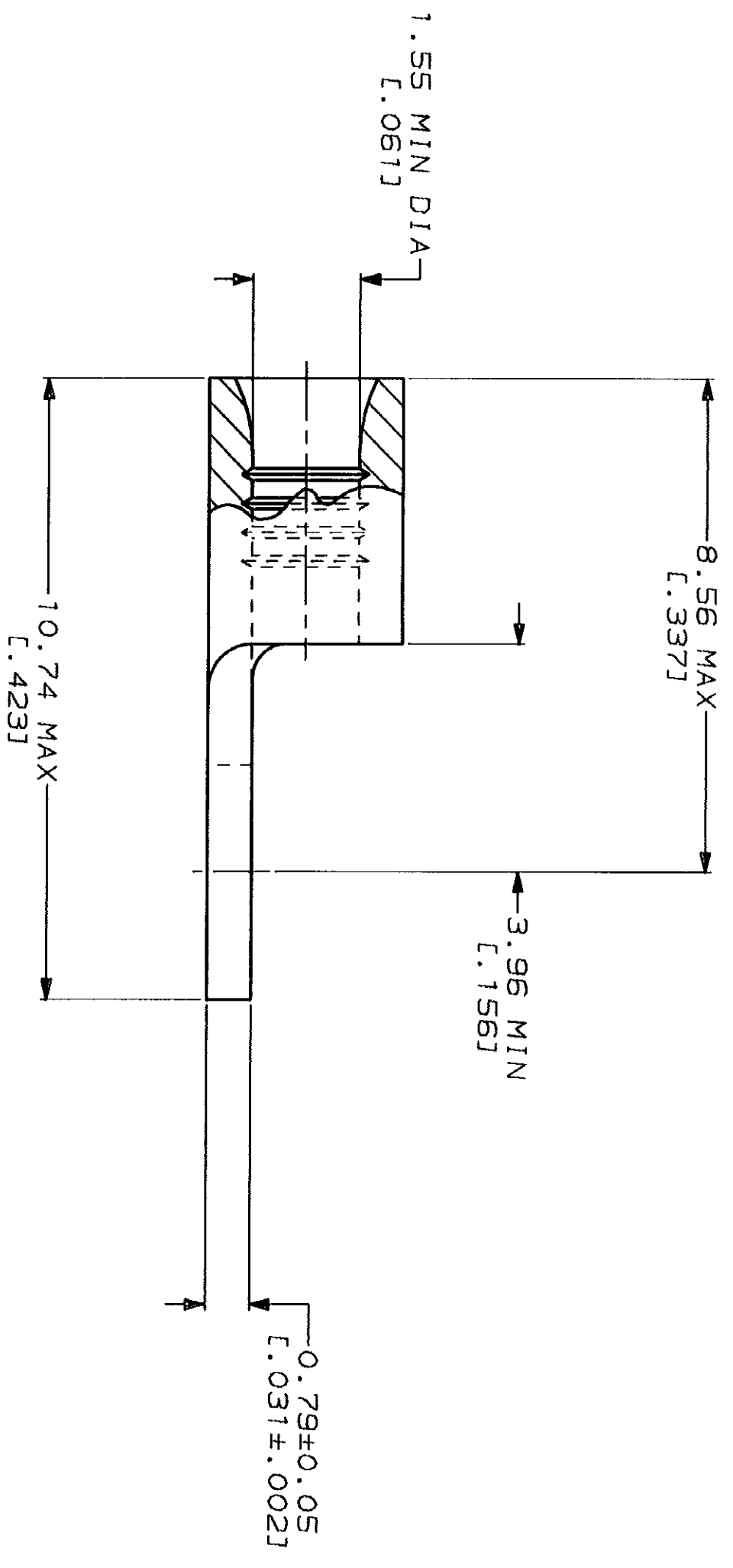
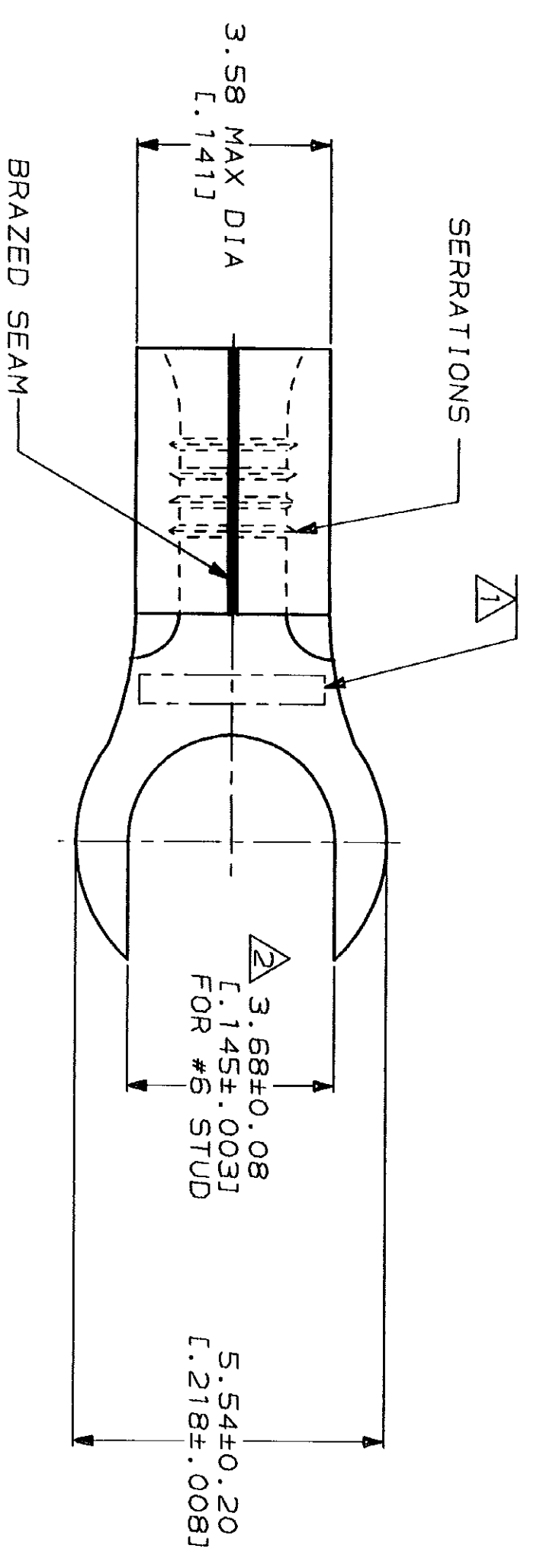
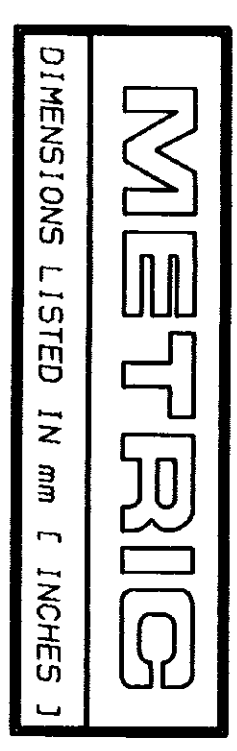


LOC	DIST	REV	ZONE	LTR	DESCRIPTION	DATE	APPD
G	14	P		H	REV 8 REDRAWN PER 0720-0040-93	4-8-93	18 DAF



<b>AMP</b> WIRE RANGE	<b>IL</b> E13288 Listed
22-16 AWG SOLID OR STRANDED	22-16 AWG SOLID OR STRANDED
<b>LR7189</b> Certified	MILITARY P/N AND CLASS
22-16 AWG SOLID OR STRANDED	NOT APPLICABLE

△ STAMP AMP 22-18\* APPROX AS SHOWN  
 22-16 TERMINALS ARE STAMPED 22-18 IN  
 ACCORDANCE WITH MILITARY SPECIFICATION  
 MIL-T-7928, COMMERCIAL WIRE RANGE IS 22-16  
 MINIMUM DIMENSION ACROSS TIPS OF SLOT TO BE  
 .130 FOR PART NUMBER 2-321289-1

**AMP INCORPORATED  
 CUSTOMER SERVICE SYSTEMS**

FOR ADDITIONAL PRODUCT INFORMATION OR COPIES OF DRAWINGS AND TECHNICAL DOCUMENTS	PRODUCT INFORMATION CENTER 1-800-522-6752
FOR APPLICATION TOOLING INFORMATION	TOOLING ASSISTANCE CENTER 1-800-722-1111
FOR ORDER ENTRY	1-800-526-5142

MAX RECOMMENDED OPERATING TEMPERATURE: 170°C MAX	DO NOT SCALE PRINT. UNLESS SPECIFIED DIMENSIONS IN -mm- (INCHES)- TOLERANCES ON: 2 PLC DEC ± 3 PLC DEC ± ANGLES
VOLTAGE RATING: NOT APPLICABLE	DR 4-8-93 TA BRINKMAN
WIRE CROSS SECTIONAL AREA RANGE: 0.26-1.65mm² (509-3,2601 CIR MILS SOLID OR STRANDED)	CHK 4-8-93 DA PATTERSON
FINISH: TIN PLATE 0.00254(.000100) MIN THK PER MIL-T-10727	APPD 4-8-93 DE MILLER
THIS DRAWING IS A CONTROLLED DOCUMENT FOR AMP INCORPORATED. IT IS SUBJECT TO CHANGE WITHOUT NOTICE. FOR THE LATEST REVISION SHOULD BE CONSULTED FOR THE LATEST REVISION.	APPD 4-8-93 JL MECKLEY
	PRODUCT SPEC
	APPLICATION SPEC
	WEIGHT

5000	ON TAPE	2-321289-1
---	LOOSE PIECE	321289
QUANTITY	PACKAGING TYPE	PART NO

**AMP** AMP Incorporated  
 Harrisburg, PA 17105-3508

TERMINAL, SLOTTED  
 RING TONGUE, SOLISTRAND™

SIZE	CAGE CODE	DRAWING NO
SCALE 10:1	00779	321289
		SHEET 1 OF 1

## X-ON Electronics

Largest Supplier of Electrical and Electronic Components

*Click to view similar products for [Terminals](#) category:*

*Click to view products by [TE Connectivity](#) manufacturer:*

Other Similar products are found below :

[00-054007-01074-6](#) [00-054007-70206-1](#) [00-054007-70210-8](#) [00-054007-70217-7](#) [00-054007-70226-9](#) [00-054007-70228-3](#) [00-054007-70248-1](#) [00-054007-70256-6](#) [00-054007-70301-3](#) [00-054007-70316-7](#) [00-054007-49560-4](#) [00-054007-70209-2](#) [00-054007-70225-2](#) [00-054007-70227-6](#) [00-054007-70231-3](#) [00-054007-70241-2](#) [00-054007-70242-9](#) [00-054007-70244-3](#) [00-054007-70246-7](#) [00-054007-70263-4](#) [00-054007-70288-7](#) [00-054007-70290-0](#) [00-054007-70300-6](#) [00-054007-70304-4](#) [01-2065-1-0216](#) [01-2900-1-04412](#) [00581P0075](#) [600TS-10](#) [60205-1](#) [604200-1](#) [605601-1](#) [60598-1-CUT-TAPE](#) [61314-6-C](#) [61810-3](#) [61-S](#) [61-SN](#) [626-0194](#) [62-NBM-A](#) [62-SN](#) [62-SP](#) [63-S](#) [640179-1](#) [M55155/059I03](#) [M55155/079C01](#) [M55155/099H02](#) [M55155/109H01](#) [M55155/109H02](#) [M55155/12XH05](#) [M55155/16XH02](#) [M55155/29-5S](#)