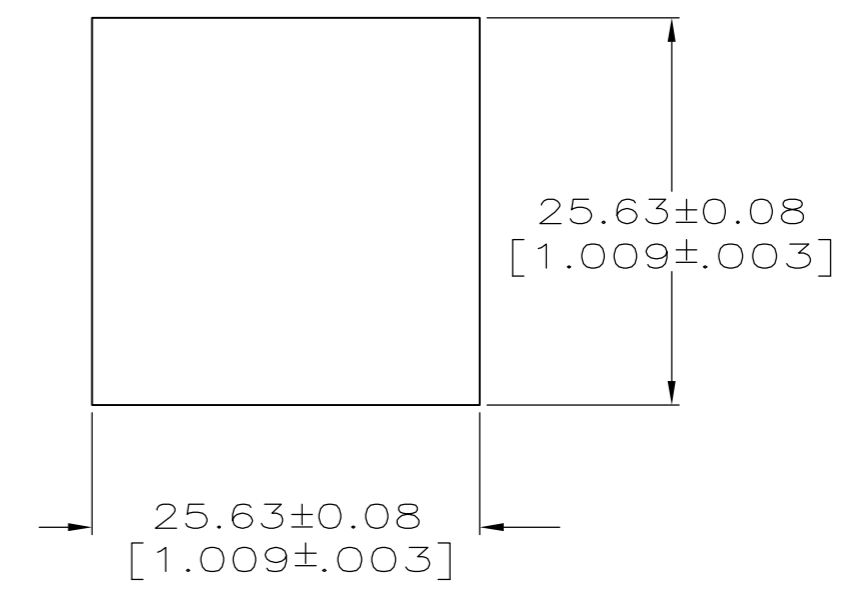
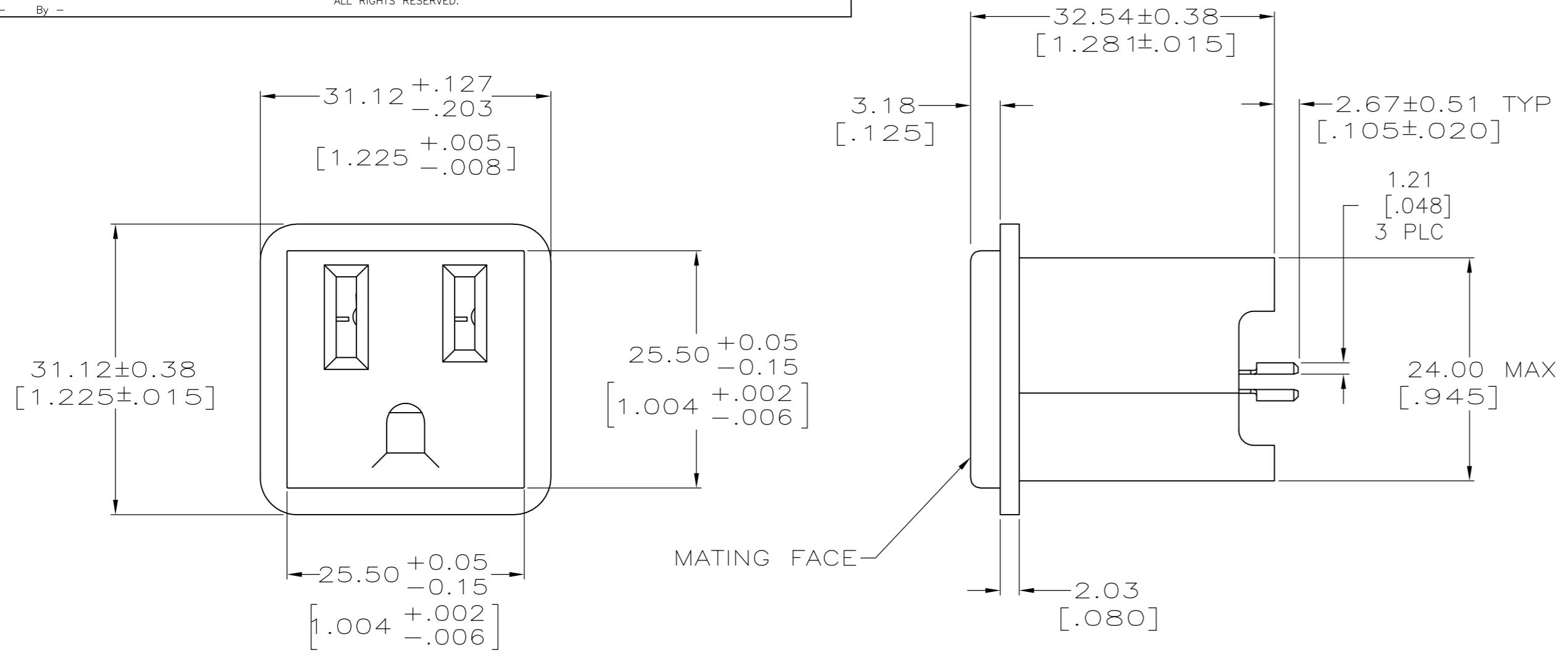
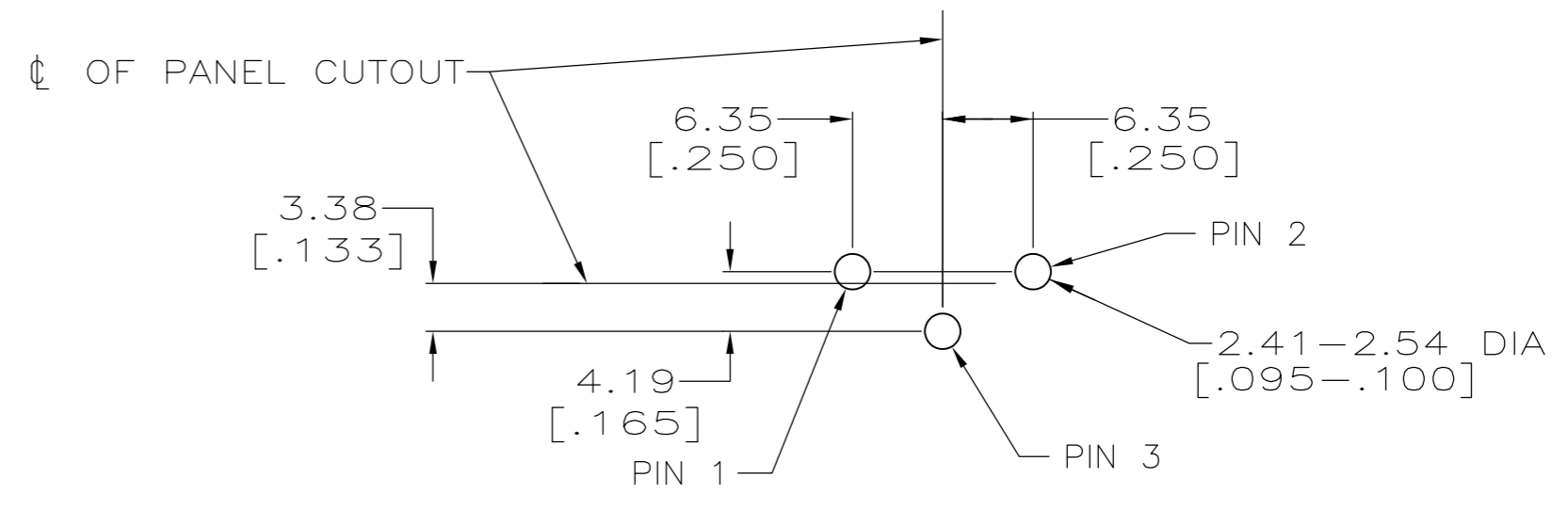
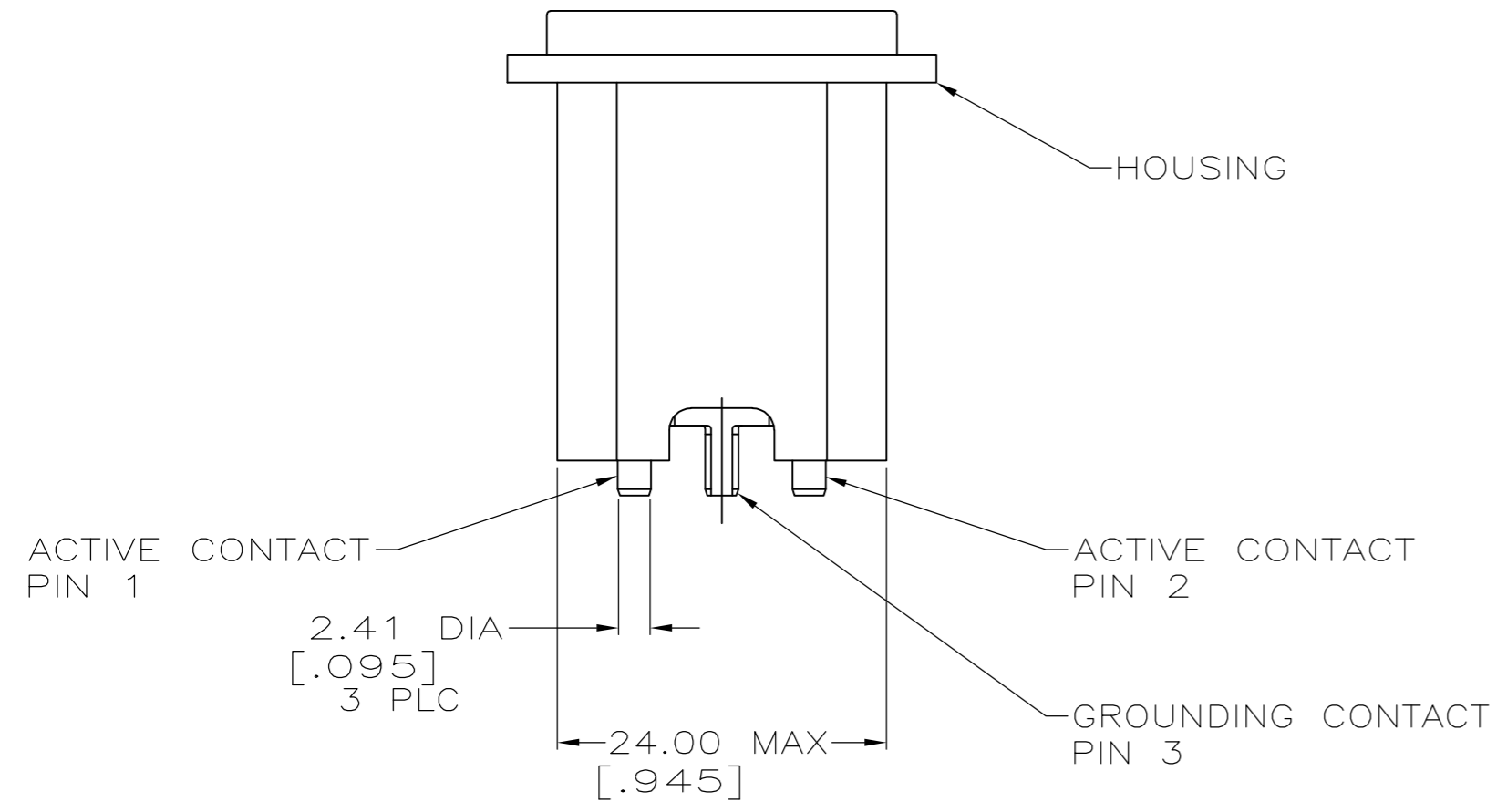


THIS DRAWING IS UNPUBLISHED. RELEASED FOR PUBLICATION  
 © COPYRIGHT - By - ALL RIGHTS RESERVED.

LOC	DIST	REVISIONS					
FT	0	P	LTR	DESCRIPTION	DATE	DWN	APVD
		M1		REVISED PER ECO-11-004820	11MAR11	RK	HMR



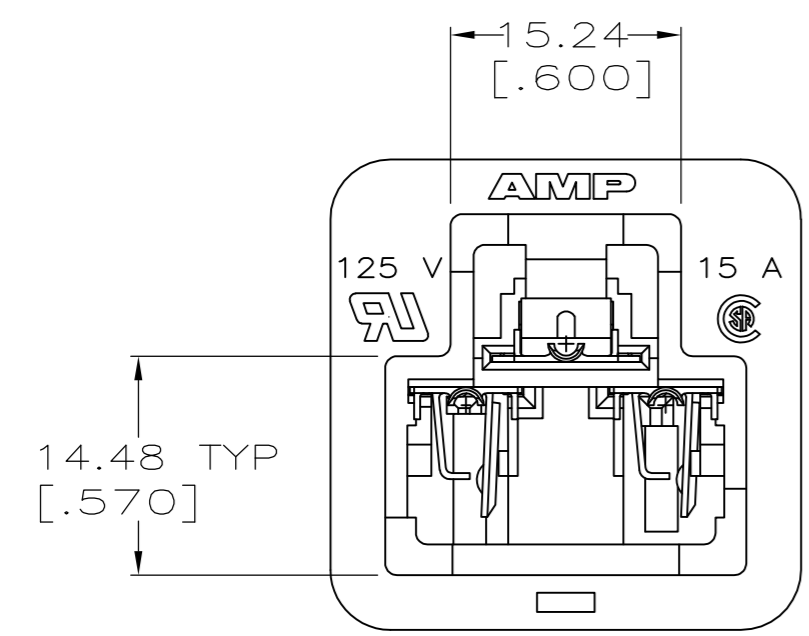
RECOMMENDED PANEL CUTOUT



RECOMMENDED HOLE PATTERN  
 1.57[.062] THICK PC BOARD  
 COMPONENT SIDE

- 1 2.54um[.000100] MIN TIN-LEAD FOR A MIN LENGTH OF .195 ON END OPPOSITE MATING FACE, OVER 1.27um[.000050] MIN NICKEL ON ENTIRE CONTACT.
- 2 2.54um[.000100] MIN TIN FOR A MIN LENGTH OF .195 ON END OPPOSITE MATING FACE, OVER 1.27 MIN NICKEL ON ENTIRE CONTACT.
- 3 HOUSING: NYLON, COLOR: SEE TABLE. CONTACTS: BRASS

WHITE	3-213598-4
BLACK	3-213598-2
GRAY	3-213598-1
WHITE	213598-4
BLACK	213598-2
GRAY	213598-1
COLOR	PART NO



THIS DRAWING IS A CONTROLLED DOCUMENT.		DWN K. WHITAKER 23JUNE2005		
DIMENSIONS: mm [INCHES]		CHK D. BOSSI 23JUNE2005		
TOLERANCES UNLESS OTHERWISE SPECIFIED:		APVD D. BOSSI 23JUNE2005	NAME RECEPTACLE ASSEMBLY, CONVENIENCE OUTLET	
0 PLC ± -	1 PLC ± -	PRODUCT SPEC	SIZE A2	CAGE CODE 00779
2 PLC ± 0.13[.005]	3 PLC ± -	APPLICATION SPEC	DRAWING NO C=213598	RESTRICTED TO -
4 PLC ± -	ANGLES ± -	FINISH	SCALE 2:1	SHEET 1 of 1
MATERIAL 3	CONTACTS 1	WEIGHT -	CUSTOMER DRAWING	REV M1

## X-ON Electronics

Largest Supplier of Electrical and Electronic Components

*Click to view similar products for [AC Power Plugs & Receptacles](#) category:*

*Click to view products by [TE Connectivity](#) manufacturer:*

Other Similar products are found below :

[739W-X2/03-BACK1](#) [85447L](#) [1301460003](#) [1301520016](#) [1301520008](#) [14W07](#) [15W07](#) [22806](#) [26W47](#) [929662-1](#) [27W81](#) [962160-1](#)  
[29W08MB](#) [29W82](#) [26W](#) [26W76BLK](#) [27W47](#) [27W48](#) [28W](#) [28W81](#) [29W47MB](#) [HDR-E14FG1+](#) [30-9717-25](#) [43305](#) [85266](#) [5262DW](#) [22801](#)  
[22804](#) [25W47](#) [701W-15/06](#) [701W-20/27](#) [27T76](#) [739W-20/XX](#) [1301860536](#) [1301520018](#) [1301520021](#) [1301520020](#) [8210GY](#) [29W48](#) [3011-](#)  
[06](#) [A52S22A](#) [739W-X2/XX3](#) [26T49](#) [2707](#) [26W47-W](#) [1301450073](#) [RECWALLBOXBA](#) [1301490033](#) [30-1511](#) [30-9707-BU](#)