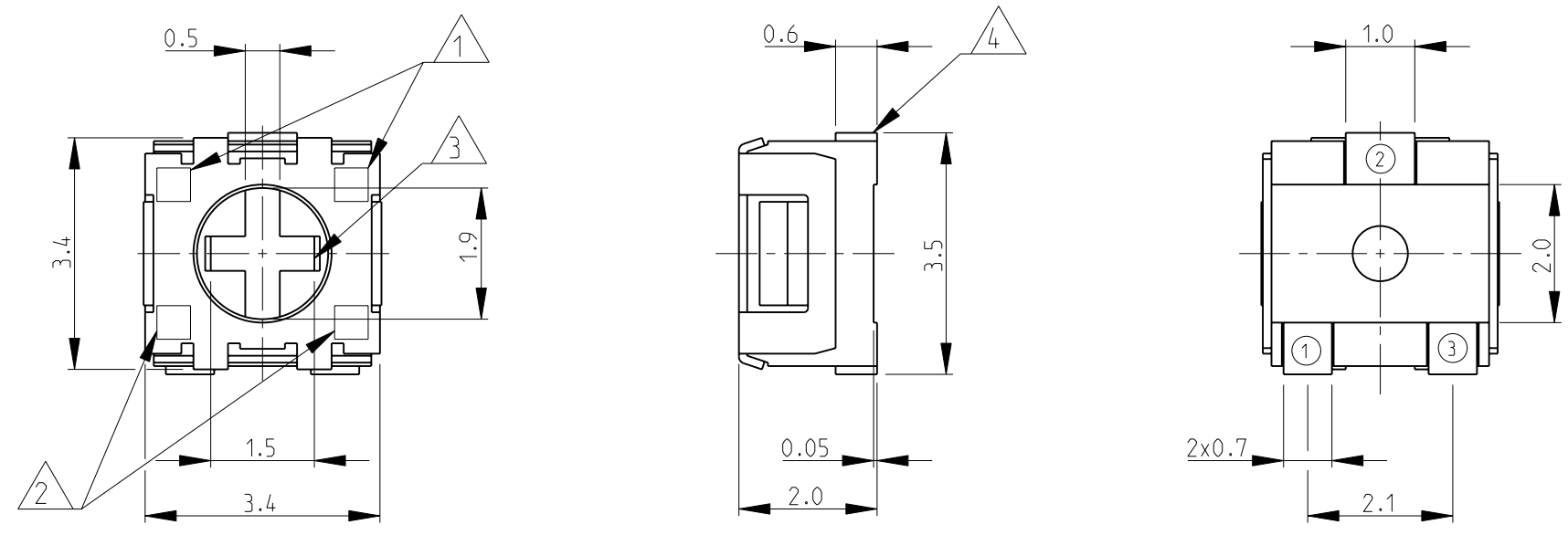


THIS DRAWING IS UNPUBLISHED. RELEASED FOR PUBLICATION 2008
 © COPYRIGHT 2008 BY TYCO ELECTRONICS CORPORATION. ALL RIGHTS RESERVED.

LOC	DIST	REVISIONS			
P	LTR	DESCRIPTION	DATE	DWN	APVD
E	B	A	NEW RELEASE	13-NOV-08	SM St.P

- ① DATE CODE
- ② RESISTANCE CODE 2 DIGITS
- ③ CROSS SLOT FOR "0" BIT DRIVER, DEPTH: 0.45mm
- ④ t=0.12 SOLDER-PLATED
- 5 FOR FURTHER INFORMATION SEE DATA SHEET FOR 3213 SERIES-SMD TRIMMERS



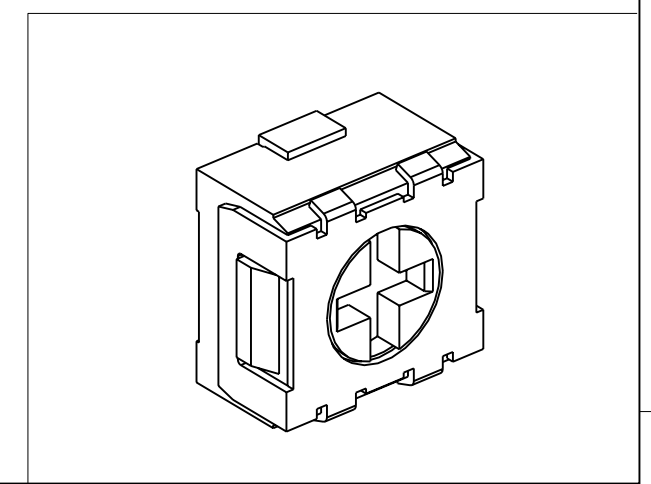
RECOMMENDED LAND PATTERN



CIRCUIT DIAGRAM



RoHS Compliant



THIS DRAWING IS A CONTROLLED DOCUMENT FOR TYCO ELECTRONICS CORPORATION IT IS SUBJECT TO CHANGE AND THE CONTROLLING ENGINEERING ORGANIZATION SHOULD BE CONTACTED FOR THE LATEST REVISION.		DWN SUBHASH.M 13-NOV-08	Tyco Electronics Corporation Dorcan, Swindon, SN3 5HH	
DIMENSIONS: mm		CHK PRAKASH.S 13-NOV-08	NAME SMD TRIMMERS SERIES 3213	
TOLERANCES UNLESS OTHERWISE SPECIFIED:		APVD STEPHEN.P 13-NOV-08	PRODUCT SPEC -	
0 PLC ±0.2		APPLICATION SPEC -		
1 PLC ±0.1		WEIGHT -		
2 PLC ±-		SIZE A3	CAGE CODE 00779	DRAWING NO C=1879029
3 PLC ±-		RESTRICTED TO -		
4 PLC ±-		CUSTOMER DRAWING		
ANGLES ±5°		SCALE 10:1		
FINISH -		SHEET 1 OF 1		
		REV A		

X-ON Electronics

Largest Supplier of Electrical and Electronic Components

Click to view similar products for [Trimmer Resistors - SMD category](#):

Click to view products by [TE Connectivity manufacturer](#):

Other Similar products are found below :

[43WR5KLFTR](#) [5712-305-403E17](#) [TS3YJ501MR15](#) [TS3YJ503MR15](#) [TS4YL203MR10](#) [43WR100KLFTR](#) [G32AT-B101](#) [G32AT-B201](#)
[G32AT-B203](#) [G32AT-B501](#) [G32AT-B503](#) [G32BT-B502](#) [G32BT-B503](#) [G43AT-B201](#) [G43AT-B203](#) [G43BT-B101](#) [G43SAT1-B101](#)
[G43SAT1-B102](#) [G43SAT1-B201](#) [G43SAT1-B202](#) [G43SAT1-B501](#) [G43SAT1-B502](#) [G43SAT1-B503](#) [PVG5A102C03R00](#)
[PVG5A203C03R00](#) [35WR5KLFTR](#) [35WR10KLFTR](#) [35WR1KLFTR](#) [CA6XVSMD-100KA2525](#) [CA6XVSMD-10KA2525](#) [CA6XVSMD-](#)
[2K5A2525](#) [1806WSMD-1K](#) [1806WSMD-5K](#) [1806PSMD-5K](#) [3214G-1-203E](#) [43WR10LFTR](#) [PVG5A202C03R00](#) [PVG5A502C03R00](#)
[PVG3G103C01R00](#) [PVG3A205C01R00](#) [PVG3A200C01R00](#) [TC42X-2-104E](#) [PVG5H102C03B00](#) [3214W-1-103G](#) [3224W-2-101E](#) [3361S-1-](#)
[200GLF](#) [3224W-2-201E](#) [3224W-1-502G](#) [3224W-1-105G](#) [3214X-2-502E](#)