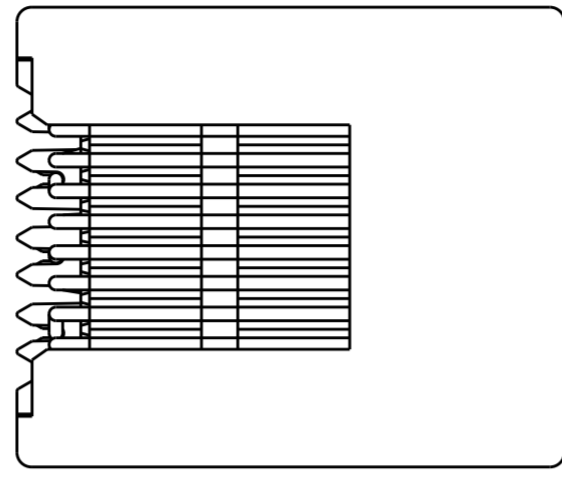
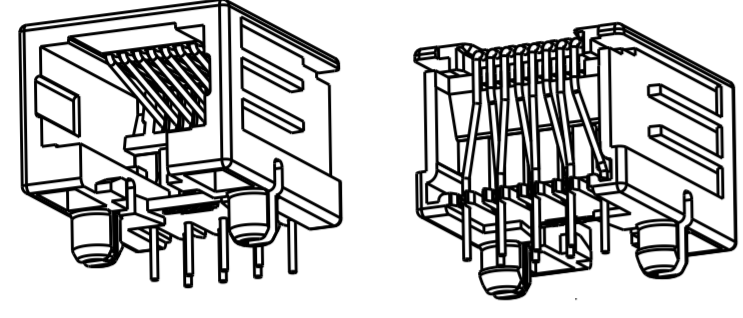


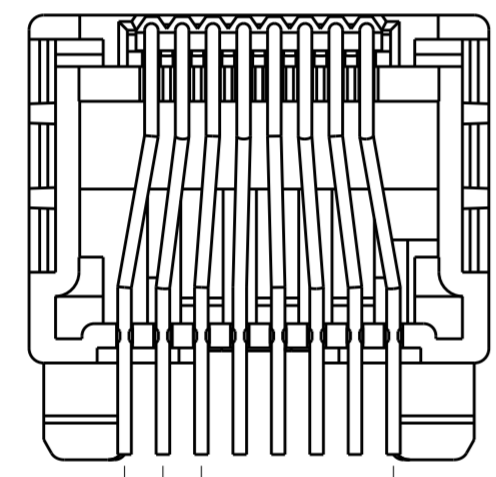
THIS DRAWING IS UNPUBLISHED. RELEASED FOR PUBLICATION
 © COPYRIGHT - ALL RIGHTS RESERVED.

LOC	DIST	REVISIONS			
P	LTR	DESCRIPTION	DATE	DWN	APVD
IR	-	AF	ECR-10-020218	21JUN2011	PS RRP
		AF1	REVISED PER ECO-12-008315	12MAY2015	AD SH

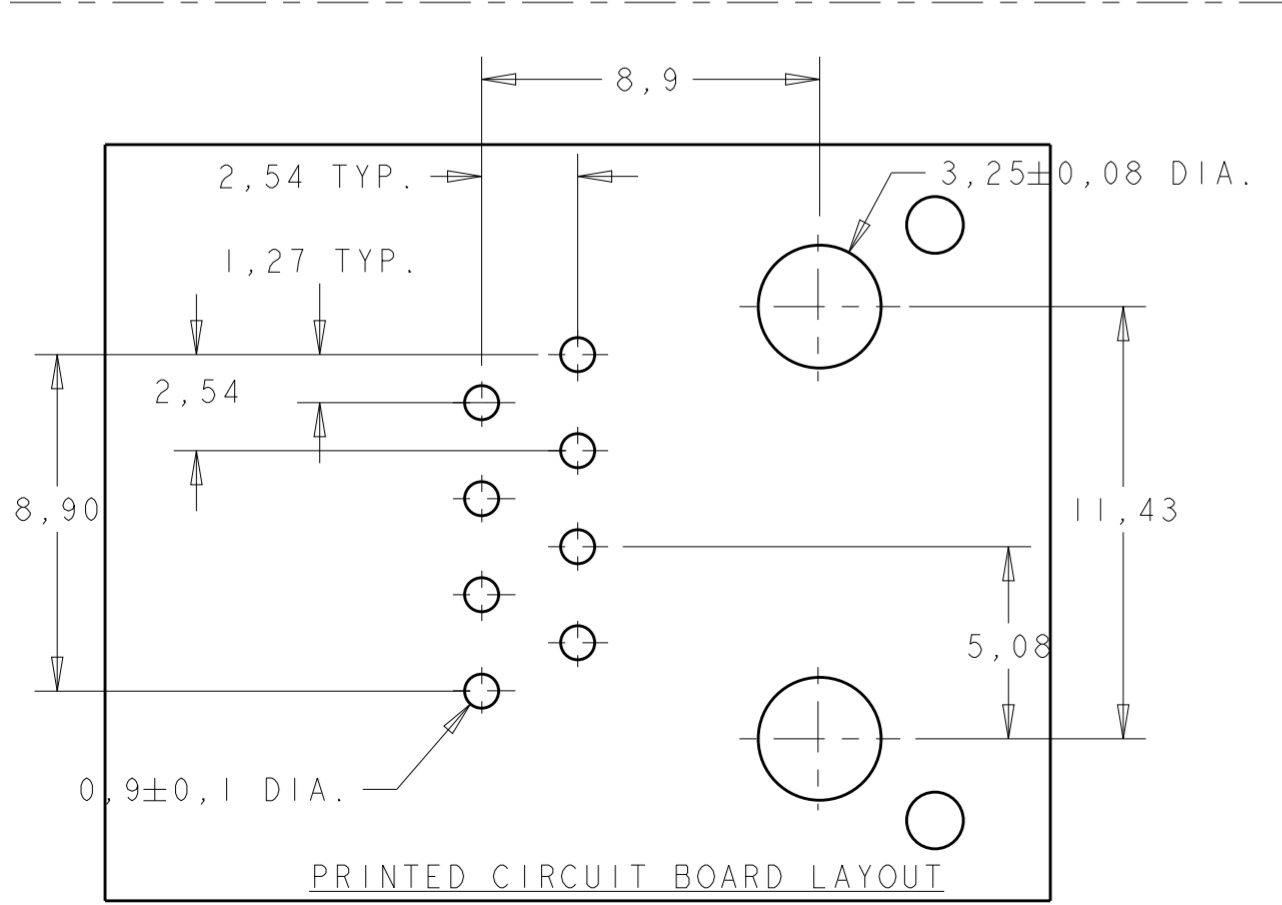
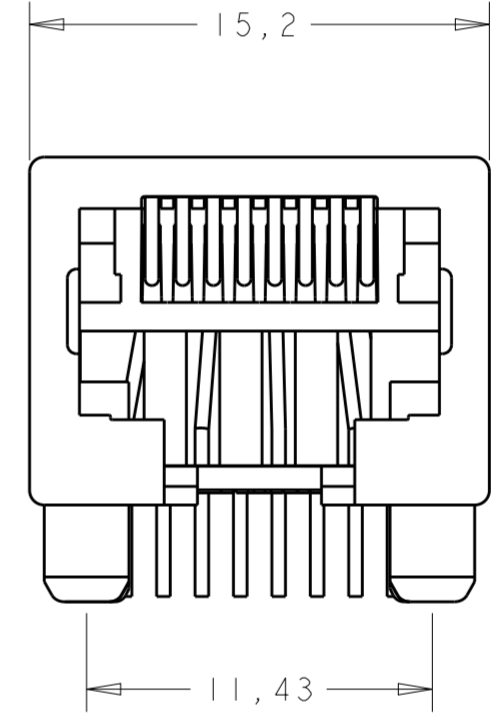
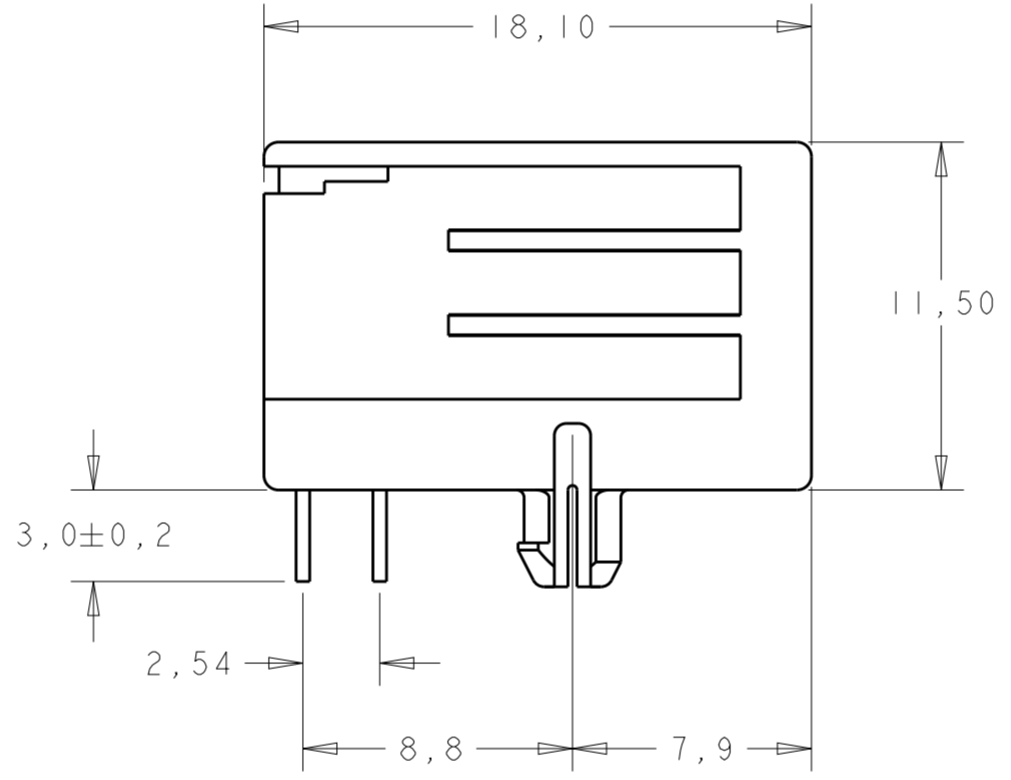


NOTES:

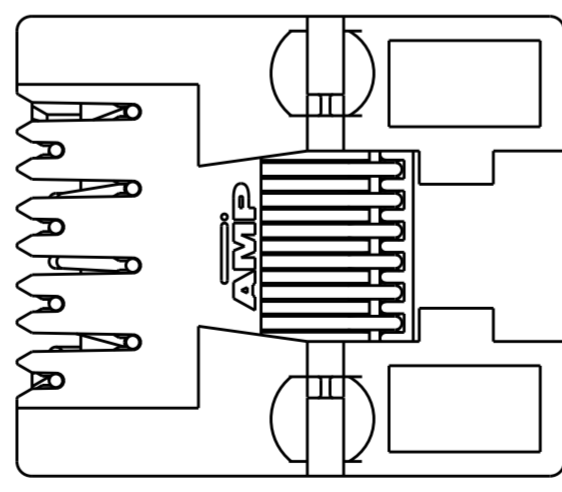
- 1 TOLERANCE UNLESS OTHERWISE SPECIFIED: $\pm 0,15$.
- 2 FOR THIS PACKAGING METHOD THE TRUE POSITION OF THE SOLDER TINES IS NOT GUARANTEED.
- 3 SUPERSEDED BY 1-215877-3



2,54
 1,27 TYP.
 8,9



[VIEW SHOWN IS CIRCUIT (NONCOMPONENT) SIDE OF BOARD.]
 PRINTED CIRCUIT BOARD THICKNESS: 1,6 mm NOMINAL.
 TOLERANCE UNLESS OTHERWISE SPECIFIED: $\pm 0,05$



PACKAGING	REMARKS	FINISH	MATERIAL	ORDER NUMBER
1000 PIECES BULK PACKAGED			HOUSING COLOR: BLUE RAL 5017	4-215877-1
200 PIECES IN A TRAY			HOUSING COLOR: GREY RAL 7035	3-215877-1
TAPE MOUNTED 700 PCS./REEL			HOUSING COLOR: BLACK PBT: UL 94V-0 CONTACT INSERT: PBT: UL 94V-0 CONTACTS: μ n BRONZE	1-215877-3 1-215877-1
				215877-1

THIS DRAWING IS A CONTROLLED DOCUMENT.

DWN: E.v.Eijk
 CHK: M.v.Essen
 APVD: R.Smeets

STE TE Connectivity

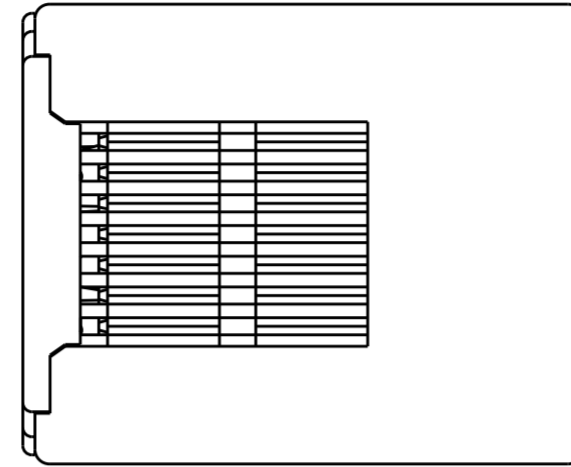
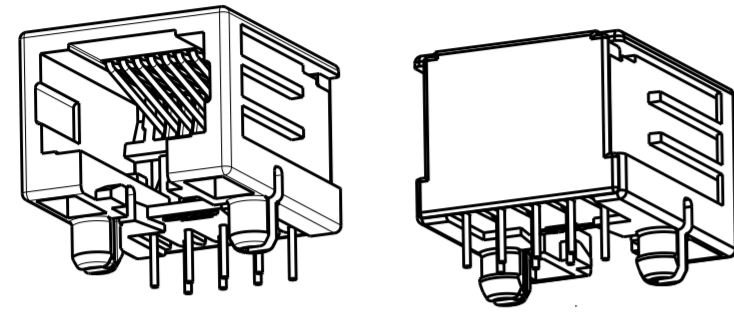
MODULAR JACK, 8 POS SIDE ENTRY FOR PRINTED CIRCUIT BOARD

SIZE: A2 CAGE CODE: C-215877 DRAWING NO: 108-19064 APPLICATION SPEC: 114-19019

SCALE: 4:1 SHEET 1 OF 2 REV: AF1

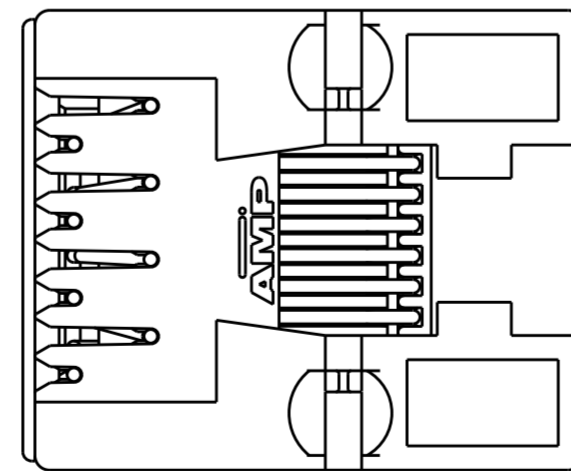
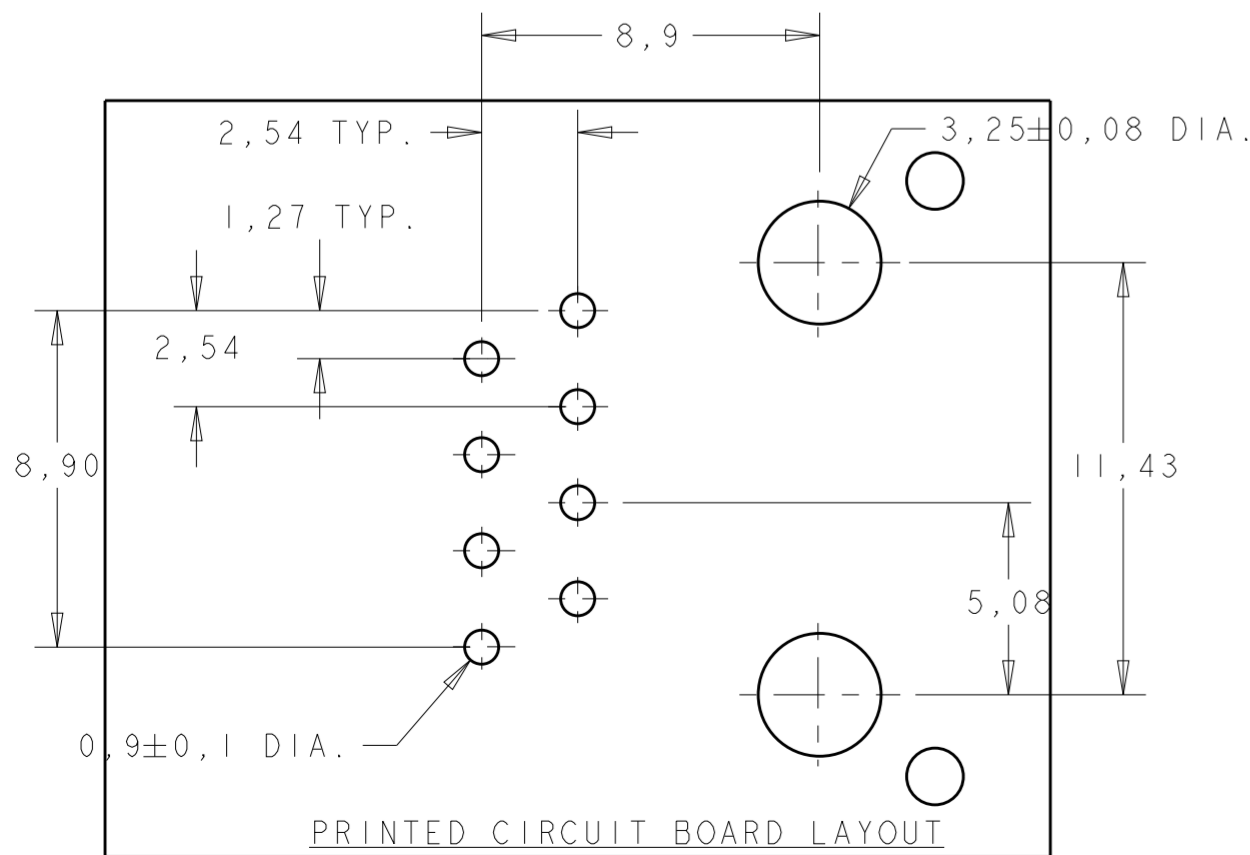
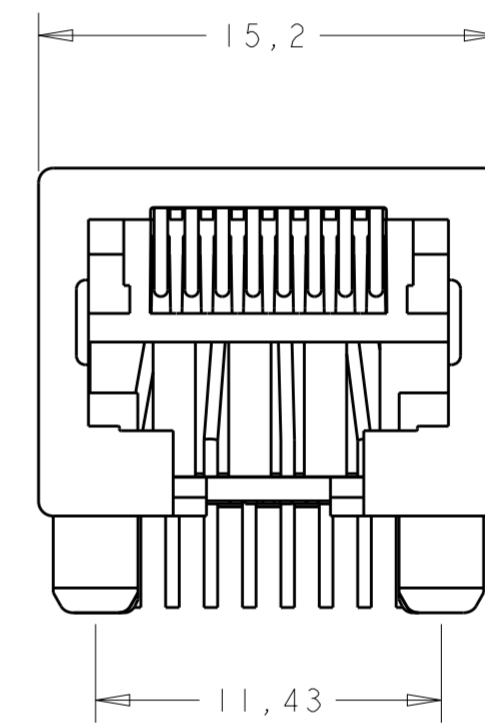
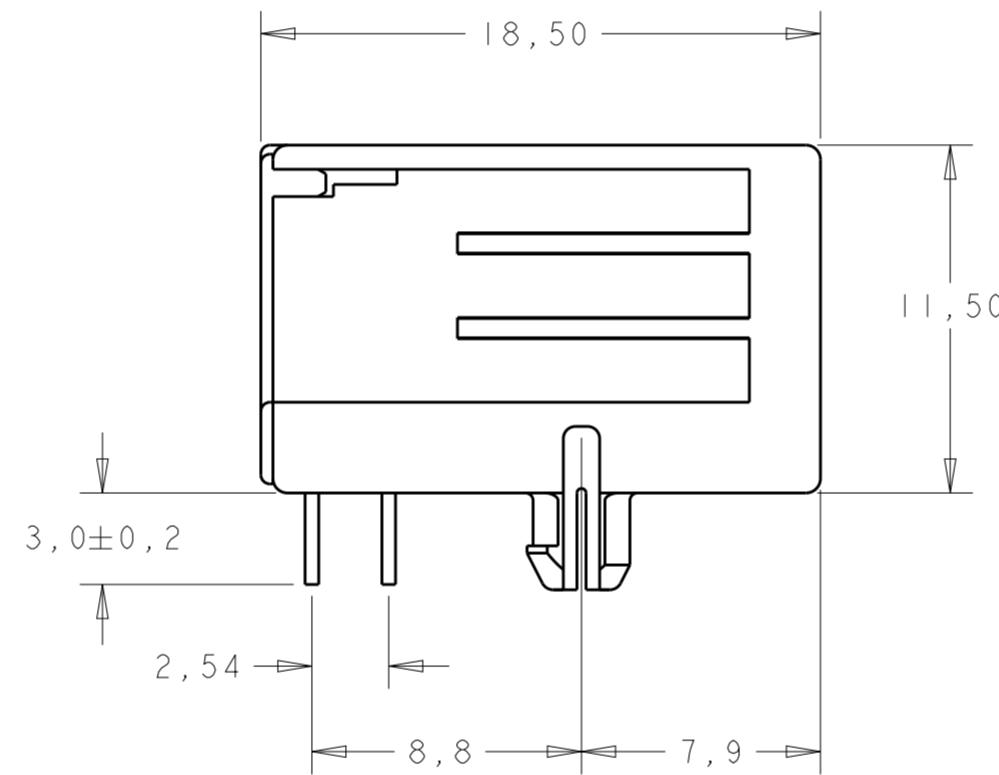
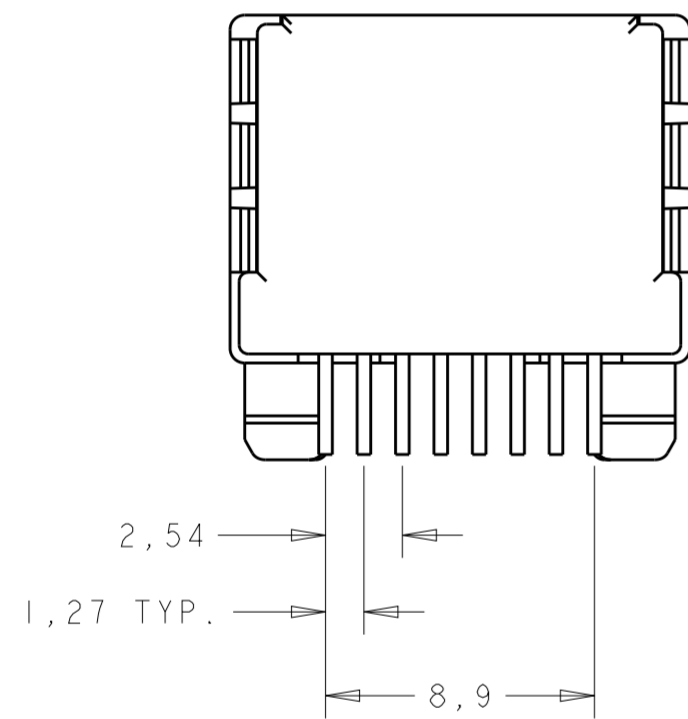
THIS DRAWING IS UNPUBLISHED. RELEASED FOR PUBLICATION
 © COPYRIGHT - ALL RIGHTS RESERVED.

LOC	DIST	REVISIONS			
P	LTR	DESCRIPTION	DATE	DWN	APVD
IR	-	SEE SHEET 1	-	-	-



NOTES:

- 1 TOLERANCE UNLESS OTHERWISE SPECIFIED: $\pm 0,15$.
- 2 FOR THIS PACKAGING METHOD THE TRUE POSITION OF THE SOLDER TINES IS NOT GUARANTEED.



PACKAGING	REMARKS	FINISH	MATERIAL	ORDER NUMBER	
1000 PIECES BULK PACKAGED				INACTIVE 5-215877-3 NOT TOOLED	
200 PIECES IN A TRAY	8 POS. / 8 CONTACTS		IN CONTACT AREA: 1,2µm MIN. SEL. GOLD OVER 1,2µm MIN. NICKEL. SOLDER TINES: 2,5µm MIN. TIN OVER 1,2µm MIN. NICKEL.	HOUSING COLOR: BLACK PBT, UL 94V-0 CONTACT INSERT: PBT, UL 94V-0 CONTACT COVER: BLACK PBT, UL 94V-0 CONTACTS: PH BRONZE	INACTIVE 5-215877-2 NOT TOOLED
TAPE MOUNTED 700 PCS./REEL				INACTIVE 5-215877-1 NOT TOOLED	

THIS DRAWING IS A CONTROLLED DOCUMENT.

DWN: E.v.Fijk	CHK: M.v.Essen	APVD: R.Smeets	TE Connectivity	
DIMENSIONS: mm TOLERANCES UNLESS OTHERWISE SPECIFIED: 0 PLC ± 1 PLC ± 2 PLC ± 3 PLC ± 4 PLC ± ANGLES ± FINISH ±			NAME: MODULAR JACK, 8 POS SIDE ENTRY FOR PRINTED CIRCUIT BOARD SIZE: A2 CAGE CODE: C-215877 DRAWING NO: 108-19064 APPLICATION SPEC: 114-19019 WEIGHT: - SCALE: 4:1 SHEET: 2 OF 2 REV: AFI	
MATERIAL: -			CUSTOMER DRAWING	

X-ON Electronics

Largest Supplier of Electrical and Electronic Components

Click to view similar products for [Modular Connectors / Ethernet Connectors](#) category:

Click to view products by [TE Connectivity](#) manufacturer:

Other Similar products are found below :

[8949-H88/06BLKA/SN](#) [74441-0010/BKN](#) [MP1010RX-1000](#) [MP44RX-1000](#) [PHJ-4P4C-1-V-4](#) [PHP-6P6C-5](#) [GAX-3-66](#) [GAX-8-62](#) [GDCX-PA-66-50](#) [GDCX-PN-64](#) [GDCX-PN-66](#) [GDCX-PN-66-50](#) [GDLX-A-66](#) [GDLX-N-66](#) [GDLX-S-66](#) [GDLX-S-88K](#) [GDLX-SMT-S-88](#) [GDTX-S-88-50](#) [GDX-PA-1010](#) [GLX-N-1010M-BLK](#) [GLX-S-88M-BLK](#) [GMX-N-1010](#) [GMX-S-1010](#) [GMX-S-66](#) [GMX-SMT4-N-88](#) [GPX-2-64](#) [GSGX-N-2-88](#) [GSGX-N-4-88](#) [GSX-NS2-88-3.05](#) [GSX-NS2-88-3.05-50](#) [GSX-NS-88-3.05-50](#) [PT-108A-8C-UL](#) [PT-J951-8C](#) [PTS-J531-8CS-50UL](#) [1-1775629-2](#) [A-2014-0-4](#) [GWLX-S-88-GR](#) [GWLX-S9-88-YG](#) [DC-1021-8-WH-6](#) [1300530003](#) [1324640-4](#) [RJ11FTVC2G](#) [RJ11FTVC2N](#) [RJFTVX2SA1G](#) [132764-001](#) [1413235](#) [MP88X-1000](#) [MPS88RX-5000](#) [E5288-S000K3-L](#) [E5908-15A242-L](#)