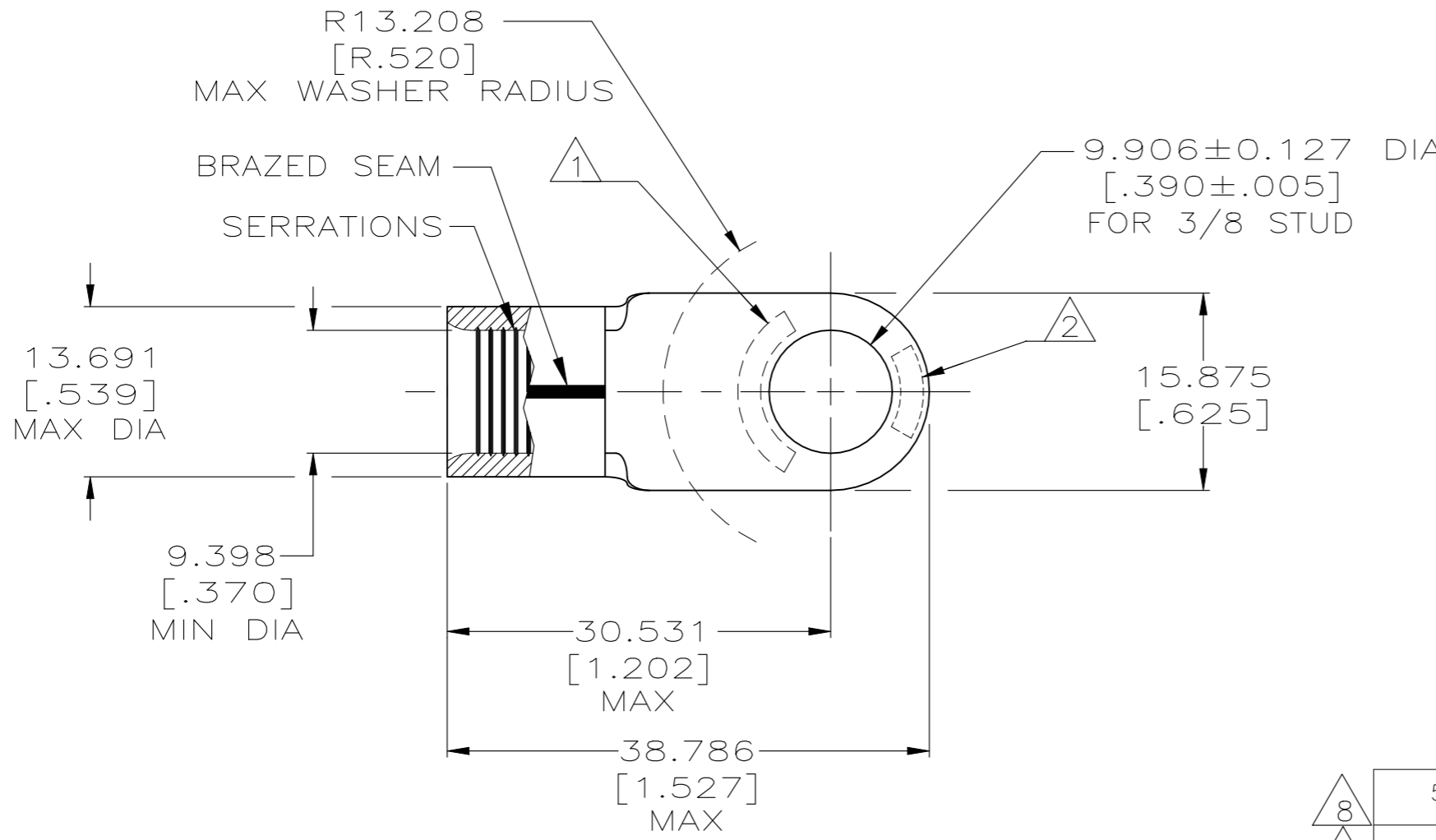


P	LTR	DESCRIPTION	DATE	DWN	APVD
	N3	REVISED PER ECO-17-004099	24AUG2017	BDA	DR
	P	REVISED PER ECO-21-006058	21MAY2021	RK	DR

AMP WIRE RANGE	Listed FILE E13288	LR7189 Certified
2 AWG SOLID OR STRANDED	2 AWG STRANDED	2 AWG SOLID OR STRANDED



- 1 STAMP AMP 2W* APPROX AS SHOWN.
- 2 STAMP 60-75 APPROX AS SHOWN.
- 3 MATERIAL THK: 1.806 ± 0.076 [.070 ± .003].
- 4 FINISH: TIN PLATE 0.00254 [.000100] MIN EXT. THK PER ASTM B545.
- 5 FINISH: GOLD PLATE 0.00127 [.000050] MIN EXT THK PER ASTM B488, TYPE 2, GRADE C, OVER NICKEL PL. 0.00076 [.000030] MIN THK PER SAE AMS QQ-N-290.
- 6 MEETS MS20659-114, CLASS 2.
- 7 NOTE DELETED.
- 8 NOT UL OR CSA APPROVED
- 9 MATERIAL: COPPER PER ASTM B152

QTY	PACKAGE TYPE	FINISH	PART NO
50	LOOSE PIECE	5	2-321600-1
50	LOOSE PIECE	4	321600

CUSTOMER SERVICE SYSTEMS	
FOR ADDITIONAL PRODUCT INFORMATION OR COPIES OF DRAWINGS AND TECHNICAL DOCUMENTS	PRODUCT INFORMATION CENTER 1-800-522-6752
FOR APPLICATION TOOLING INFORMATION	TOOLING ASSISTANCE CENTER 1-800-722-1111
FOR ORDER ENTRY	1-800-526-5142

MAX RECOMMENDED OPERATING TEMPERATURE: 170°C [338°F]
VOLTAGE RATING: N/A
CIRCULAR MIL AREA: 26.7-42.4mm² [52,600-83,700] SOLID OR STRANDED

THIS DRAWING IS A CONTROLLED DOCUMENT.	
DIMENSIONS: mm [INCHES]	TOLERANCES UNLESS OTHERWISE SPECIFIED:
	0 PLC ± -
	1 PLC ± -
	2 PLC ± -
	3 PLC ± 0.127 [.005]
	4 PLC ± -
	ANGLES ± -
MATERIAL - 9	FINISH SEE TABLE

DWN DK SCHRUM 5/25/93	TE Connectivity			
CHK RD HEIM 1/27/94				
APVD J MECKLEY 1/27/94	NAME TERMINAL, RING TONGUE, SOLISTRAND WIRE SIZE: 2 AWG			
PRODUCT SPEC -	SIZE A3	CAGE CODE 00779	DRAWING NO C-321600	RESTRICTED TO -
APPLICATION SPEC -	CUSTOMER DRAWING			SCALE 2:1
WEIGHT	SHEET 1 OF 1		REV P	

X-ON Electronics

Largest Supplier of Electrical and Electronic Components

Click to view similar products for [Terminals](#) category:

Click to view products by [TE Connectivity](#) manufacturer:

Other Similar products are found below :

[00-054007-01074-6](#) [00-054007-70206-1](#) [00-054007-70210-8](#) [00-054007-70217-7](#) [00-054007-70226-9](#) [00-054007-70228-3](#) [00-054007-70248-1](#) [00-054007-70256-6](#) [00-054007-70301-3](#) [00-054007-70316-7](#) [0-0320562-0](#) [00-054007-49560-4](#) [00-054007-70209-2](#) [00-054007-70225-2](#) [00-054007-70227-6](#) [00-054007-70231-3](#) [00-054007-70241-2](#) [00-054007-70242-9](#) [00-054007-70244-3](#) [00-054007-70246-7](#) [00-054007-70263-4](#) [00-054007-70288-7](#) [00-054007-70290-0](#) [00-054007-70300-6](#) [00-054007-70304-4](#) [01-2065-1-0216](#) [01-2900-1-04412](#) [00581P0075](#) [600TS-10](#) [60205-1](#) [604200-1](#) [605601-1](#) [60598-1-CUT-TAPE](#) [61314-6-C](#) [61810-3](#) [61-S](#) [61-SN](#) [626-0194](#) [62-NBM-A](#) [62-SN](#) [62-SP](#) [63-S](#) [640179-1](#) [M55155/059I03](#) [M55155/079C01](#) [M55155/099H02](#) [M55155/109H01](#) [M55155/109H02](#) [M55155/12XH05](#) [M55155/16XH02](#)