

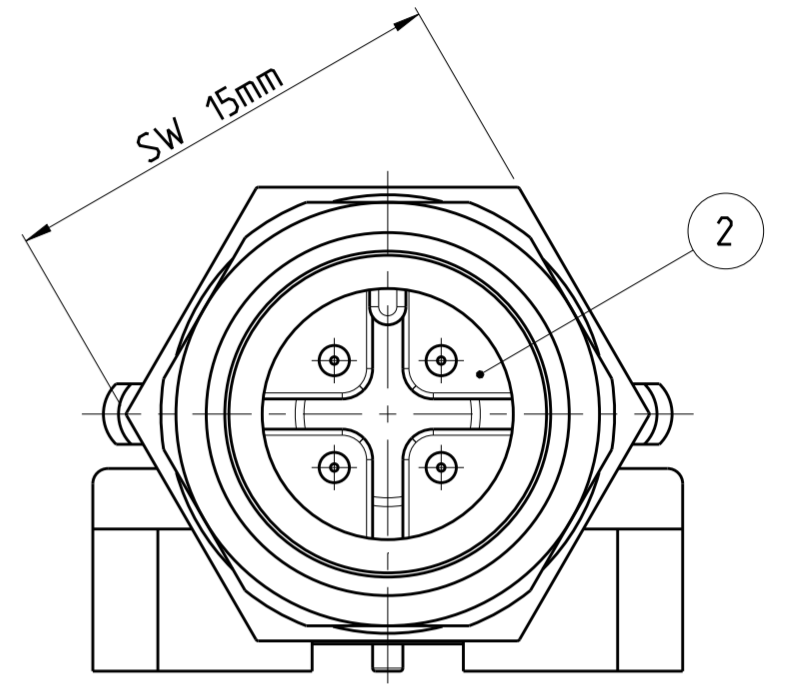
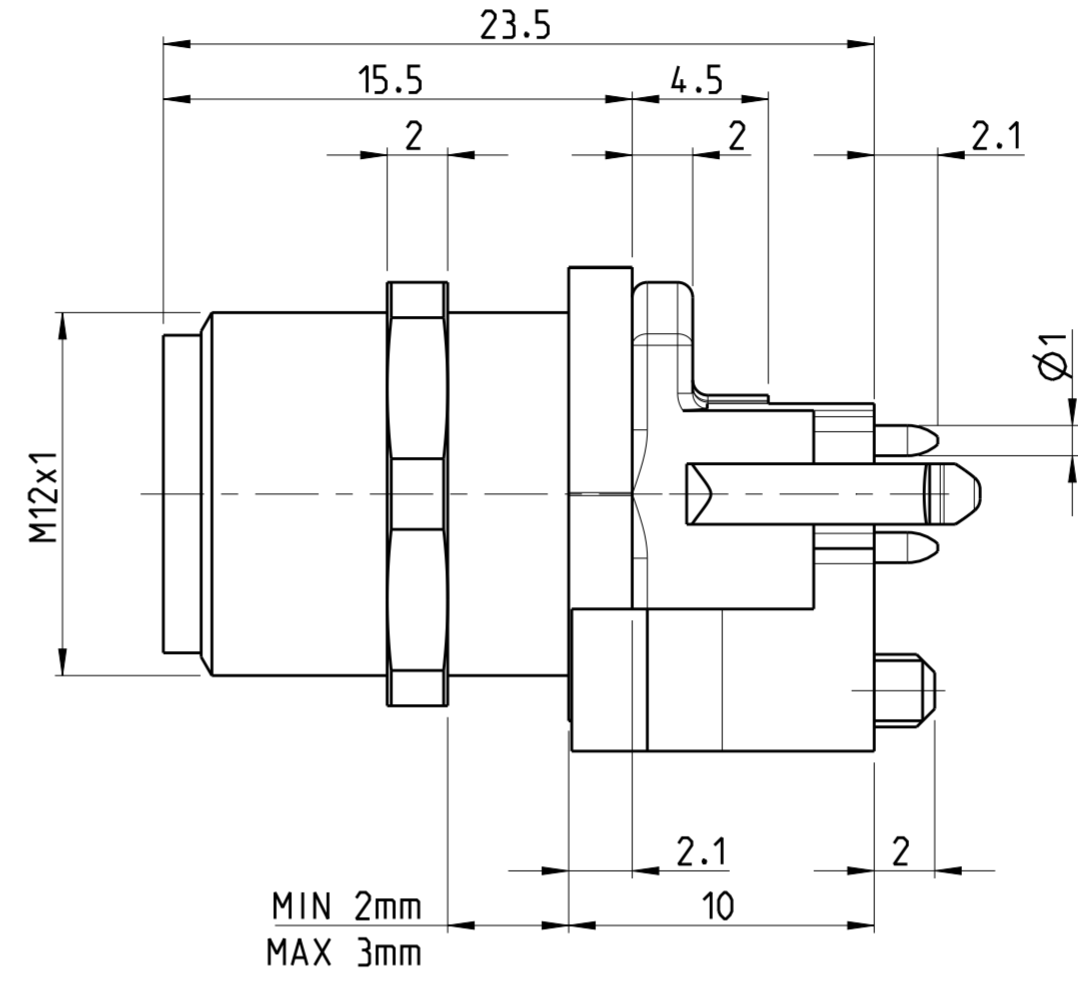
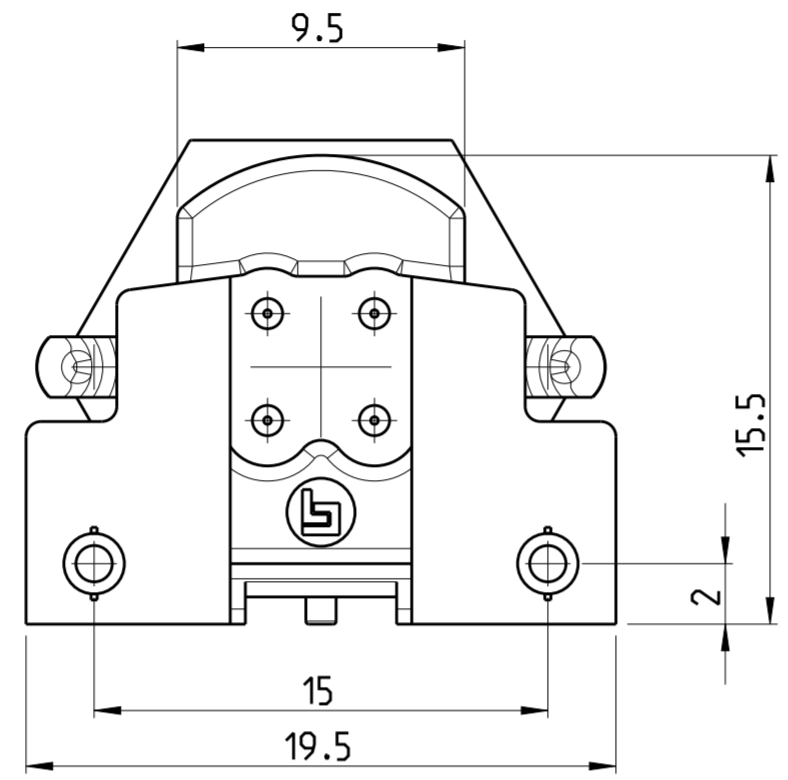
P	LTR	REVISIONS ÄNDERUNGEN DESCRIPTION BESCHREIBUNG	DATE	DWN	APVD
A		NEW RELEASE	04DEC2014	TJ	PS
A1		3-2172070-2 AND 4-2172070-2 DISCONTINUED	23SEP2017	TJ	NG

NOTES:

- 1 MATERIAL: ITEM NO. 1: HOUSING - CuZn (BRASS, NICKEL PLATED)
 ITEM NO. 2: CONTACT BODY - PA
 ITEM NO. 3: CONTACT - CuZn (BRASS)
 CONTACT FINISH - AU (GOLD)

2 ALL DIMENSIONS ARE FOR NOMINAL REFERENCE ONLY UNLESS OTHERWISE STATED

TECHNICAL DATA	3-2172070-2	4-2172070-2	5-2172070-2
RATED VOLTAGE	250V	125V	60V
RATED IMPULSE VOLTAGE	2500V	1500V	800V
POLLUTION DEGREE	3	3	3
OVERVOLTAGE CATEGORY	II	II	II
MATERIAL GROUP	III	III	III
RATED CURRENT	4A	4A	2A
VOLUME RESISTIVITY	≤ 3mΩ	≤ 3mΩ	≤ 3mΩ
DEGREE OF PROTECTION	IP68	IP68	IP68
UPPER TEMPERATURE	+85 °C	+85 °C	+85 °C
LOWER TEMPERATURE	-40 °C	+40 °C	+40 °C

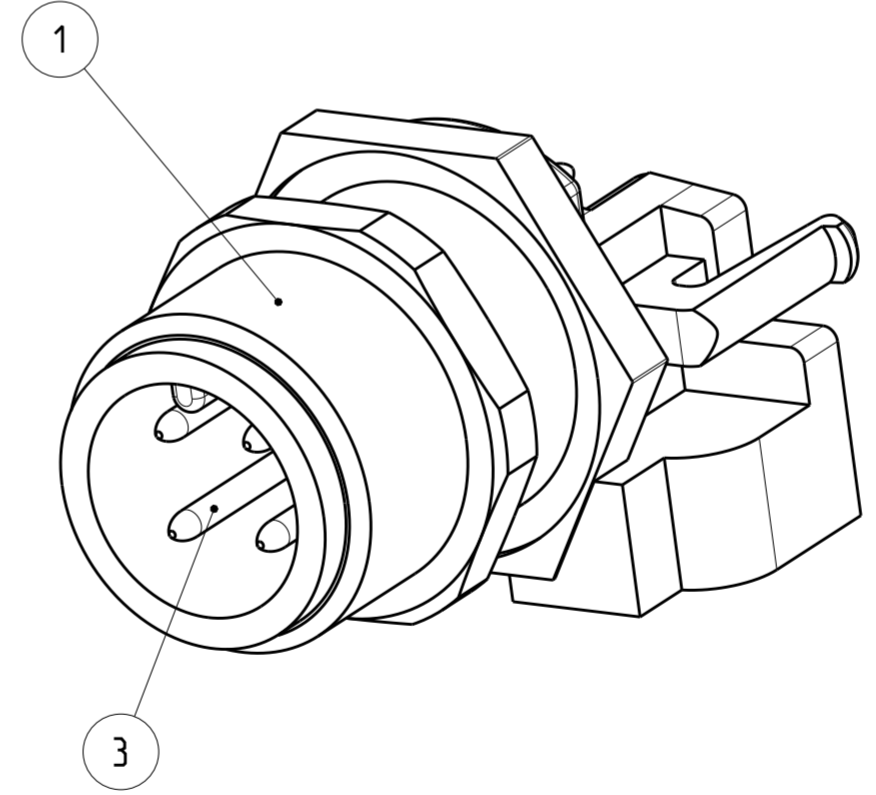


PIN ARRANGEMENT A-CODING (SCALE 2:1)

3-2172070-2	4-2172070-2	5-2172070-2

CONDUCTOR LAYOUT

--	--	--



SIZE ISO 14405 (E)

⚠	8	5-2172070-2
⚠	5	4-2172070-2
⚠	4	3-2172070-2
MATERIAL	NUMBER OF POLES	TE-PART-NO.

DIESE ZEICHNUNG IST EIN KONTROLLIERTES DOKUMENT. BEMASSUNGEN UND TOLERANZEN GEMAESS GPS (ISO STANDARDS). THIS DRAWING IS A CONTROLLED DOCUMENT. DIMENSIONING AND TOLERANCING PER GPS (ISO STANDARDS).

DIMENSIONS: MASSE/MAßEN: (MM) TOLERANCES UNLESS OTHERWISE SPECIFIED: ALLGEMEINTOLERANZEN

0 PLC ±
1 PLC ±
2 PLC ±
3 PLC ±
4 PLC ±
ANGLES/WINKEL ±
FINISH/OBERFLÄCHE/FARBE

DWN YASHKUMAR 24 JUL 2014
CHK M. BRUBAKER 24 JUL 2014
APVD M. BRUBAKER 24 JUL 2014

PRODUCT SPEC 108-19483
APPLICATION SPEC 114-32127

MATERIAL SEE NOTES
FINISH/OBERFLÄCHE/FARBE SEE NOTES

Customer Drawing

STE TE Connectivity

NAME M12 RECEPTACLE, MALE, PCB MOUNT, STRAIGHT, A-CODED

SIZE A2 CAGE CODE 00779 DRAWING NO. ZEICHNUNGS-NR. C-2172070 RESTRICTED TO NUR FÜR -

SCALE MASSSTAB 4:1 SHEET BLATT 1 OF 1 REV A1

X-ON Electronics

Largest Supplier of Electrical and Electronic Components

Click to view similar products for [Circular Metric Connectors](#) category:

Click to view products by [TE Connectivity](#) manufacturer:

Other Similar products are found below :

[600X518037X](#) [6STD15PCR99B70A](#) [8R4000A16M020](#) [8R5000A16M005](#) [1200910002](#) [1203580030](#) [1200910008](#) [1200910011](#) [1300140094](#)
[130203-0054](#) [1300140026](#) [1300150099](#) [RF-12S1N8A90DU](#) [1-3637-600-5205](#) [1612618](#) [21036836414](#) [8R4006A16M010](#) [8R5006A18A120](#)
[1604232](#) [1R3006A20M005](#) [RF-12P1N8A80DU](#) [RF-12P1N8A90DU](#) [41-40011](#) [42-01015](#) [4-22279-4](#) [4-22281-1](#) [4-22284-9](#) [43-00113](#) [43-](#)
[01088](#) [43-01203](#) [41-40013](#) [42-00008](#) [43-00343](#) [43-01032](#) [43-01162](#) [43-10000](#) [600X518050X](#) [SACC-DSI-FS-5P-PG9-L180 SC](#)
[8R5006A16M020](#) [8R5006A16M005](#) [8R4000A16M010](#) [6-22279-3](#) [1605332](#) [N03FA03144](#) [1300140077](#) [43-01338](#) [XS2RD4265](#) [RSC 4/9](#)
[XS2R-D426-1](#) [XS8A-0441](#)