

THIS DRAWING IS UNPUBLISHED.  
VERTRÄULICHE UNVERÖFFENTLICHTE ZEICHNUNG  
© COPYRIGHT 2014 Tyco Electronics AMP GmbH

RELEASED FOR PUBLICATION  
FREI FUER VERÖFFENTLICHUNG  
2014  
ALL RIGHTS RESERVED.  
ALLE RECHTE VORBEHALTEN.

MATED WITH:  
PASSEND ZU:

DIESE ZEICHNUNG IST EIN KONTROLLIERTES DOKUMENT.  
BEMASSUNGEN UND TOLERANZEN GEMAESS GPS (ISO STANDARDS).

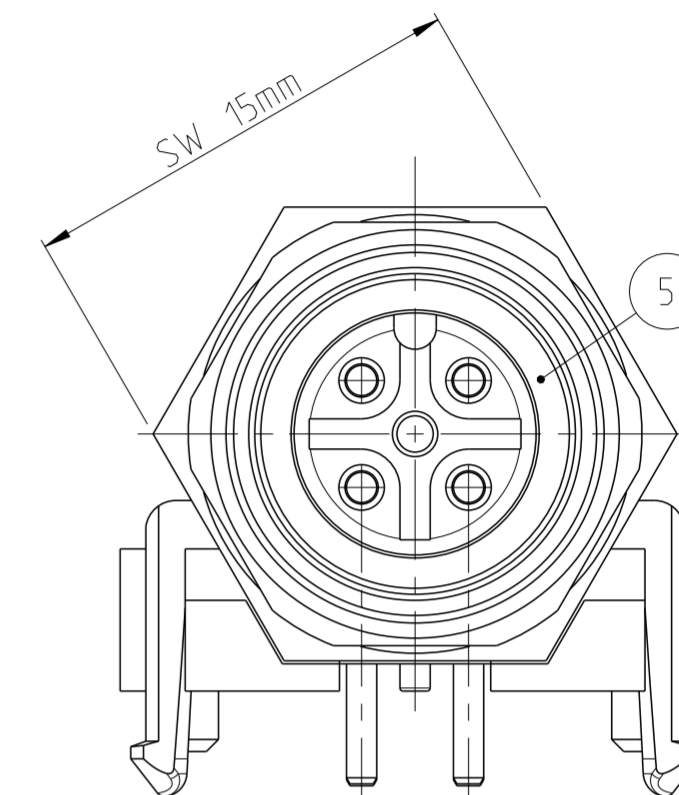
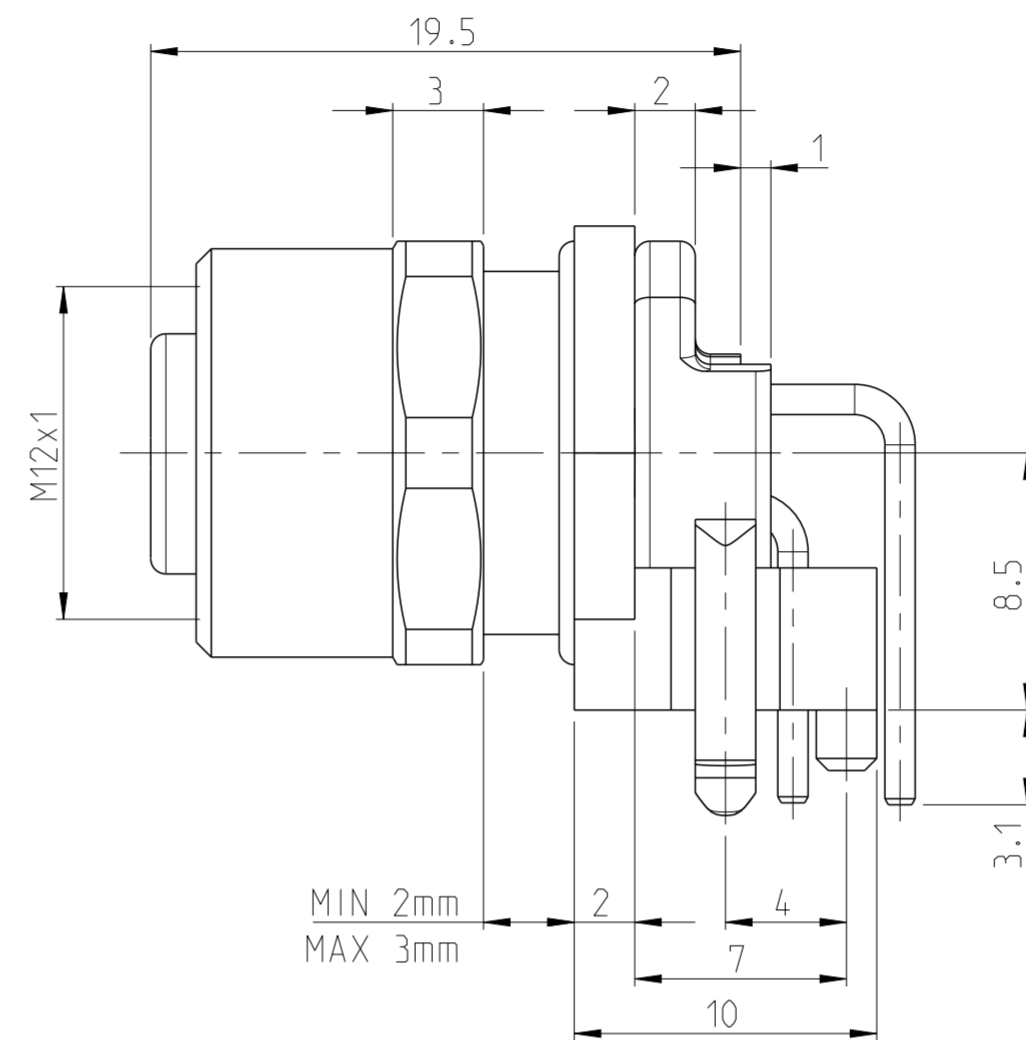
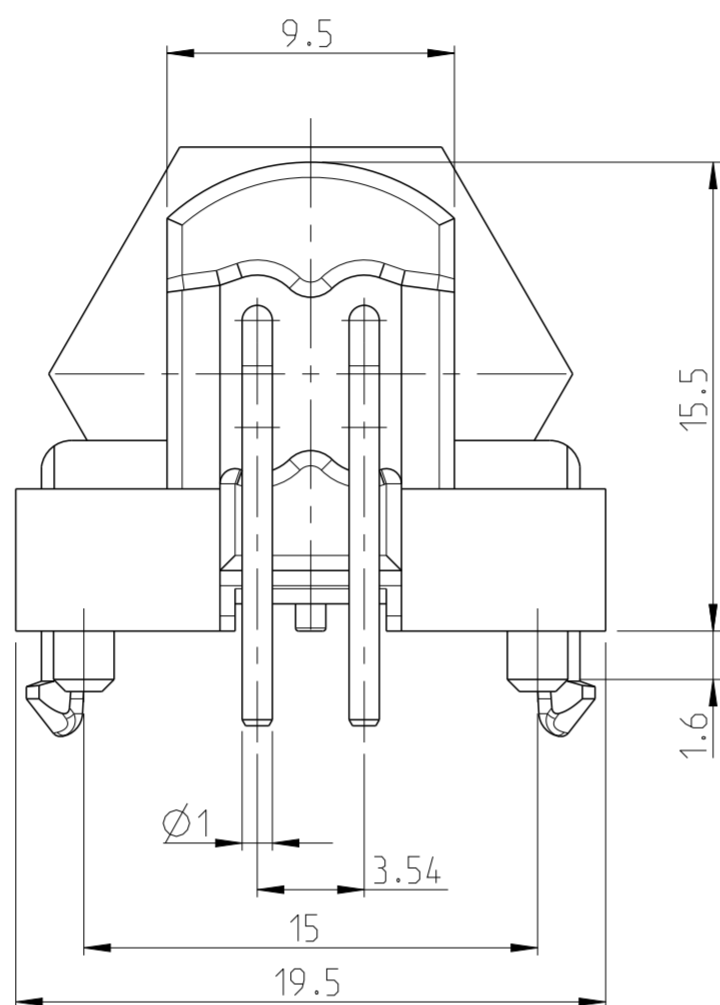
PROJEKT NR.:  
PRJ-11-000004377

P	LTR	DESCRIPTION ÄNDERUNGEN BESCHREIBUNG	DATE	DWN	APVD
A		NEW RELEASE	27NOV2014	CR	JK
A1		NUT SHELL AND 5P HOUSING PN INTRODUCED	23SEP2015	TJ	NG
A2		SEAL QTY, MATERIAL DETAILS ADDED IN NOTES	10JAN2018	TJ	NG

- 1 MATERIAL:
- ITEM NO. 1: NUT SHELL - CuZn (BRASS, NICKEL PLATED)
  - ITEM NO. 2: HOUSING - PA
  - ITEM NO. 3: CONTACT - CuZn (BRASS)
  - ITEM NO. 4: SEAL LARGE - NBR (QTY-1)
  - ITEM NO. 5: SEAL SMALL - FPM (QTY-1)
  - CONTACT FINISH - Au (GOLD)

2 ALL DIMENSIONS ARE FOR NOMINAL REFERENCE ONLY UNLESS OTHERWISE STATED

TECHNICAL DATA	3-2172079-2	4-2172079-2	5-2172079-2
RATED VOLTAGE	250V	125V	60V
RATED IMPULSE VOLTAGE	2500V	1500V	800V
POLLUTION DEGREE	3	3	3
OVERVOLTAGE CATEGORY	II	II	II
MATERIAL GROUP	III	III	III
RATED CURRENT	4A	4A	2A
VOLUME RESISTIVITY	≤ 3mΩ	≤ 3mΩ	≤ 3mΩ
DEGREE OF PROTECTION	IP68	IP68	IP68
UPPER TEMPERATURE	+85 °C	+85 °C	+85 °C
LOWER TEMPERATURE	-40 °C	+40 °C	+40 °C

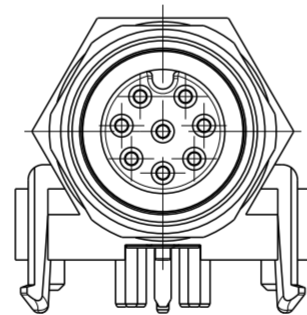
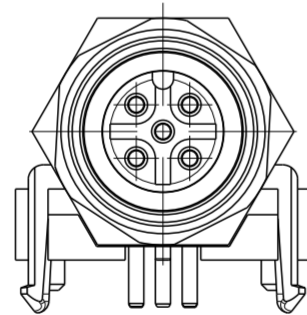
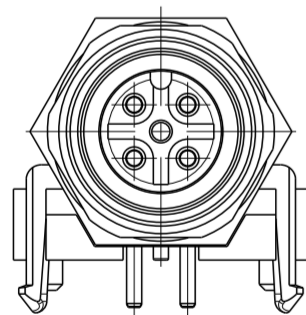


### PIN ARRANGEMENT A-CODING (SCALE 2:1)

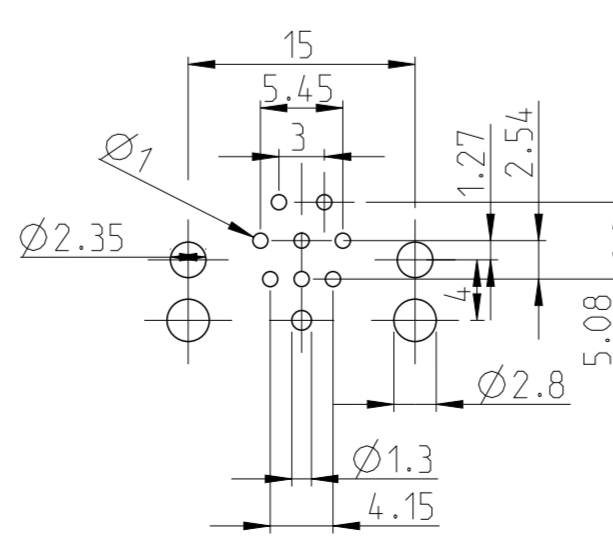
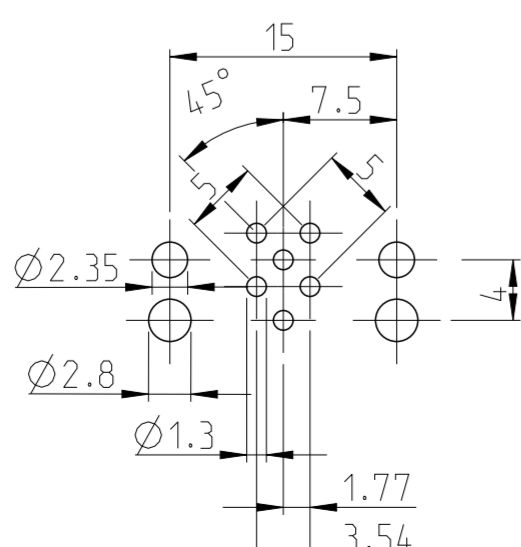
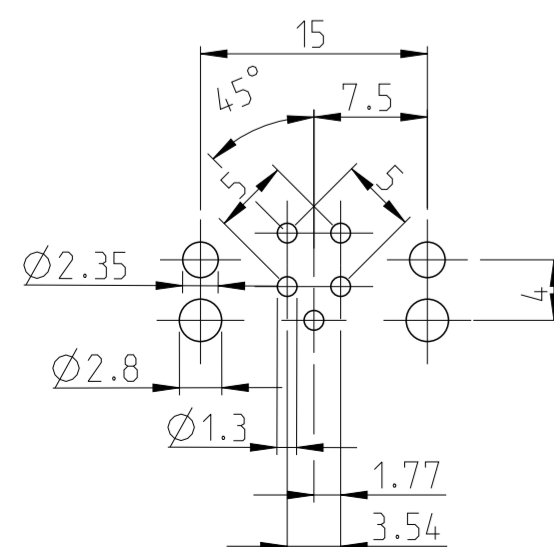
3-2172079-2

4-2172079-2

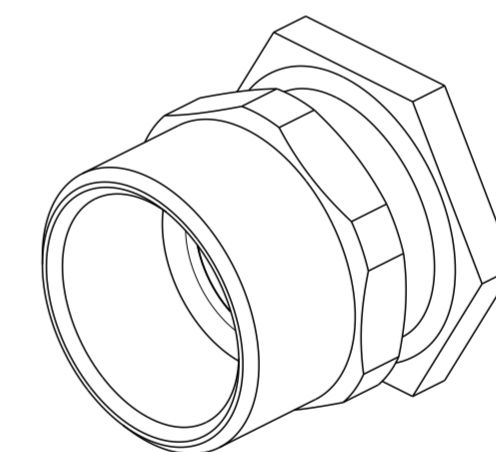
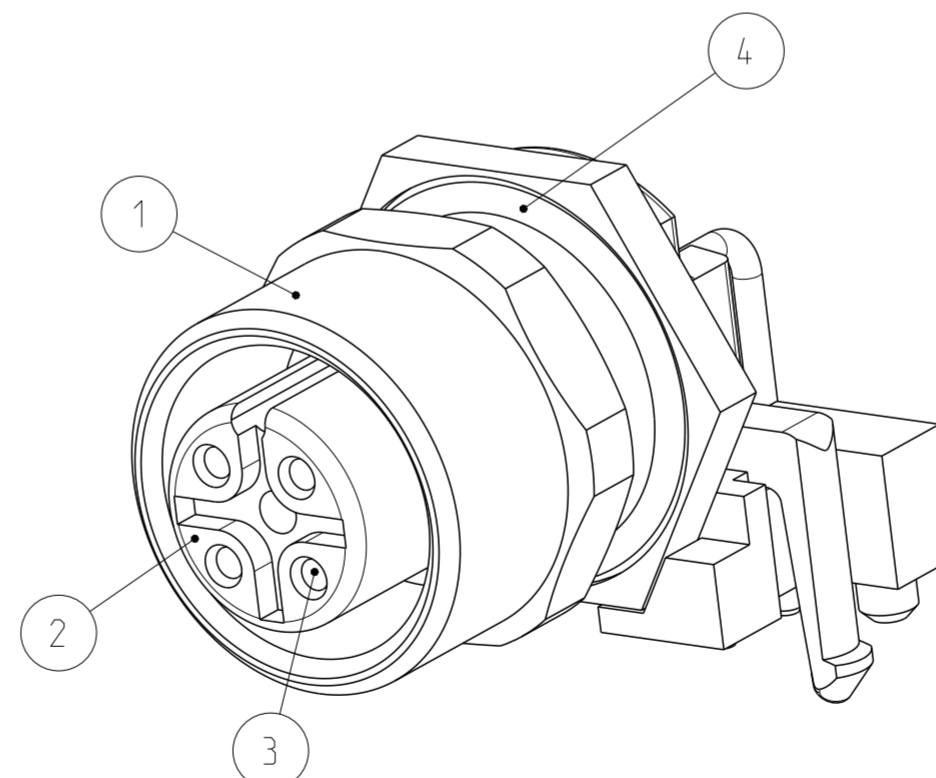
5-2172079-2



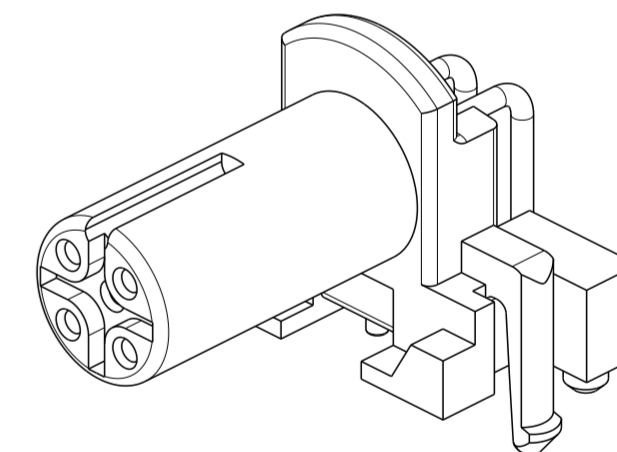
### CONDUCTOR LAYOUT



ALSO SOLD SEPARATELY



NUT SHELL  
PN 2172079-3



REFER TABLE FOR  
HOUSING PN

⚠	8	5-2172079-2	
⚠	5	4-2172079-2	4-2172079-3
⚠	4	3-2172079-2	
MATERIAL	NUMBER OF POLES	PART NUMBER	HOUSING PN

DIMENSIONS: MASSEINHEITEN: (MM)		TOLERANCES UNLESS OTHERWISE SPECIFIED: ALLGEMEINTOLERANZEN
0 PLC	±	
1 PLC	±	
2 PLC	±	
3 PLC	±	
4 PLC	±	
ANGLES/WINKEL	±	
FINISH/OBERFLÄCHE/FARBE		

DWN	YASHKUMAR	09AUG2014	
CHK	M. BRUBAKER	09AUG2014	
APVD	M. BRUBAKER	09AUG2014	
PRODUCT SPEC	108-19483		
APPLICATION SPEC	114-32127		
WEIGHT	-		
Customer Drawing	/KUNDENZEICHNUNG	SCALE MASSSTAB 3:1	SHEET BLATT 1 OF 1



M12 RECEPTACLE, FEMALE, PCB MOUNT,  
PANEL MOUNT, ANGLED, SHIELDED,  
WITH STANDOFF, A-CODED

SIZE	A2	CAGE CODE	00779	DRAWING NO. ZEICHNUNGS-NR.	C-2172079	RESTRICTED TO NUR FUER	-
REV	A2						

SIZE ISO 14405 (E)

## X-ON Electronics

Largest Supplier of Electrical and Electronic Components

*Click to view similar products for [Circular Metric Connectors](#) category:*

*Click to view products by [TE Connectivity](#) manufacturer:*

Other Similar products are found below :

[600X518037X](#) [6STD15PCR99B70A](#) [8R4000A16M020](#) [8R5000A16M005](#) [1200910002](#) [1203580030](#) [1200910008](#) [1200910011](#) [1300140094](#)  
[130203-0054](#) [1300140026](#) [1300150099](#) [RF-12S1N8A90DU](#) [1-3637-600-5205](#) [1612618](#) [21036836414](#) [8R4006A16M010](#) [8R5006A18A120](#)  
[1604232](#) [1R3006A20M005](#) [RF-12P1N8A80DU](#) [RF-12P1N8A90DU](#) [41-40011](#) [42-01015](#) [4-22279-4](#) [4-22281-1](#) [4-22284-9](#) [43-00113](#) [43-](#)  
[01088](#) [43-01203](#) [41-40013](#) [42-00008](#) [43-00343](#) [43-01032](#) [43-01162](#) [43-10000](#) [600X518050X](#) [SACC-DSI-FS-5P-PG9-L180 SC](#)  
[8R5006A16M020](#) [8R5006A16M005](#) [8R4000A16M010](#) [6-22279-3](#) [1605332](#) [N03FA03144](#) [1300140077](#) [43-01338](#) [XS2RD4265](#) [XS2R-](#)  
[D426-1](#) [XS8A-0441](#) [859RD04-103R004](#)