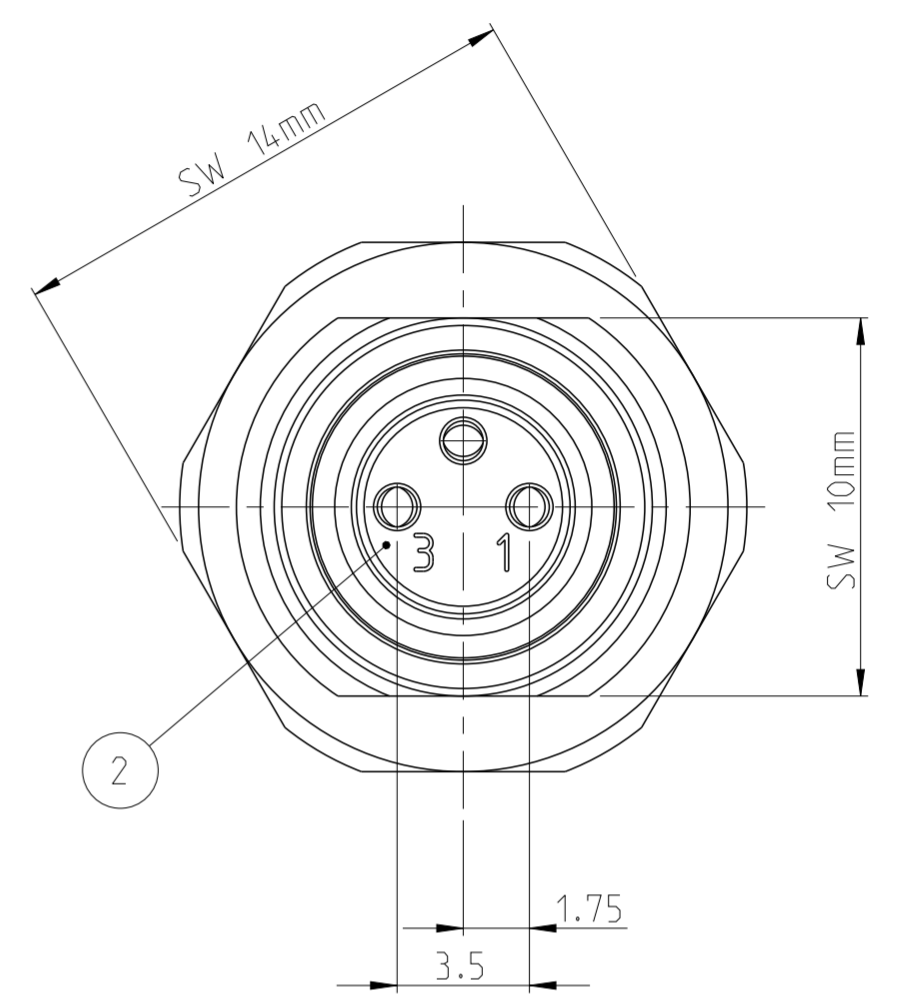
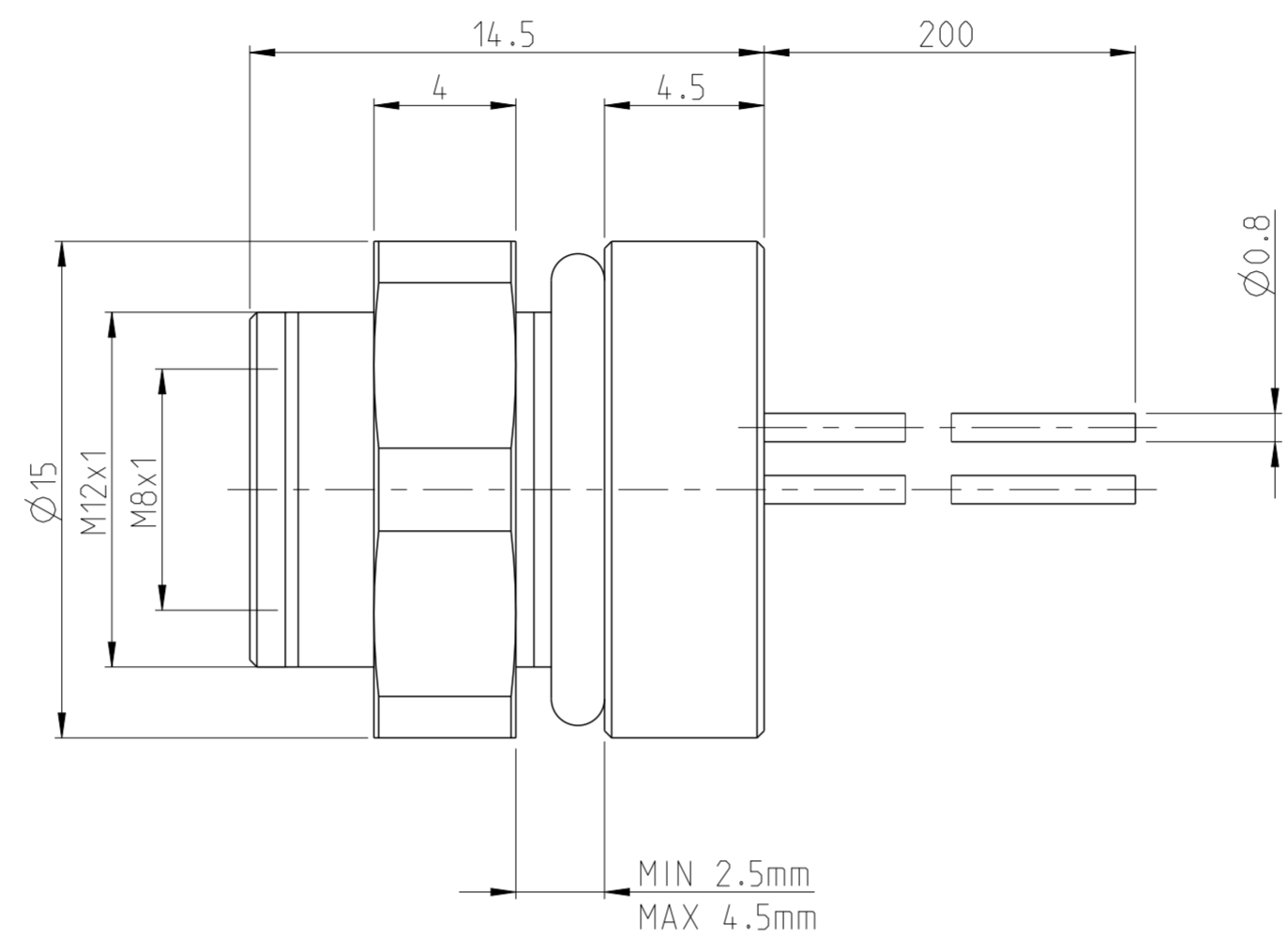


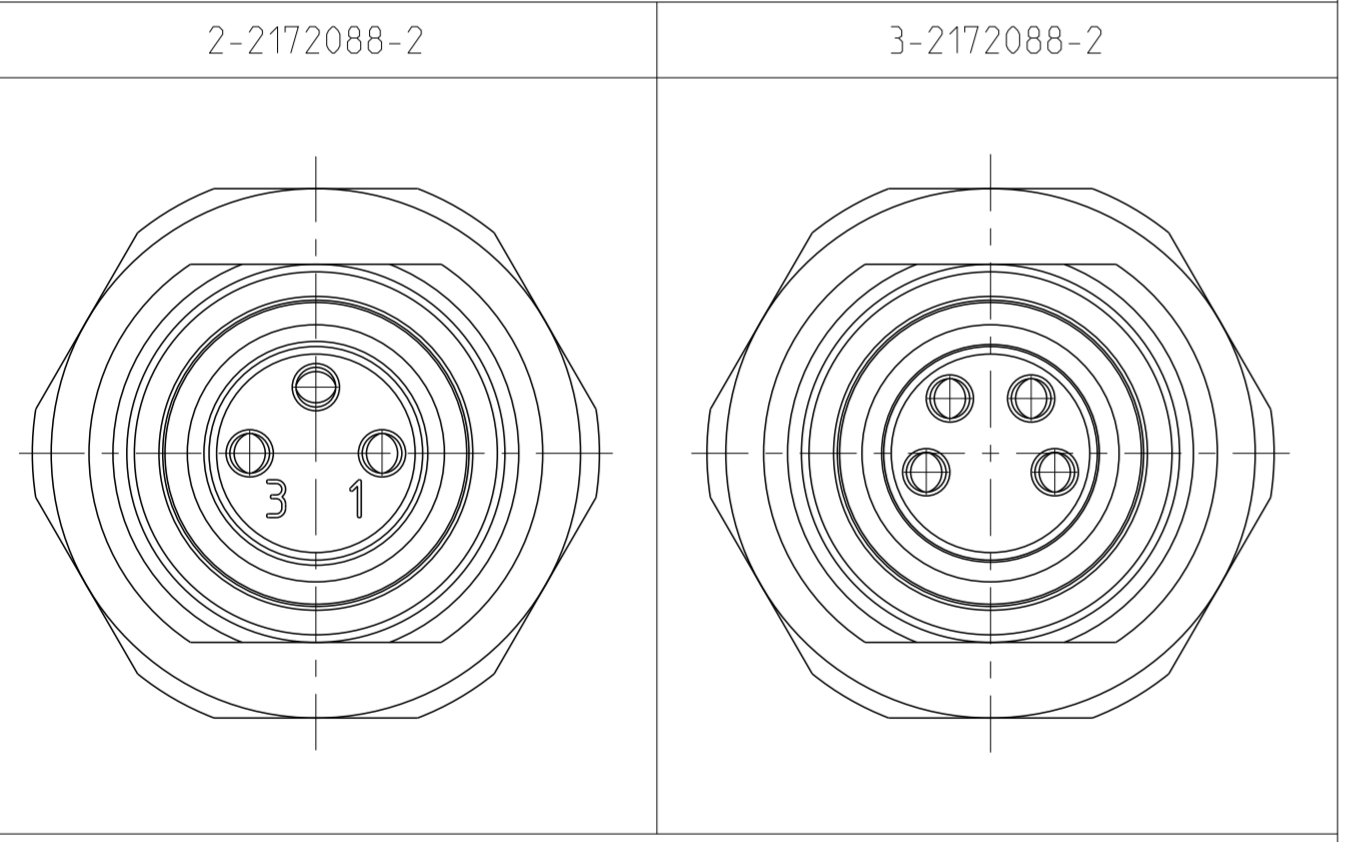
| P | LTR | REVISIONS AENDERUNGEN | DESCRIPTION | DATE | DWN | APVD |
|---|-----|---------------------------|-------------|-----------|-----|------|
| | A | NEW RELEASE | | 04DEC2014 | TJ | PS |
| | A1 | P/N 3-2172088-2 OBSOLETED | | 27OCT2017 | TJ | NG |

NOTES:
 1 MATERIAL: ITEM NO. 1: HOUSING - CuZn (BRASS NICKEL PLATED)
 ITEM NO. 2: CONTACT BODY - PA
 ITEM NO. 3: CONTACT - CuSn (BRONZE)
 CONTACT FINISH - Au (GOLD)
 2 ALL DIMENSIONS ARE FOR NOMINAL REFERENCE ONLY UNLESS OTHERWISE STATED

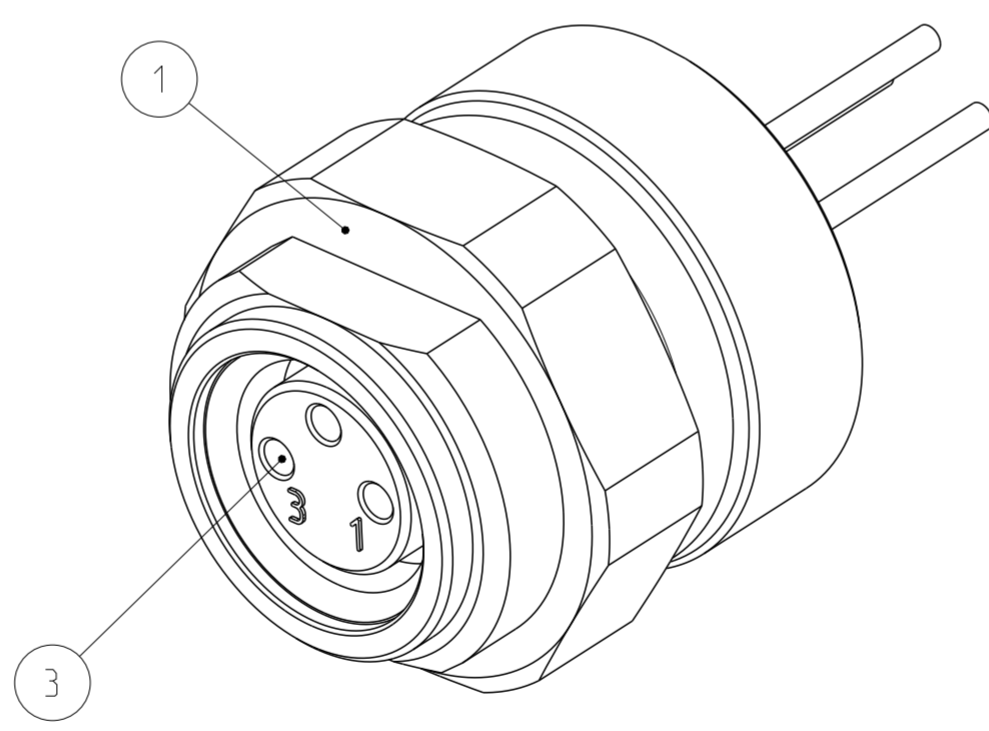
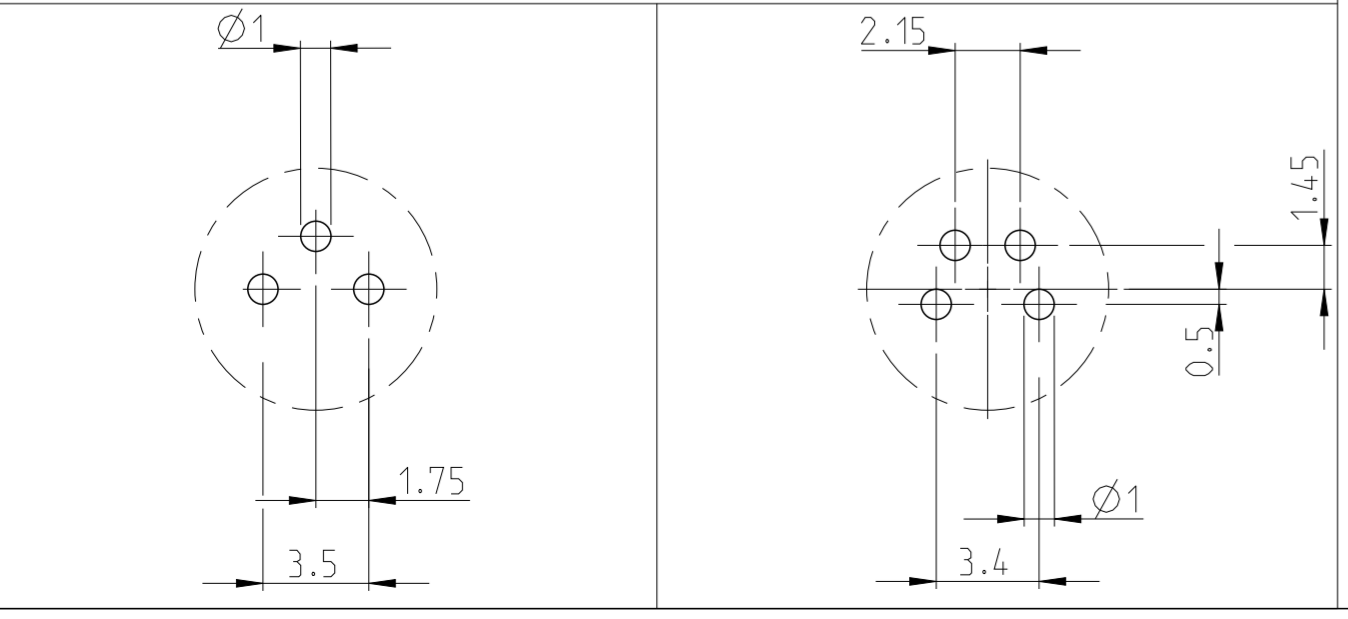
| TECHNICAL DATA | 2-2172088-2 | 3-2172088-2 |
|-----------------------|-------------|-------------|
| RATED VOLTAGE | 60V | 30V |
| RATED IMPULSE VOLTAGE | 800V | 800V |
| POLLUTION DEGREE | 3 | 3 |
| OVERVOLTAGE CATEGORY | II | II |
| MATERIAL GROUP | II | II |
| RATED CURRENT | 4A | 4A |
| VOLUME RESISTIVITY | ≤ 3mΩ | ≤ 3mΩ |
| DEGREE OF PROTECTION | IP67 | IP67 |
| UPPER TEMPERATURE | +85 °C | +85 °C |
| LOWER TEMPERATURE | -40 °C | +40 °C |



PIN ARRANGEMENT



CONDUCTOR LAYOUT



SIZE ISO 14405 (E)

| | | | |
|--|------------------|--------------------------------------|---|
| DIESE ZEICHNUNG IST EIN KONTROLLIERTES DOKUMENT. BEMASSUNGEN UND TOLERANZEN GEMAESS GPS (ISO STANDARDS). | | DWN YASHKUMAR 13SEP2014 | |
| THIS DRAWING IS A CONTROLLED DOCUMENT. DIMENSIONING AND TOLERANCING PER GPS (ISO STANDARDS). | | CHK M. BRUBAKER 13SEP2014 | |
| DIMENSIONS: MASSEINHEITEN: (MM) | | APVD M. BRUBAKER 13SEP2014 | |
| TOLERANCES UNLESS OTHERWISE SPECIFIED: ALLGEMEINTOLERANZEN | | NAME | |
| 0 PLC ± | 1 PLC ± | M8 RECEPTACLE, FEMALE, WIRE | |
| 2 PLC ± | 3 PLC ± | PANEL REAR MOUNT | |
| 4 PLC ± | ANGLES/WINKEL ± | SIZE A2 | CAGE CODE 00779 |
| FINISH/OBERFLAECHE/FARBE | WEIGHT GEWICHT - | DRAWING NO. ZEICHNUNGS-NR. C-2172088 | RESTRICTED TO NUR FUER - |
| SEE NOTES | SEE NOTES | Customer Drawing | SCALE MASSTAB 4:1 SHEET BLATT 1 OF VON 1 REV A1 |

| | | |
|----------|-----------------|-------------|
| OBSOLETE | 4 | 3-2172088-2 |
| | 3 | 2-2172088-2 |
| MATERIAL | NUMBER OF POLES | TE-PART-NO. |



X-ON Electronics

Largest Supplier of Electrical and Electronic Components

Click to view similar products for [Circular Metric Connectors](#) category:

Click to view products by [TE Connectivity](#) manufacturer:

Other Similar products are found below :

[600X518037X](#) [6STD15PCR99B70A](#) [8R4000A16M020](#) [8R5000A16M005](#) [1200910002](#) [1203580030](#) [1200910008](#) [1200910011](#) [1300140094](#)
[130203-0054](#) [1300140026](#) [1300150099](#) [RF-12S1N8A90DU](#) [1-3637-600-5205](#) [1612618](#) [21036836414](#) [8R4006A16M010](#) [8R5006A18A120](#)
[1604232](#) [1R3006A20M005](#) [RF-12P1N8A80DU](#) [RF-12P1N8A90DU](#) [41-40011](#) [42-01015](#) [4-22279-4](#) [4-22281-1](#) [4-22284-9](#) [43-00113](#) [43-](#)
[01088](#) [43-01203](#) [41-40013](#) [42-00008](#) [43-00343](#) [43-01032](#) [43-01162](#) [43-10000](#) [600X518050X](#) [SACC-DSI-FS-5P-PG9-L180 SC](#)
[8R5006A16M020](#) [8R5006A16M005](#) [8R4000A16M010](#) [6-22279-3](#) [1605332](#) [N03FA03144](#) [1300140077](#) [43-01338](#) [XS2RD4265](#) [RSC 4/9](#)
[XS2R-D426-1](#) [XS8A-0441](#)